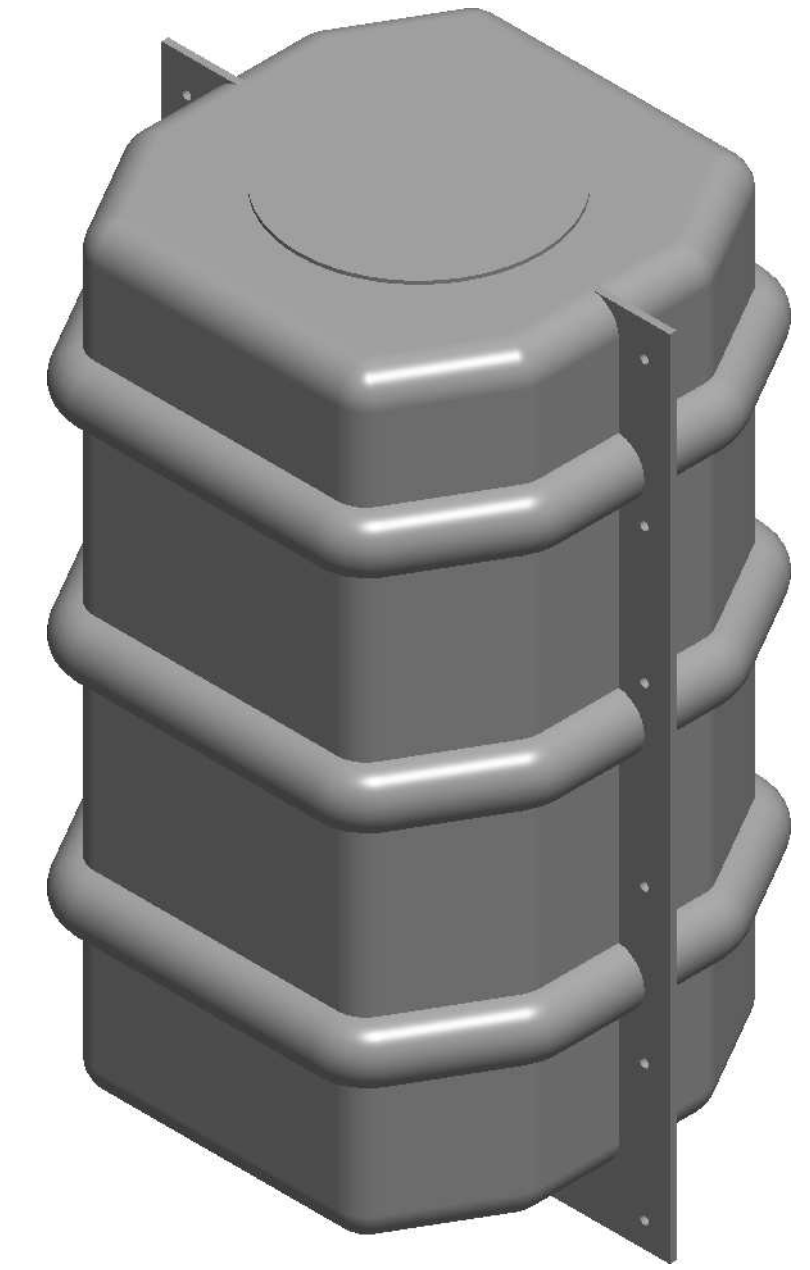
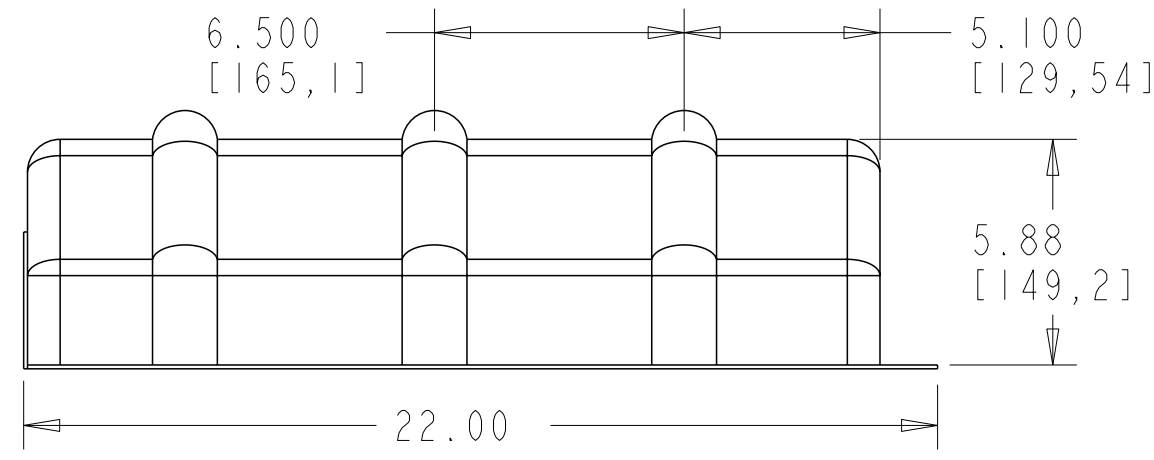
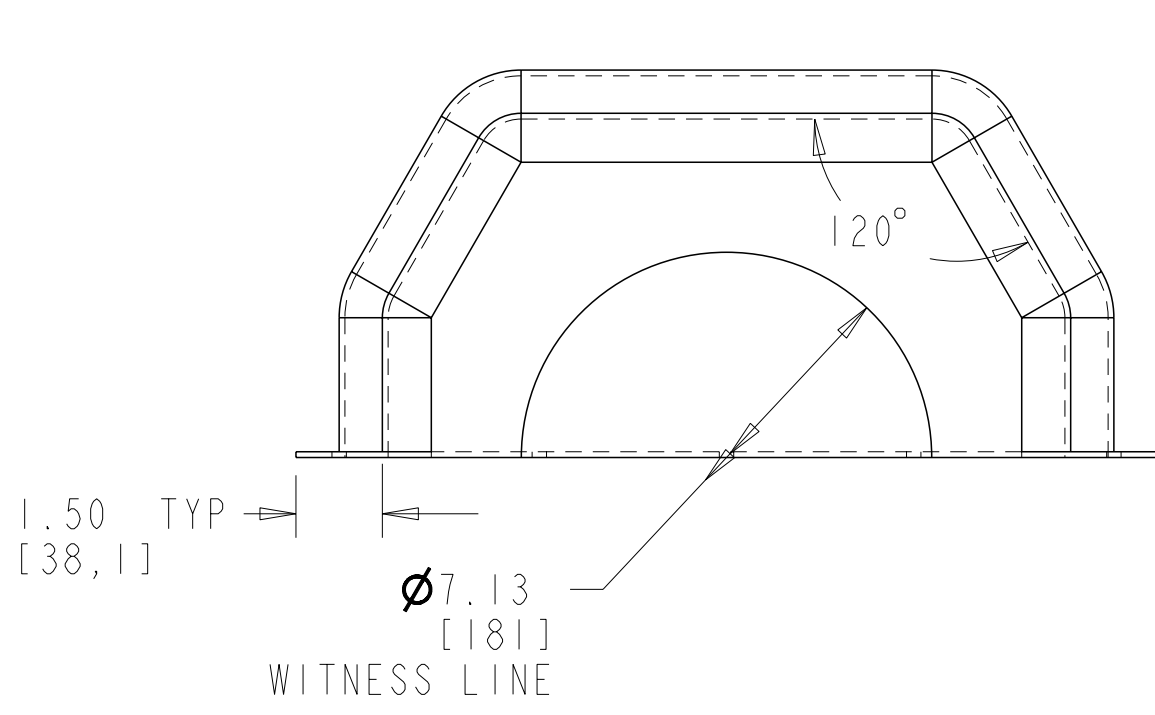
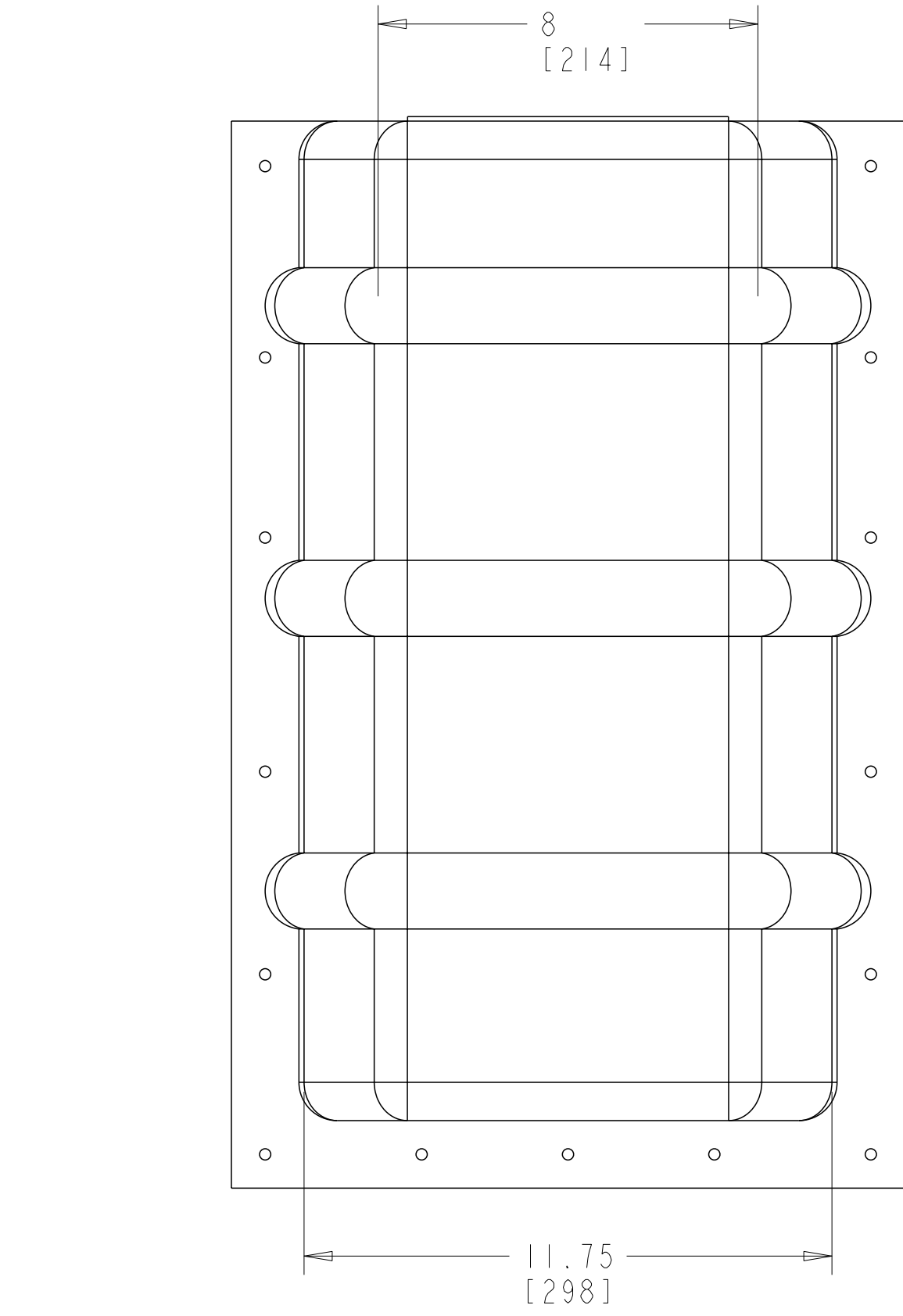


| P | LTR | DESCRIPTION | DATE | DWN | APVD |
|---|-----|-------------------------|-----------|-----|------|
| A | | INITIAL RELEASE | 18MAR2020 | AS | LH |
| B | | ADDED METRIC DIMENSIONS | 16APR2020 | AS | LH |



TCPN
 BM3140-000



NOTES:

- PARTS SHALL BE KITTED 3 PIECES PER BOX.
- PART SHALL BE KITTED WITH QTY 16 BCIC LATCH, PN 607477-000
- EACH BOX SHALL BE LABELLED WITH DESCRIPTION, LOT NUMBER, PART NUMBER, MANUFACTURING DATE AND QUANTITY

| | | | | |
|---|--|--------------------------------|---------------------------|--------------------|
| THIS DRAWING IS A CONTROLLED DOCUMENT. | | DWN A. SABARAD 16APR2020 | TE Connectivity | |
| DIMENSIONS: INCH(MM) | | CHK S. LIGHT 16APR2020 | | |
| TOLERANCES UNLESS OTHERWISE SPECIFIED: | | APVD L. HILLER 16APR2020 | NAME BCIC-11.5D/22(B3) | |
| 0 PLC ± 1 PLC ± 2 PLC ± 3 PLC ± 4 PLC ± ANGLES ± FINISH - | | PRODUCT SPEC - | SIZE A2 | CAGE CODE 00779 |
| MATERIAL - | | APPLICATION SPEC - | DRAWING NO E00000822 | RESTRICTED TO - |
| - | | WEIGHT - | CUSTOMER DRAWING | |
| | | SCALE NTS | SHEET 1 | REV B |