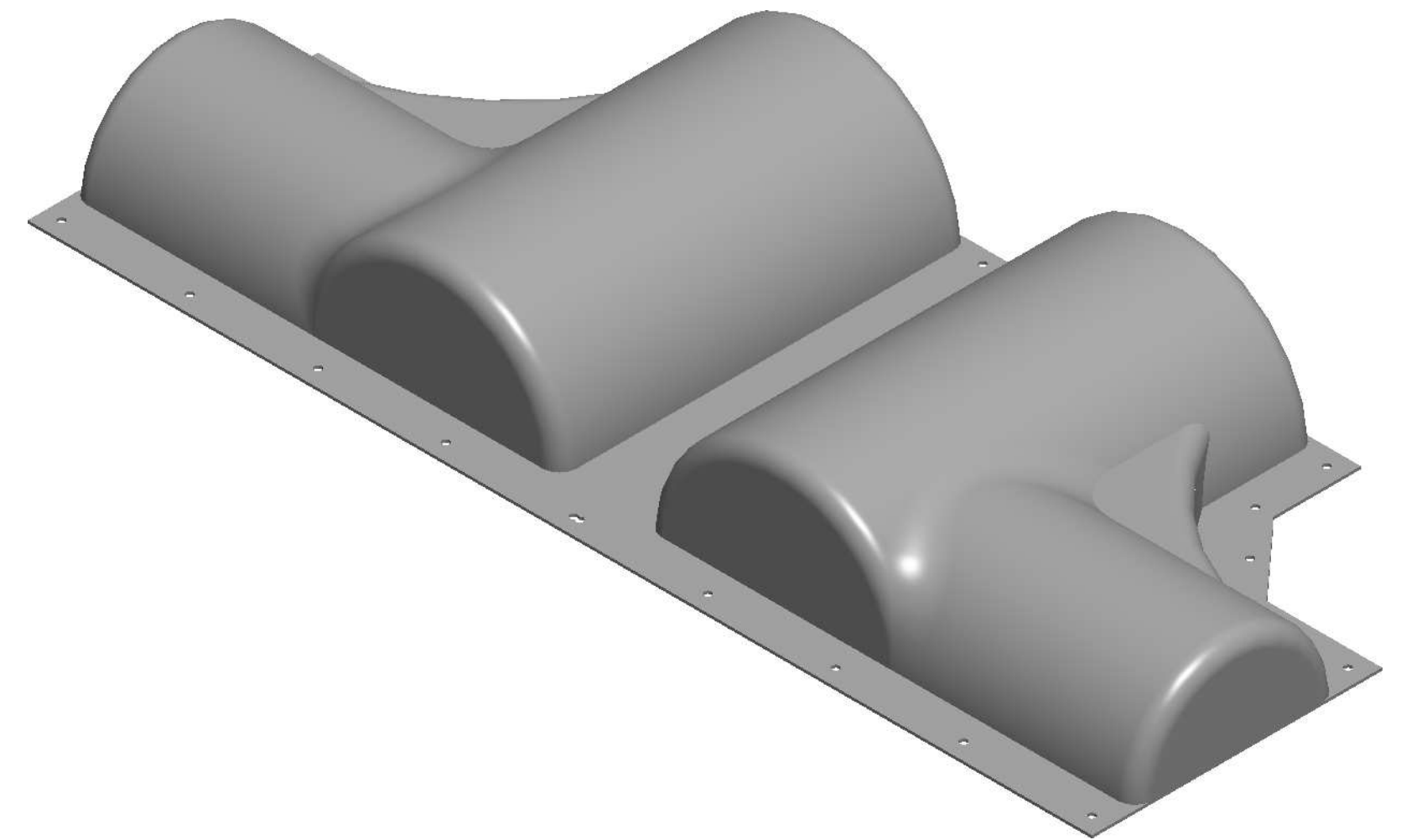
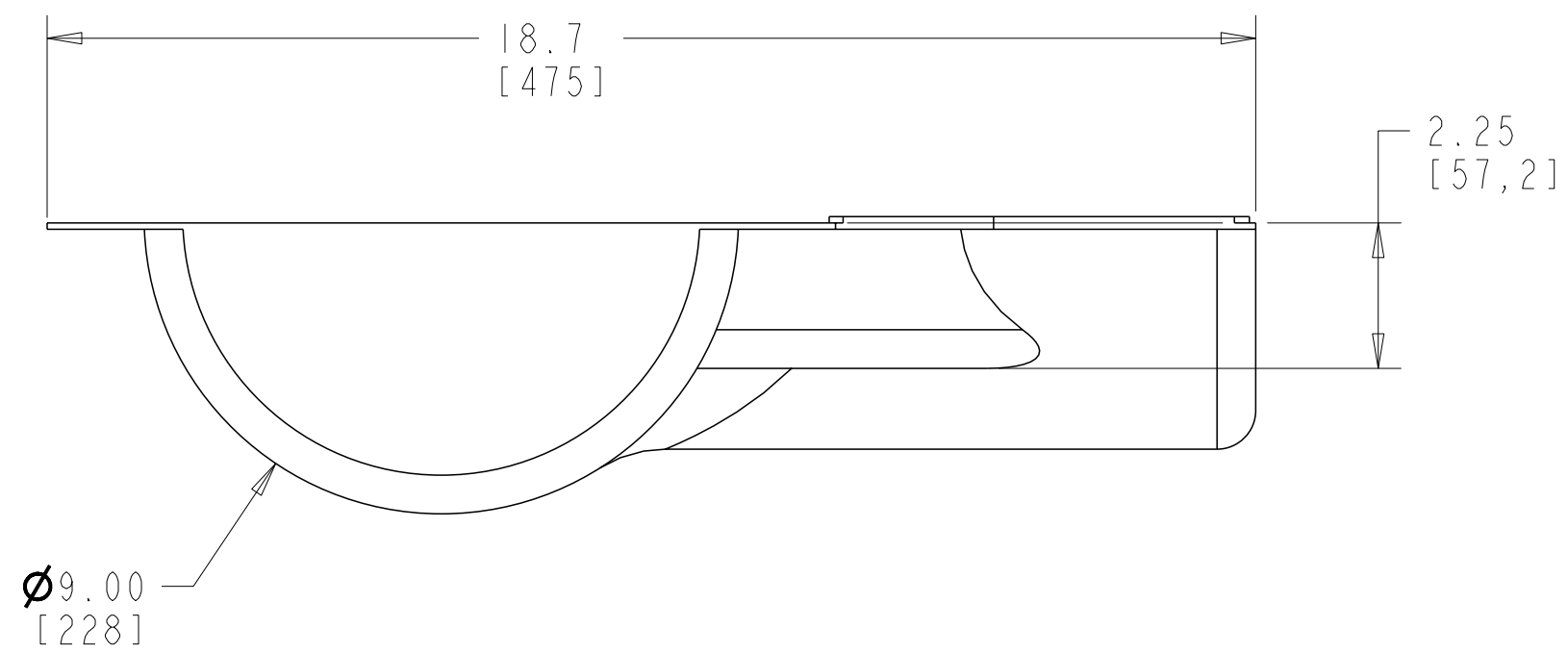
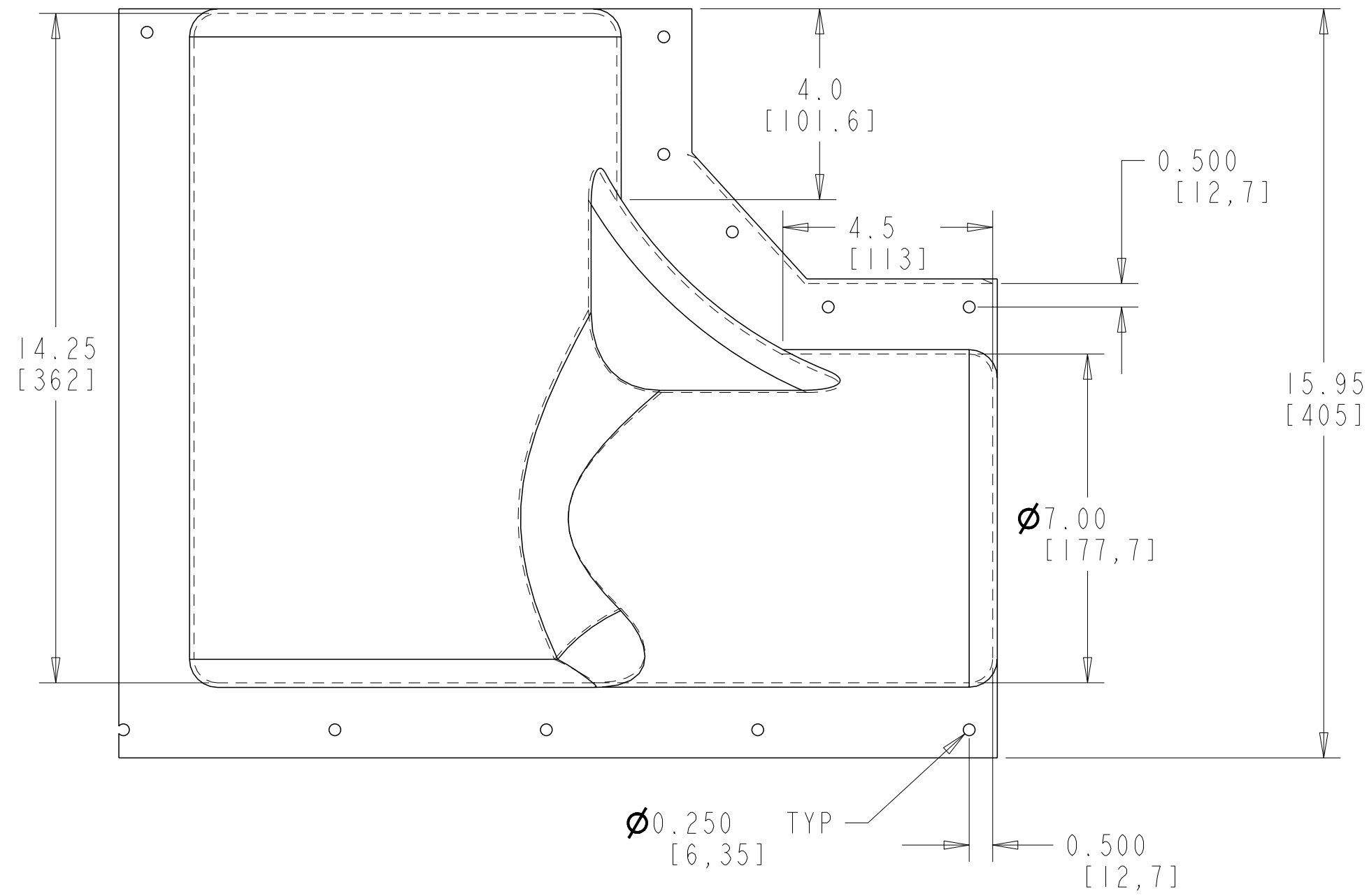


REVISIONS					
P	LTR	DESCRIPTION	DATE	DWN	APVD
A		INITIAL RELEASE	13MAR2020	AS	LH
B		ADDED METRIC DIMENSIONS	16APR2020	AS	LH



NOTES:

- PARTS SHALL BE KITTED 3 PIECES PER BOX.
- PART SHALL BE KITTED WITH QTY 11 BCIC LATCH, PN 607477-000
- EACH BOX SHALL BE LABELLED WITH DESCRIPTION, LOT NUMBER, PART NUMBER, MANUFACTURING DATE AND QUANTITY

TCPN
891393-000

THIS DRAWING IS A CONTROLLED DOCUMENT.		DWN A. SABARAD 16APR2020	TE Connectivity																
DIMENSIONS: INCH(MM)		CHK S. LIGHT 16APR2020				NAME BCIC-10D/22-3(B3)													
TOLERANCES UNLESS OTHERWISE SPECIFIED:		APVD L. HILLER 16APR2020	PRODUCT SPEC																
<table border="1"> <tr><td>0 PLC</td><td>±</td></tr> <tr><td>1 PLC</td><td>±</td></tr> <tr><td>2 PLC</td><td>±</td></tr> <tr><td>3 PLC</td><td>±</td></tr> <tr><td>4 PLC</td><td>±</td></tr> <tr><td>ANGLES</td><td>±</td></tr> <tr><td>FINISH</td><td>±</td></tr> </table>		0 PLC	±	1 PLC	±	2 PLC	±	3 PLC	±	4 PLC	±	ANGLES	±	FINISH	±	APPLICATION SPEC		RESTRICTED TO	
0 PLC	±																		
1 PLC	±																		
2 PLC	±																		
3 PLC	±																		
4 PLC	±																		
ANGLES	±																		
FINISH	±																		
MATERIAL		WEIGHT	SIZE A2	CAGE CODE 00779	DRAWING NO E00000821														
		CUSTOMER DRAWING	SCALE NTS	SHEET OF	REV B														