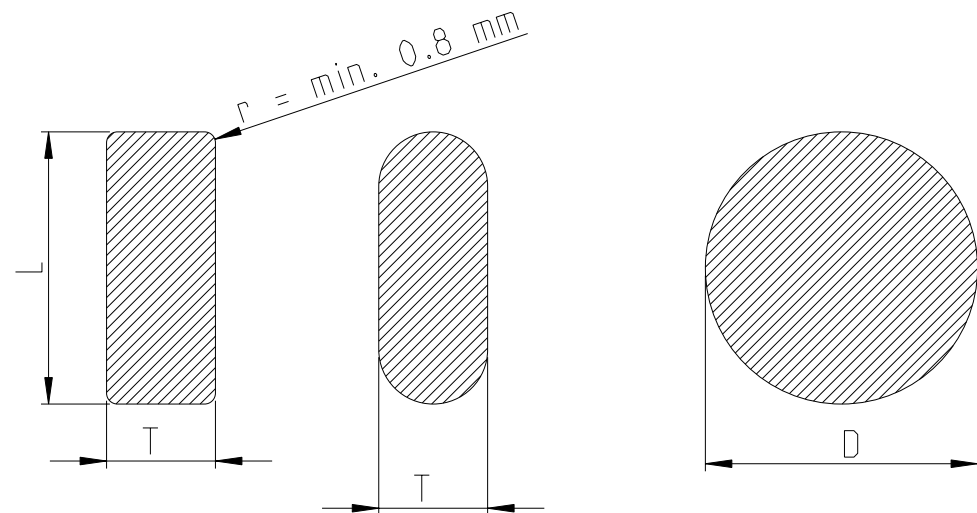
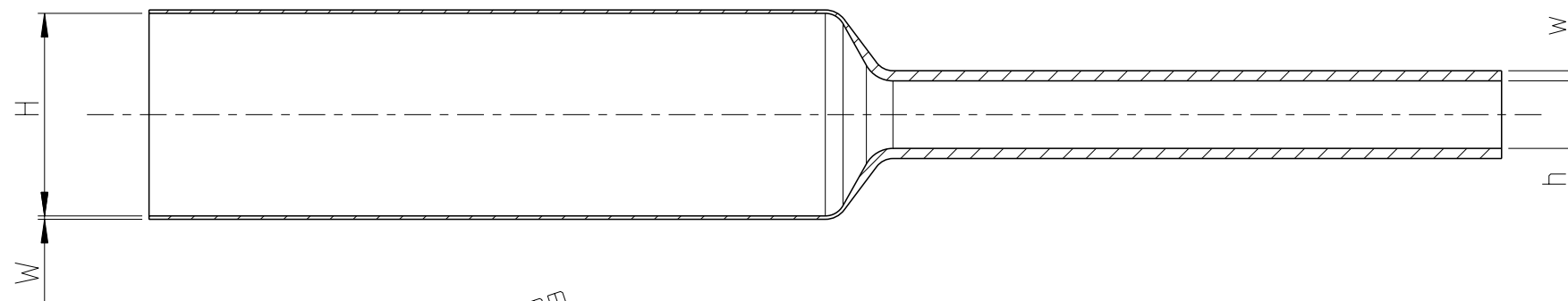


REVISIONS

P	LTR	DESCRIPTION	DATE	DWN	APVD
	A	INITIAL RELEASE	26FEB2020	AS	LH



Notes

- Dimensions in mm
 - Max. longitudinal change after free recovery +5% -15%
 - Maximum Eccentricity 40%
 - See product datasheet EPP-0614 for all other information
- W, H = as supplied
w, h = after free recovery

Ordering Description	Product Selection				Ordering Information				
	Rectangular Busbars L+T (mm)		Round Busbars D (mm)		Inside diameter (mm)		Wall thickness (mm)		UOM: roll of length (m)
	min.	max.	min.	max.	H min.	h max.	W nom.	w min.	
LVIT-15/6-A/U-4	12	18	6.5	12	15	6	0.7	1.5	60
LVIT-30/10-A/U-4	17	39	11	25	30	10	0.5	1.5	60
LVIT-50/20-A/U-4	36	65	22	43	50	20	0.65	1.5	30
LVIT-75/25-A/U-4	39	86	27	55	75	25	0.5	1.5	30
LVIT-100/35-A/U-4	59	117	38	75	100	35	0.5	1.5	60
LVIT-120/40-A/U-4	70	150	44	90	120	40	0.5	1.5	30
LVIT-150/50-A/U-4	86	157	55	100	150	50	0.5	1.5	30
LVIT-175/70-A/U-4	117	190	75	120	175	70	0.5	1.5	100
LVIT-235/105-A/U-4	190	280	120	180	235	105	0.5	1.5	25

THIS DRAWING IS A CONTROLLED DOCUMENT.		DWN A. SABARAD 26FEB2020		
DIMENSIONS: mm		CHK S. LIGHT 26FEB2020		
		APVD L. HILLER 26FEB2020		
TOLERANCES UNLESS OTHERWISE SPECIFIED:		NAME LVIT TUBING		
0 PLC ±		PRODUCT SPEC		
1 PLC ±0.5		APPLICATION SPEC		
2 PLC ±0.13		-		
3 PLC ±0.013		WEIGHT		
4 PLC ±0.0001		-		
ANGLES ±		SIZE A3		
MATERIAL		CAGE CODE 00779		
-		DRAWING NO E00000814		
-		RESTRICTED TO -		
FINISH		SCALE NTS		
-		SHEET 1 OF 1		
-		REV A		