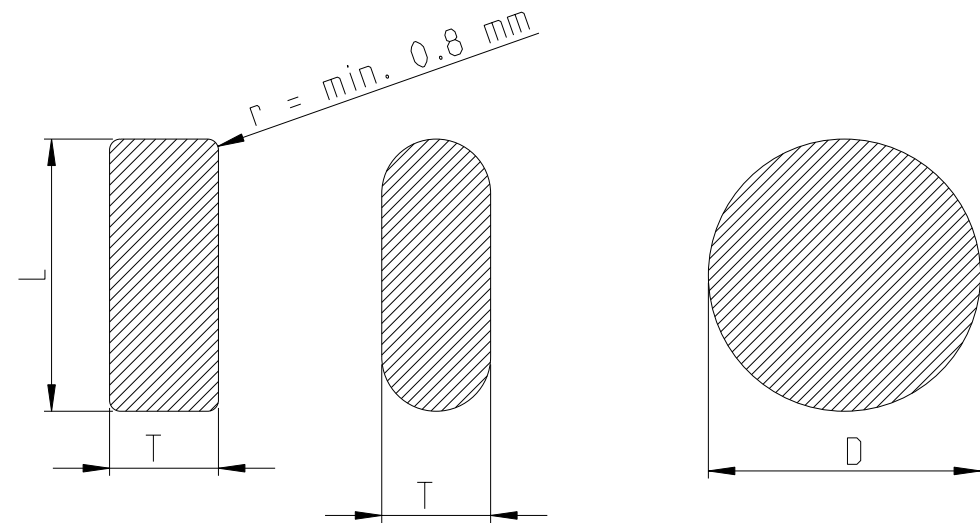
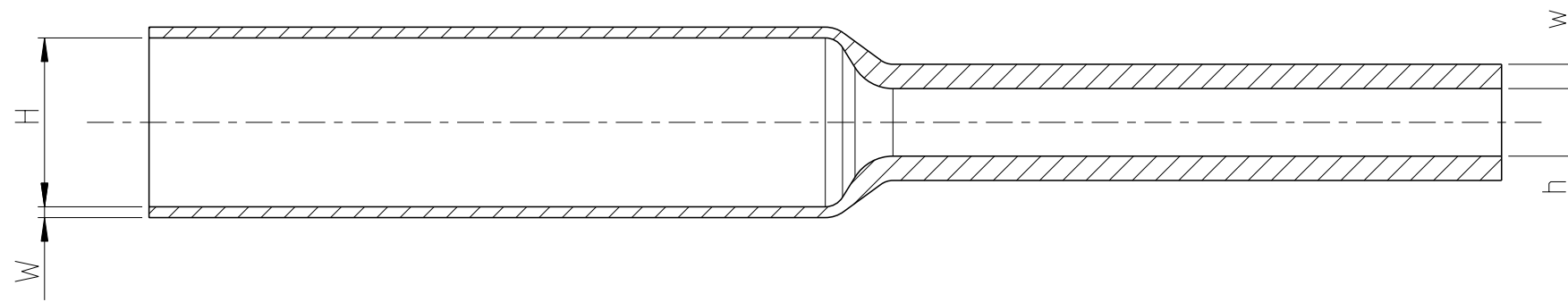


REVISIONS

P	LTR	DESCRIPTION	DATE	DWN	APVD
	A	INITIAL RELEASE	20FEB2020	AS	LH



Notes

- Dimensions in mm
  - Max. longitudinal change after free recovery  $\pm 5\%$
  - Maximum Eccentricity  $35\%$   
Eccentricity fully recovered max.  $15\%$
  - See product datasheet EPP-0607 for all other information
- W, H = as supplied  
w, h = after free recovery

Ordering Description	Product Selection				Ordering Information				
	Rectangular bars L+T (mm)		Round bars D (mm)		Inside diameter (mm)		Wall thickness (mm)		UOM: roll of length (m)
	min.	max.	min.	max.	H min.	h max.	W min.	w max.	
BBIT-25/10-A/U-4	17	28	11	20	25	10	1.6	3.6	25
BBIT-40/16-A/U-4	28	45	18	32	40	16	1.6	3.6	20
BBIT-65/25-A/U-4	44	69	28	47	65	25	1.6	3.6	15
BBIT-100/40-A/U-4	69	102	44	72	100	40	1.6	3.6	15
BBIT-150/60-A/U-4	102	148	65	105	150	60	1.6	3.6	15
BBIT-175/80-A/U-4	133	196	85	125	175	80	1.6	3.6	10

THIS DRAWING IS A CONTROLLED DOCUMENT.		DWN A. SABARAD 20FEB2020		
DIMENSIONS: mm		CHK S. LIGHT 20FEB2020		
		APVD L. HILLER 20FEB2020		
TOLERANCES UNLESS OTHERWISE SPECIFIED:		NAME BBIT TUBING		
0 PLC $\pm$		PRODUCT SPEC		
1 PLC $\pm 0.5$		APPLICATION SPEC		
2 PLC $\pm 0.13$		WEIGHT		
3 PLC $\pm 0.013$		SIZE A3		
4 PLC $\pm 0.0001$		CAGE CODE 00779		
ANGLES $\pm$		DRAWING NO E00000812		
FINISH		RESTRICTED TO		
-		-		
-		CUSTOMER DRAWING		
		SCALE NTS		SHEET 1 OF 1
				REV A