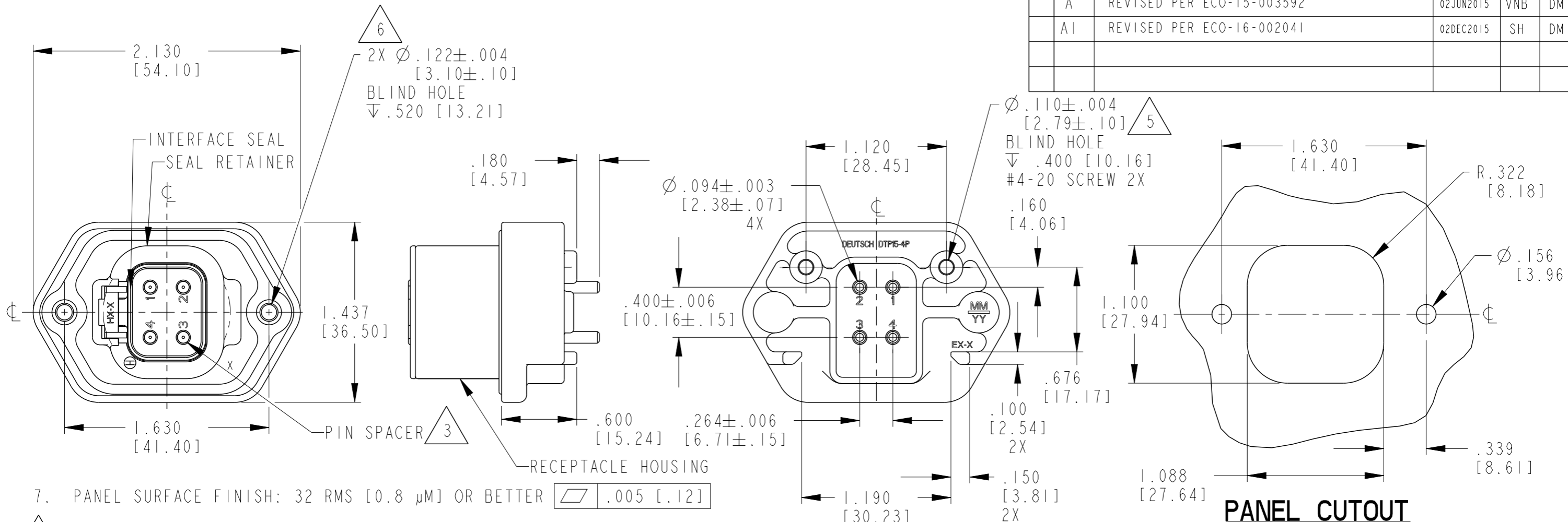


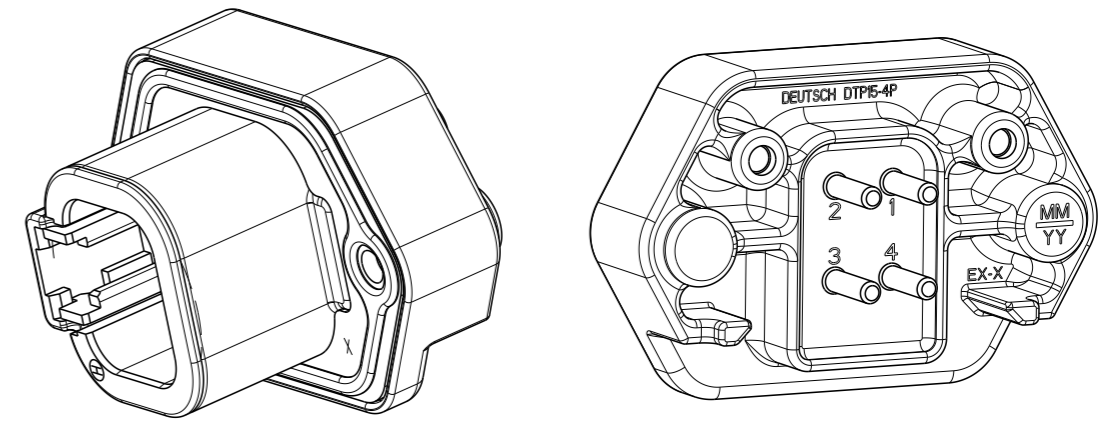
P	LTR	DESCRIPTION	DATE	DWN	APVD
A		REVISED PER ECO-15-003592	02JUN2015	VNB	DM
AI		REVISED PER ECO-16-002041	02DEC2015	SH	DM



- 7. PANEL SURFACE FINISH: 32 RMS [0.8 μM] OR BETTER .005 [.12]
- 6. RECOMMENDED SCREW: 6-19 [M3.63 X 1.34] PLASTITE 48, SINGLE HELIX TORQUE: 11-15 IN-LB [1.24-1.70 NM]
- 5. RECOMMENDED SCREW: 4-20 [M3.12 X 1.27] PLASTITE 48, SINGLE HELIX TORQUE: 6-10 IN-LB [0.67-1.13 NM]
- 4. THE RECEPTACLE MATES WITH DTP06-4S-XXXX PLUG (XXXX = ALL MODIFICATIONS)
- 3. PIN PLATING:
MATING SIDE: TIN (ROHS)
PCB SIDE: TIN (ROHS)
- 2. MATERIAL:
RECEPTACLE: PA46 GF30 (BLACK)
SEAL RETAINER: PA46 GF10 (BLACK)
FLANGE SEAL: SILICONE (RED-ORANGE)
INTERFACE SEAL: SILICONE, PHENYL FLUID LUBED (GREEN)
PIN: COPPER ALLOY

- 1. DIMENSIONAL TOLERANCES: ±.025 [.64]
PANEL CUTOUT: ±.010 [.25]
PIN LOCATION: ±.005 [.13]
MOUNTING HOLE LOCATION: ±.010 [.25]

NOTES: UNLESS OTHERWISE SPECIFIED



THIS DRAWING IS A CONTROLLED DOCUMENT.		DWN K. McKEE 17NOV2011	TE TE Connectivity																			
DIMENSIONS: INCHES [mm]		CHK B. BYFORD 14FEB2012																				
TOLERANCES UNLESS OTHERWISE SPECIFIED:		APVD S. BEARD 14FEB2012	NAME PCB MOUNT RECEPTACLE 4 SIZE 12 CONTACTS DTP SERIES																			
<table border="0"> <tr> <td>0 PLC</td> <td>±</td> <td rowspan="4"> </td> </tr> <tr> <td>1 PLC</td> <td>±</td> </tr> <tr> <td>2 PLC</td> <td>±</td> </tr> <tr> <td>3 PLC</td> <td>±</td> </tr> <tr> <td>4 PLC</td> <td>±</td> <td></td> </tr> <tr> <td>ANGLES</td> <td>±</td> <td></td> </tr> <tr> <td>FINISH</td> <td>-</td> <td></td> </tr> </table>		0 PLC	±		1 PLC	±	2 PLC	±	3 PLC	±	4 PLC	±		ANGLES	±		FINISH	-		PRODUCT SPEC -	SIZE A3	CAGE CODE 4AFU8
0 PLC	±																					
1 PLC	±																					
2 PLC	±																					
3 PLC	±																					
4 PLC	±																					
ANGLES	±																					
FINISH	-																					
MATERIAL 2		APPLICATION SPEC -	DRAWING NO C-DTP15-4P	RESTRICTED TO -																		
		WEIGHT -	SCALE	SHEET OF REV AI																		