

4 3 2 1

THIS DRAWING IS UNPUBLISHED. RELEASED FOR PUBLICATION 20  
 © COPYRIGHT20 BY TE Connectivity ALL RIGHTS RESERVED.

REVISIONS					
P	LTR	DESCRIPTION	DATE	DWN	APVD
A2		REVISED PER PCN E-20-009832	09JUL2020	DB	IG
A3		REVISED PER PCN E-20-010705	28JUL2020	DB	IG
A4		REVISED PER PCN E-21-000918	22JAN2021	DB	IG
A5		REVISED PER PCN-22-156615	01AUG2023	GB	IG

DATECODE

11.15 [.439]  
 2.83±0.64 TYP [.112±.025]  
 297±6 [11.692±.250]  
 25.76 [1.014]

7. SMA CONNECTOR WITH REMOVEABLE DUST CAP

SECTION A-A

9. 12X Ø1.02 MIN [.040]  
 Ø0.5 [.02] A B C  
 58.55 MIN [2.305]  
 30 MAX [1.181]  
 2X Ø3±0.05 FOR #4 [.118±.002] [M3] SCREW  
 2X 9 [.354] MAX  
 6X 8.8 [.346] 12 MAX [.472]  
 2X 10.48 [.413]  
 2X 6.29 [.248]  
 2X 2.1 [.083]  
 6X 2.45 [.096]  
 2X 35 [1.378]  
 4.41 [.174]  
 1.57 NOM [.062]  
 1.75 MAX [.068]  
 82.55±0.63 [3.250±.025]

MOD DESIGNATION

DEUTSCH DTM13-12P-020 EX-Y

35 [1.378]  
 100.99 [3.976]

SECTION D-D

PULLER

PARTIAL VIEW

10. SEE PRODUCT SPEC 108-151090 FOR PERFORMANCE RATINGS. PERFORMANCE RATINGS MAY BE REDUCED WITH RESPECT TO THE INSTALLED SMA CONNECTOR. THE SMA PANEL NUT HAS BEEN TORQUED TO MEET INTERNAL PERFORMANCE RATINGS, HOWEVER CUSTOMER SPECIFIC APPLICATION REQUIREMENTS MAY REQUIRE ADDITIONAL PROCESSING AND/OR COMPONENTS TO PREVENT UNINTENDED LOOSENING OF THE PANEL NUT AND REDUCED SEAL PERFORMANCE.

9. MINIMUM RECOMMENDED HOLE SIZE. CUSTOMER TO DETERMINE FINISHED HOLE SIZE BASED ON SOLDER PROCESS, THRU-HOLE PLATING, ETC.

8. SEE DRAWING EEC-325X4A/B FOR FULL PCB SIZE SPECIFICATION AND COMPONENT HEIGHT RESTRICTIONS.

7. SMA CONNECTOR INCLUDES 297±6 mm [11.692±.250 in] CABLE AND UMCC CONNECTOR APPLIED TO END OF CABLE FOR CONNECTION TO PCB. SEE DRAWING 2016457 FOR FULL SMA CONNECTOR SPECIFICATIONS. SMA CONNECTOR IS SUPPLIED WITH REMOVEABLE DUST CAP.

6. SEE SHEET 2 FOR OTHER KEY ARRANGEMENTS.

5. THIS RECEPTACLE IS USED WITH EEC-325X4(A OR B) ENCLOSURE. SEE ENVELOPE DRAWING EEC-325X4A/EEC-325X4B FOR ENCLOSURE INFORMATION.

4. THIS RECEPTACLE MATES WITH DTM06-12S\*-\*\*\*\* PLUG. (\* = A,B,C,D KEYS; \*\*\*\* = ALL MODIFICATIONS).

3. MATERIAL: HOUSING: PA46 GF30 BLACK; SEALS: SILICONE RUBBER; CONTACTS: COPPER ALLOY.

2. CONTACT PLATING: MATING SIDE: NICKEL; PCB SIDE: TIN.

1. DIMENSIONS ARE IN MILLIMETERS [IN].

NOTES: UNLESS OTHERWISE SPECIFIED

8. PCB FOOTPRINT AND KEEP CLEAR AREAS

3D VIEWS

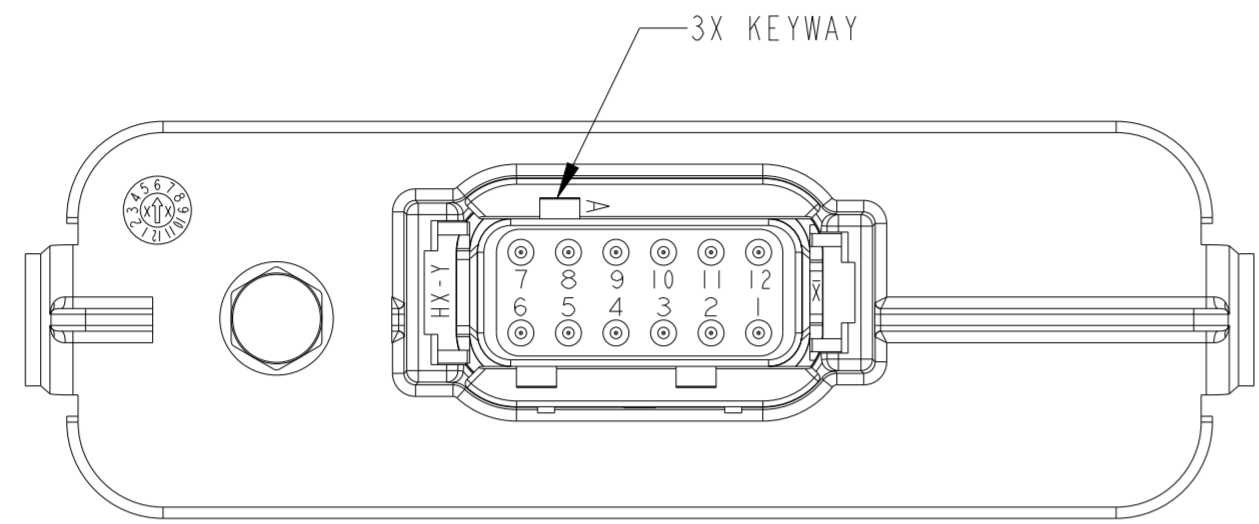
TCPN	ALIAS PART NUMBER
2333581-1	DTM13-12PA-R020
2333581-2	DTM13-12PB-R020
2333581-3	DTM13-12PC-R020
2333581-4	DTM13-12PD-R020

THIS DRAWING IS A CONTROLLED DOCUMENT.		DWN K. McKEE 23MAR2018	TE Connectivity	
DIMENSIONS: mm [in]		CHK K. McKEE 20AUG2018		
TOLERANCES UNLESS OTHERWISE SPECIFIED:		APVD D. MEYER 20AUG2018	NAME RECEPTACLE HEADER 12 POS, #20 SIZE CONTACT R020 MOD, DTM SERIES	
0 PLC ±		PRODUCT SPEC	SIZE A2	
1 PLC ±		APPLICATION SPEC	CAGE CODE 4AFU8	DRAWING NO DTM13-12PX-R020
2 PLC ±0.25 [.010]		WEIGHT 47.5	RESTRICTED TO	
3 PLC ±		CUSTOMER DRAWING	SCALE 1:1	SHEET 1 OF 2
4 PLC ±			REV A5	
ANGLES ±0°30'0"				
FINISH				

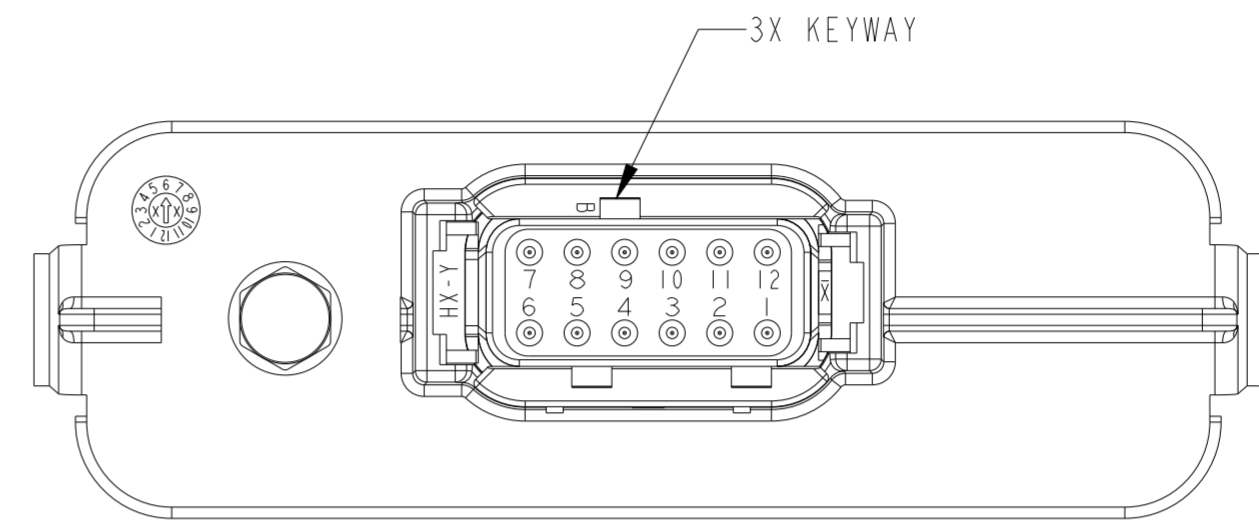
1471-9 (3/13)

THIS DRAWING IS UNPUBLISHED. RELEASED FOR PUBLICATION 20  
 © COPYRIGHT 20 BY TE Connectivity ALL RIGHTS RESERVED.

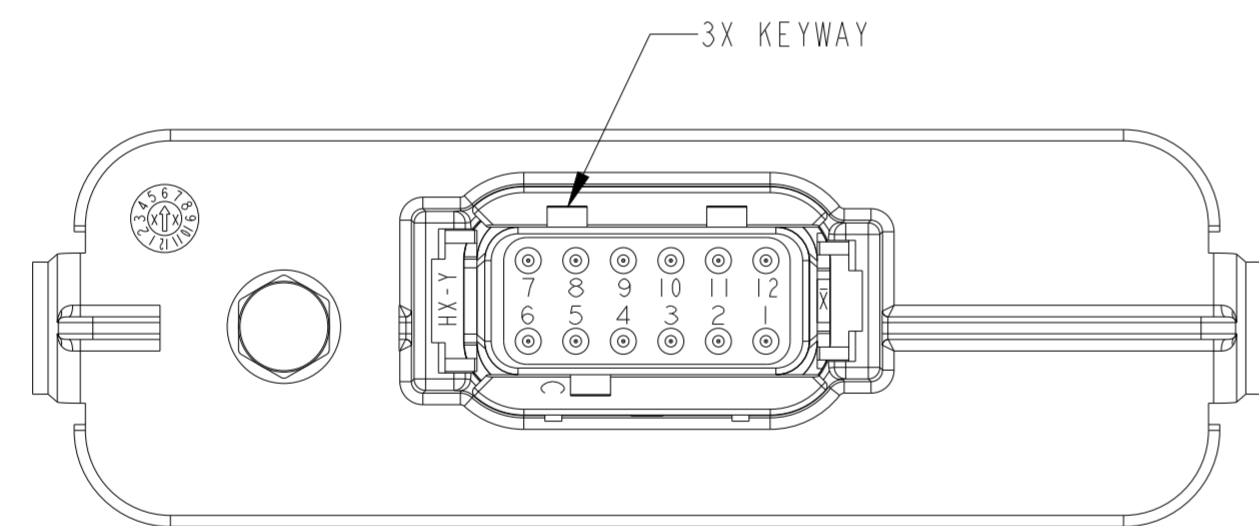
REVISIONS				
P	LTR	DESCRIPTION	DATE	APVD
-		SEE SHEET 1	-	-



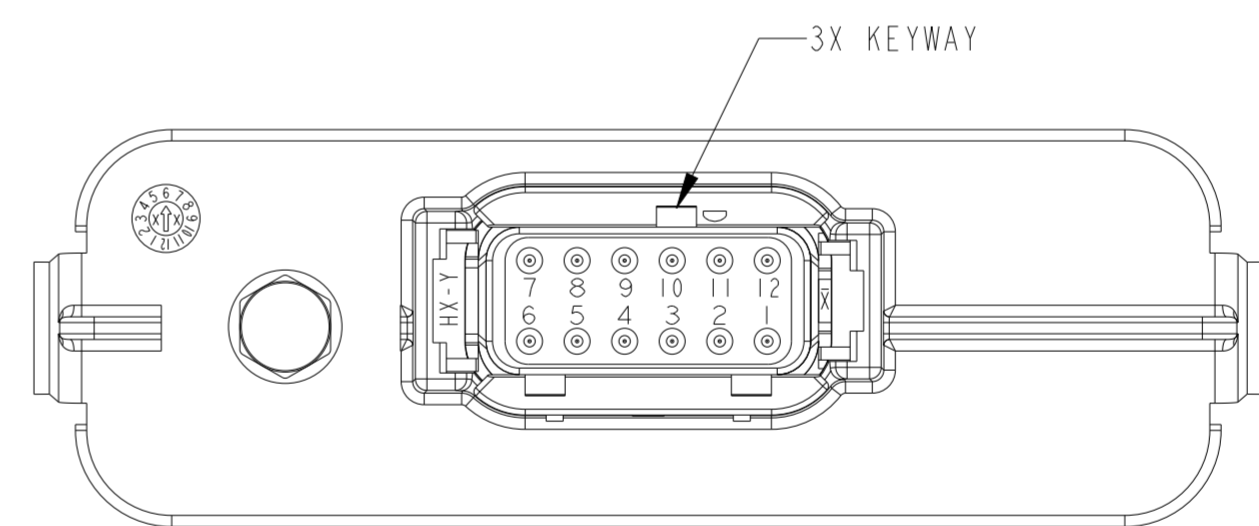
**DTM13-12PA-R020**  
**KEY -A-**  
**SLEEVE COLOR: GREY**



**DTM13-12PB-R020**  
**KEY -B-**  
**SLEEVE COLOR: BLACK**



**DTM13-12PC-R020**  
**KEY -C-**  
**SLEEVE COLOR: GREEN**



**DTM13-12PD-R020**  
**KEY -D-**  
**SLEEVE COLOR: BROWN**

THIS DRAWING IS A CONTROLLED DOCUMENT.		DWN K. McKEE 23MAR2018	<b>STE</b> TE Connectivity
DIMENSIONS: mm [in]		CHK K. McKEE 20AUG2018	
TOLERANCES UNLESS OTHERWISE SPECIFIED:		APVD D. MEYER 20AUG2018	NAME RECEPTACLE HEADER 12 POS, #20 SIZE CONTACT R020 MOD, DTM SERIES
0 PLC ± 1 PLC ± 2 PLC ±0.25 [0.010] 3 PLC ± 4 PLC ±		PRODUCT SPEC	
MATERIAL		APPLICATION SPEC	SIZE A2
FINISH		WEIGHT 47.5	CAGE CODE 4AFU8
		CUSTOMER DRAWING	DRAWING NO DTM13-12PX-R020
		SCALE 1:1	RESTRICTED TO -
		SHEET 2 OF 2	REV A5