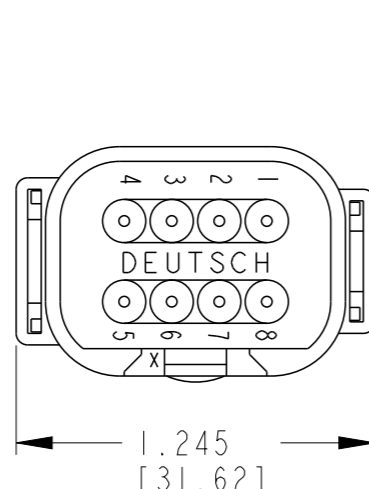
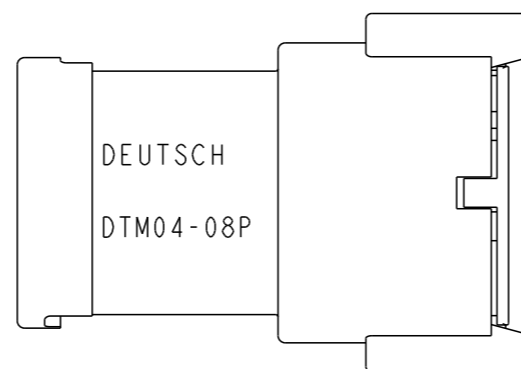
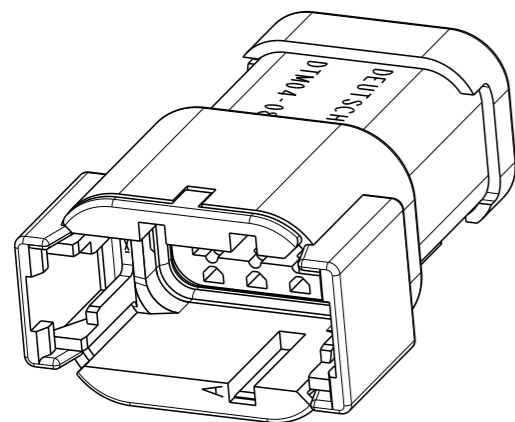
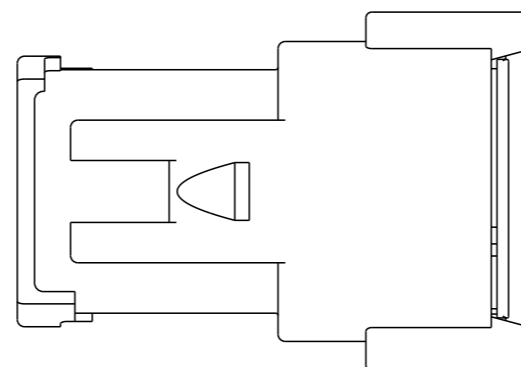
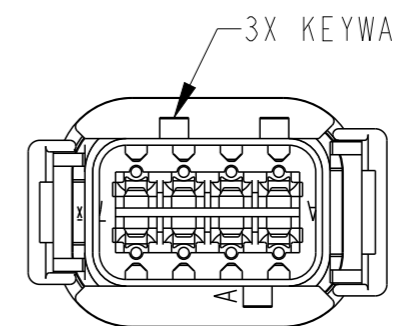
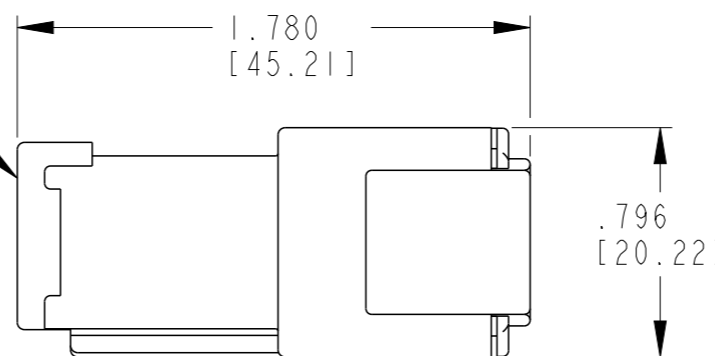


| P | LTR | DESCRIPTION | DATE | DWN | APVD |
|---|-----|-----------------------------|-----------|-----|------|
| | NC | NEW RELEASE PER E.O. P20764 | 10JAN2011 | AM | RDR |
| | A | REVISED PER PCN E-20-002579 | 12MAY2020 | MR | IG |
| | | | | | |
| | | | | | |



8
END CAP



| TE INTERNAL PN | DEUTSCH PN |
|-----------------|-----------------|
| DTM04-08PA-E005 | DTM04-08PA-E005 |
| DTM04-08PB-E005 | DTM04-08PB-E005 |
| DTM04-08PC-E005 | DTM04-08PC-E005 |
| DTM04-08PD-E005 | DTM04-08PD-E005 |

| CONTACT SIZE | MIN. INSUL. O.D. | MAX. INSUL. O.D. | WIRE RANGE [mm ²] REF ONLY |
|--------------|------------------|------------------|--|
| 20 | .053 [1.35] | .120 [3.05] | 16-20 AWG [1.0-0.5] |

- 8 PART MODIFICATION.
- 7. SEE SHEET 2 FOR OTHER KEY ARRANGEMENTS.
- 6 MATERIAL - HOUSING/END CAP: PA66 GF15; GROMMET: VMQ.
- 5. THIS RECEPTACLE MATES WITH DTM06-08S*-**** PLUG. (* = A,B,C,D KEYS; **** = ALL MODIFICATIONS)
- 4 FOR CONTACT AND WIRE PERFORMANCE AND APPLICATION CHARACTERISTICS SEE ENVELOPE DRAWING 0425-015-0000.
- 3. SECONDARY WEDGE LOCK SOLD SEPARATELY: WM-8P.
- 2. DELETED.
- 1. DELETED.

UNLESS OTHERWISE SPECIFIED

THIS DRAWING IS A CONTROLLED DOCUMENT.

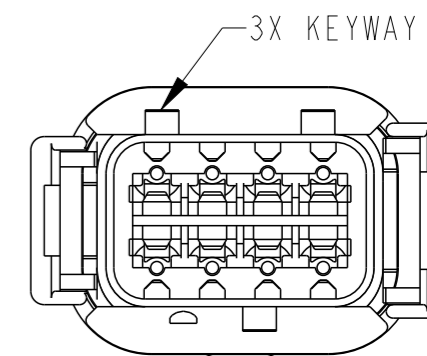
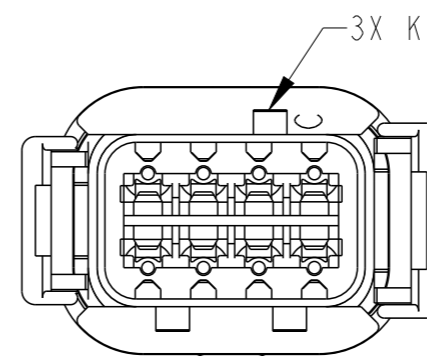
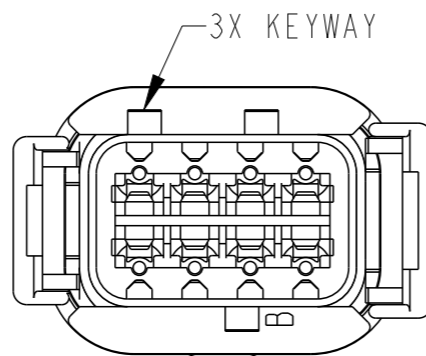
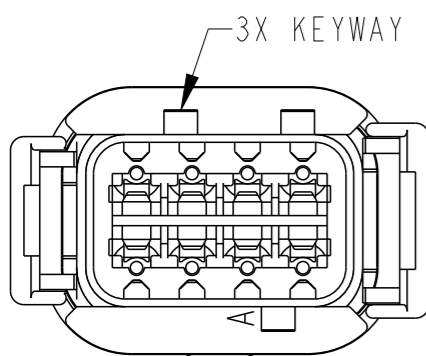
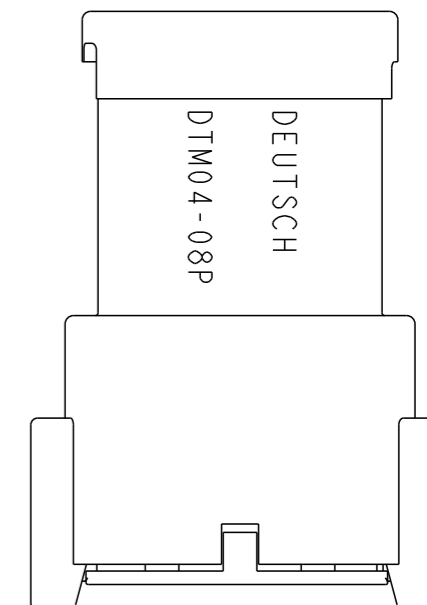
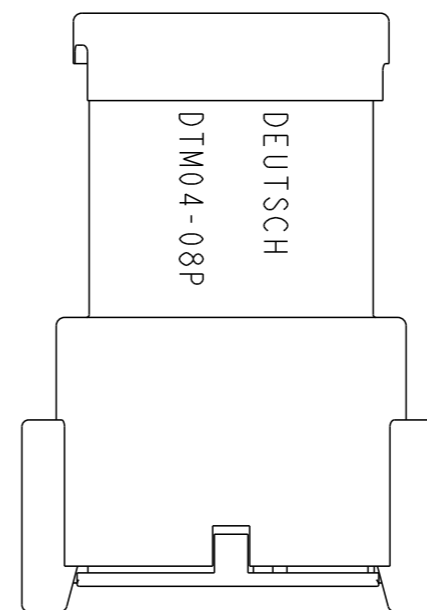
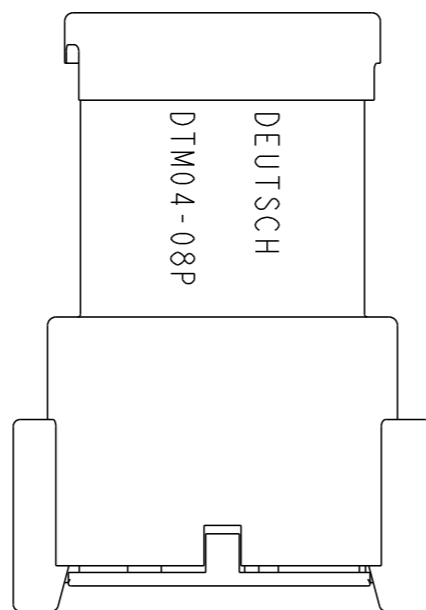
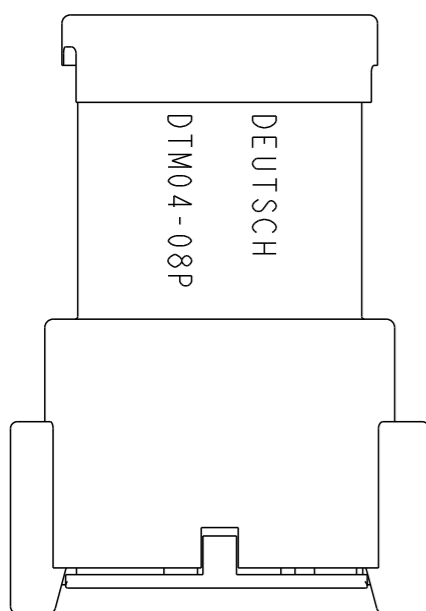
| DIMENSIONS: INCHES [mm] | TOLERANCES UNLESS OTHERWISE SPECIFIED: |
|-------------------------|--|
| | 0 PLC ± |
| | 1 PLC ± |
| | 2 PLC ± |
| | 3 PLC ±.025 [0.64] |
| | 4 PLC ± |
| ANGLES | ±0°30'0" |
| MATERIAL | FINISH - |



| | |
|------------------|-------------|
| DWN | 06 JAN 2011 |
| A. MALAGON | |
| CHK | 10 JAN 2011 |
| B. BYFORD | |
| APVD | 07 JAN 2011 |
| R. MILLIGAN | |
| PRODUCT SPEC | 108-151010 |
| APPLICATION SPEC | 114-151010 |
| WEIGHT | - |

| | | | |
|---|-----------|-----------------|---------------|
| TE TE Connectivity | | | |
| NAME RECEPTACLE W/END CAP 8 CONTACTS, SIZE 20 DTM SERIES | | | |
| SIZE | CAGE CODE | DRAWING NO | RESTRICTED TO |
| A3 | 00779 | DTM04-08PX-E005 | - |

| P | LTR | DESCRIPTION | DATE | DWN | APVD |
|---|-----|-------------|------|-----|------|
| | - | SEE SHEET 1 | - | - | - |
| | | | | | |
| | | | | | |



**DTM04-08PA-E005
KEY -A-**

**DTM04-08PB-E005
KEY -B-**

**DTM04-08PC-E005
KEY -C-**

**DTM04-08PD-E005
KEY -D-**

| | | | | | | | | | | | | | | | | | | |
|--|--------------|------------------------------------|---|-------------|--------------|-------|---|-------|--------------|-------|---|--------|----------|----------------------------|------------|--------------------|-------------------------------|--------------------|
| THIS DRAWING IS A CONTROLLED DOCUMENT. | | DWN A. MALAGON 06 JAN 2011 | | | | | | | | | | | | | | | | |
| DIMENSIONS: INCHES [mm] | | CHK B. BYFORD 10 JAN 2011 | | | | | | | | | | | | | | | | |
| TOLERANCES UNLESS OTHERWISE SPECIFIED: | | APVD R. MILLIGAN 07 JAN 2011 | NAME RECEPTACLE W/END CAP 8 CONTACTS, SIZE 20 DTM SERIES | | | | | | | | | | | | | | | |
| <table border="0"> <tr> <td>0 PLC</td> <td>±</td> </tr> <tr> <td>1 PLC</td> <td>±</td> </tr> <tr> <td>2 PLC</td> <td>±</td> </tr> <tr> <td>3 PLC</td> <td>±.025 [0.64]</td> </tr> <tr> <td>4 PLC</td> <td>±</td> </tr> <tr> <td>ANGLES</td> <td>±0°30'0"</td> </tr> </table> | | 0 PLC | ± | 1 PLC | ± | 2 PLC | ± | 3 PLC | ±.025 [0.64] | 4 PLC | ± | ANGLES | ±0°30'0" | PRODUCT SPEC 108-151010 | SIZE A3 | CAGE CODE 00779 | DRAWING NO DTM04-08PX-E005 | RESTRICTED TO - |
| 0 PLC | ± | | | | | | | | | | | | | | | | | |
| 1 PLC | ± | | | | | | | | | | | | | | | | | |
| 2 PLC | ± | | | | | | | | | | | | | | | | | |
| 3 PLC | ±.025 [0.64] | | | | | | | | | | | | | | | | | |
| 4 PLC | ± | | | | | | | | | | | | | | | | | |
| ANGLES | ±0°30'0" | | | | | | | | | | | | | | | | | |
| MATERIAL 6 | | FINISH - | APPLICATION SPEC 114-151010 | WEIGHT - | SCALE 2:1 | | | | | | | | | | | | | |
| CUSTOMER DRAWING | | | SHEET 2 OF 2 | | REV A | | | | | | | | | | | | | |