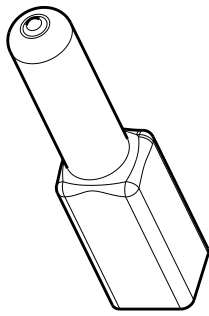
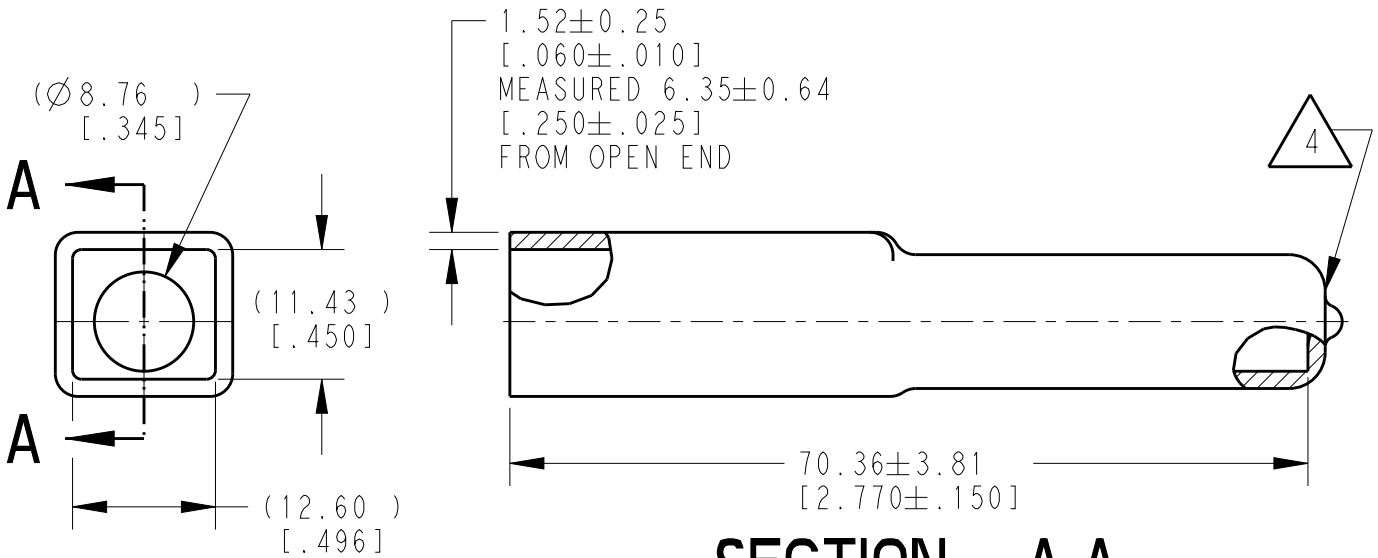


REVISIONS

P	LTR	DESCRIPTION	DATE	DWN	APVD
	A	NEW RELEASE PER ECO-14-008753	10JUN2014	DM	DM
	A1	REVISED PER PCN E-19-009112	10JUN2019	JA	DM



SCALE 3:4



SECTION A-A

4 SMALL MATERIAL EXTENSION IS ACCEPTABLE ON THIS END ALL AROUND.

3. THIS ACCESSORY PART IS PROVIDED WITHOUT TYPICAL TRANSPORTATION INDUSTRY PROCESS CONTROLS. NO VALIDATION TESTING HAS BEEN PERFORMED. CUSTOMER IS RESPONSIBLE FOR DETERMINING PRODUCT PERFORMANCE AND SUITABILITY FOR APPLICATION.
2. TEMPERATURE RATING: -29°C TO $+100^{\circ}\text{C}$ [-20°F TO $+212^{\circ}\text{F}$].
1. THIS PART IS USED ON DT04-2P RECEPTACLES WITH ANY MODIFICATION THAT DOES NOT INCLUDE AN END CAP.

NOTES:

TE INTERNAL PN	DEUTSCH PN
DT2P-BT	DT2P-BT

2019 RELEASED FOR PUBLICATION ALL RIGHTS RESERVED. BY TE CONNECTIVITY © COPYRIGHT 2014 THIS DRAWING IS UNPUBLISHED.

DIMENSIONS: MM [INCH]	DWN	10JUN2014	MATERIAL	PVC	FINISH	GRAY
	CHK	10JUN2014	TE Connectivity			
TOLERANCES UNLESS OTHERWISE SPECIFIED:		APVD				
0 PLC ± 1 PLC ± 2 PLC ± 0.63 [.025] 3 PLC ± 4 PLC ± ANGLES $\pm 5^{\circ}$	PRODUCT SPEC	-	SIZE	CAGE CODE	DRAWING NO	RESTRICTED TO
	APPLICATION SPEC	-	A 4	4AFU8	©-DT2P-BT	-
	WEIGHT	4.75 g	CUSTOMER DRAWING		SCALE	3:2
					SHEET	1 OF 1
					REV	A1