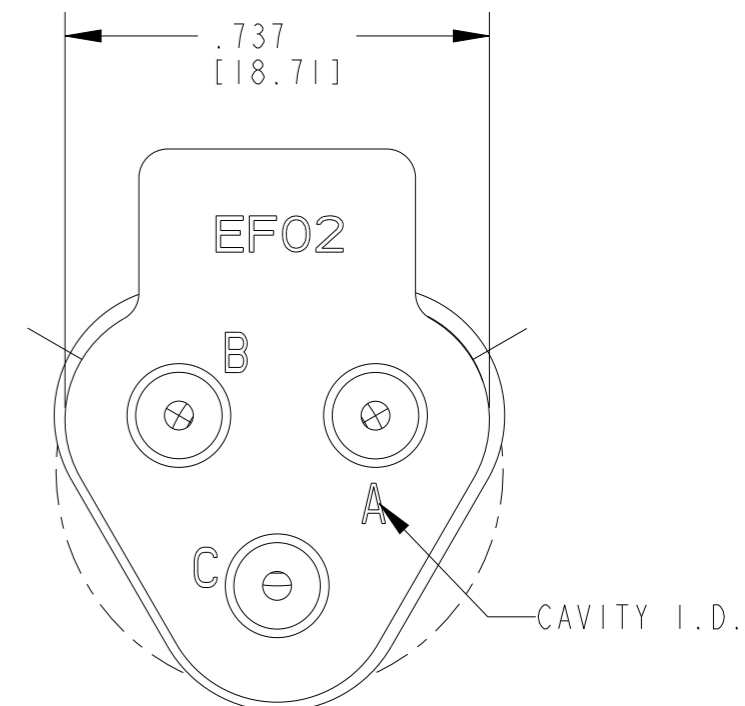
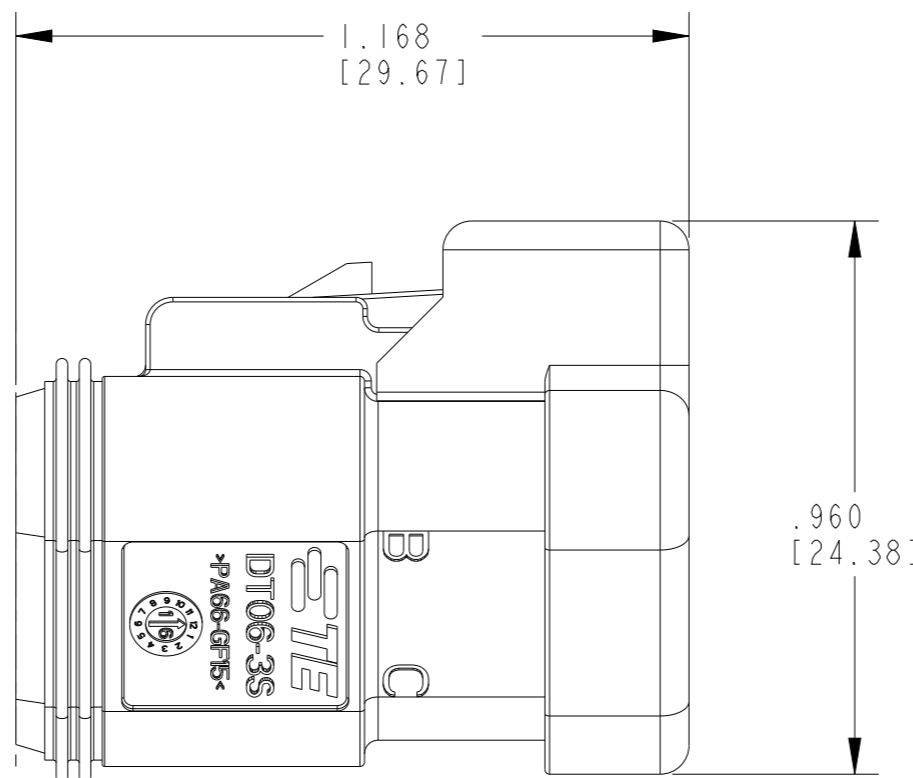
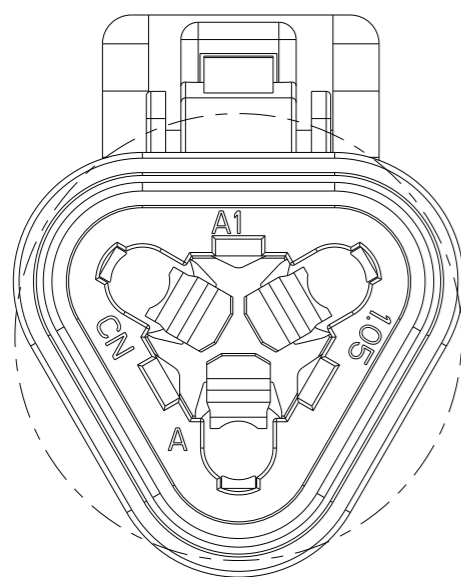


REVISIONS

P	LTR	DESCRIPTION	DATE	DWN	APVD
	B	REVISED PER PCN-23-192205	09FEB2024	RK	CB



4. MATERIAL: HOUSING: PA66 GF15 (GRAY)
 WELD CAP: PA66 GF15 (BLACK)
 GROMMET: VMQ (RED-ORANGE)
 FRONT SEAL: FVMQ (BLUE)

3. THIS PART MATES WITH DT04-3P-XXXX. (XXXX=ALL MODIFICATION)

2. MAY UTILIZE WEDGE W3S OR W3S-1939, SOLD SEPARTELY.

1. FOR MORE INFO. SEE ENVELOPE DRAWING 0425-017-0000 AND 0425-015-0000

NOTES:

CONTACT SIZE	MIN. INSUL. O.D.	MAX. INSUL. O.D.	WIRE RANGE [mm ²] REF ONLY
16	.088 [2.23]	.145 [3.68]	14-20 AWG [2.0-0.5]

THIS DRAWING IS A CONTROLLED DOCUMENT.		DWN T. YOHANNES 30MAY2001	STE TE Connectivity	
		CHK B. BYFORD 05NOV2007		
DIMENSIONS: in [mm]		APVD S. BEARD 01NOV2007	NAME 3 WAY PLUG WITH LATCH GUARD CAP AND FLUOROSILICONE SEAL DT SERIES	
TOLERANCES UNLESS OTHERWISE SPECIFIED:		PRODUCT SPEC 108-151009	RESTRICTED TO -	
0 PLC ±		APPLICATION SPEC 114-151009	SIZE A3	CAGE CODE 4AFU8
1 PLC ±		WEIGHT 7 g	DRAWING NO. DT06-3S-EF02	
2 PLC ±		CUSTOMER DRAWING	SCALE 3:1	SHEET 1 OF 1
3 PLC ±.025 [0.63]				REV B
4 PLC ±				
ANGLES ±				
FINISH				
MATERIAL 4				