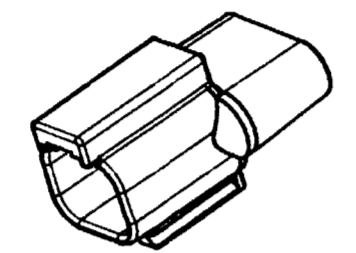
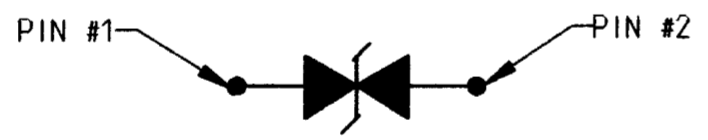
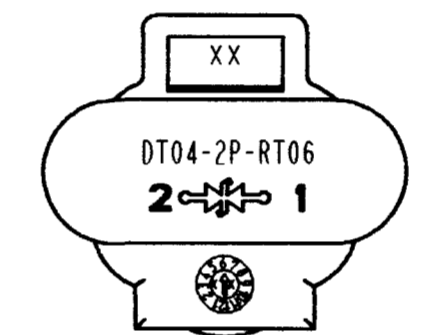
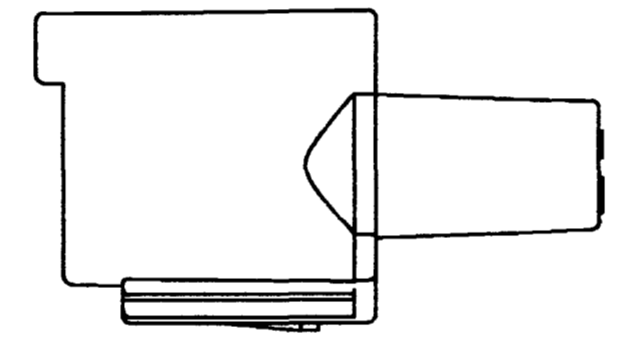
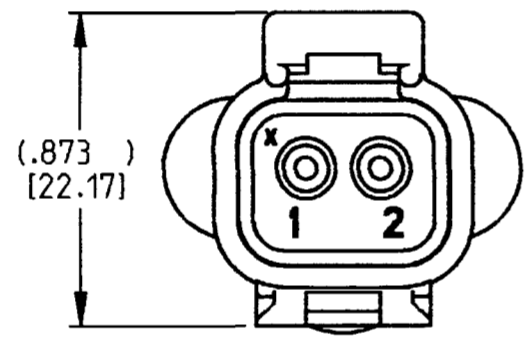
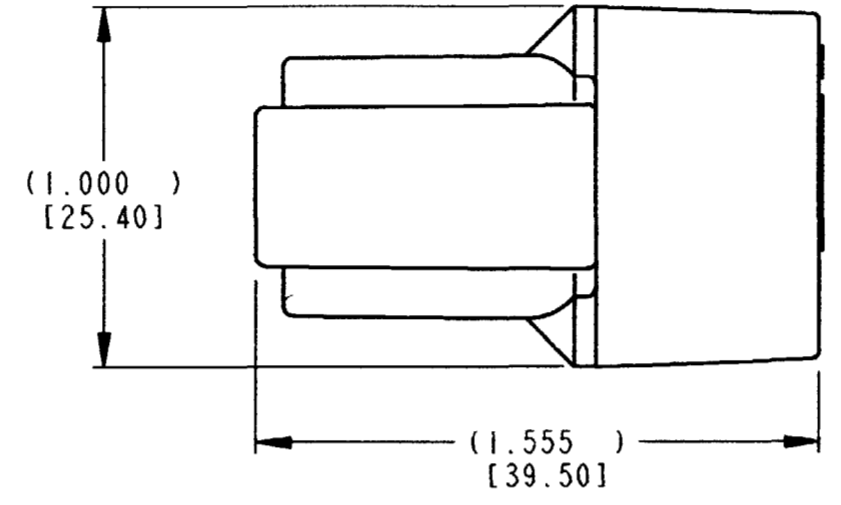


REV B DT04-2P-RT06

REVISIONS			
SYM	DESCRIPTION	DATE	APPROVED
NC	NEW RELEASE PER E.O. P17857	8/15/02	R.D.R.
A	REVISED PER E.O. P18067	3/17/03	RDR
B	REVISED PER E.O. P19162	3-15-06	RDR



3D VIEW



CIRCUIT DIAGRAM

- 6. MICROSEMI CORP. OR VISHAY INTERTECHNOLOGY T.V.S. DIODE P/N: 1.5KE130CA. CONSULT FACTORY FOR DETAILED SPECIFICATIONS.
- 5. SHELL MATERIAL: PLASTIC; COLOR: GREEN
- 4. TEMPERATURE RANGE : -55°C TO +125°C.
- 3. RECEPTACLE MATES WITH DT06-2S-\*\*\*\*. (\*\*\*\* = ALL MODIFICATIONS)
- 2. DIMENSION TOLERANCE ±.025 [.64].

NOTES: 1. ALL DIMENSIONS ARE INCHES (mm).

SIGNATURE & DATE	
DR	P. BURKE 08/12/02
CHK	<i>[Signature]</i> 3/14/06
PE	<i>[Signature]</i> 2/6/06
APPD	<i>[Signature]</i> 2/3/06
SCALE	NONE
WT	

**2 WAY RECEPTACLE  
TRANSIENT VOLTAGE  
SUPPRESSOR (T.V.S.)  
DT SERIES**

ENVELOPE

CP	MATL. CODE
<b>The Deutch Company</b> DEUTSCH I.P.D. 3850 INDUSTRIAL AVE. HEMET, CALIF. 92545	
<b>B</b>	<b>DT04-2P-RT06</b>
DWG SIZE	CODE 11139 SHEET 1 OF 1