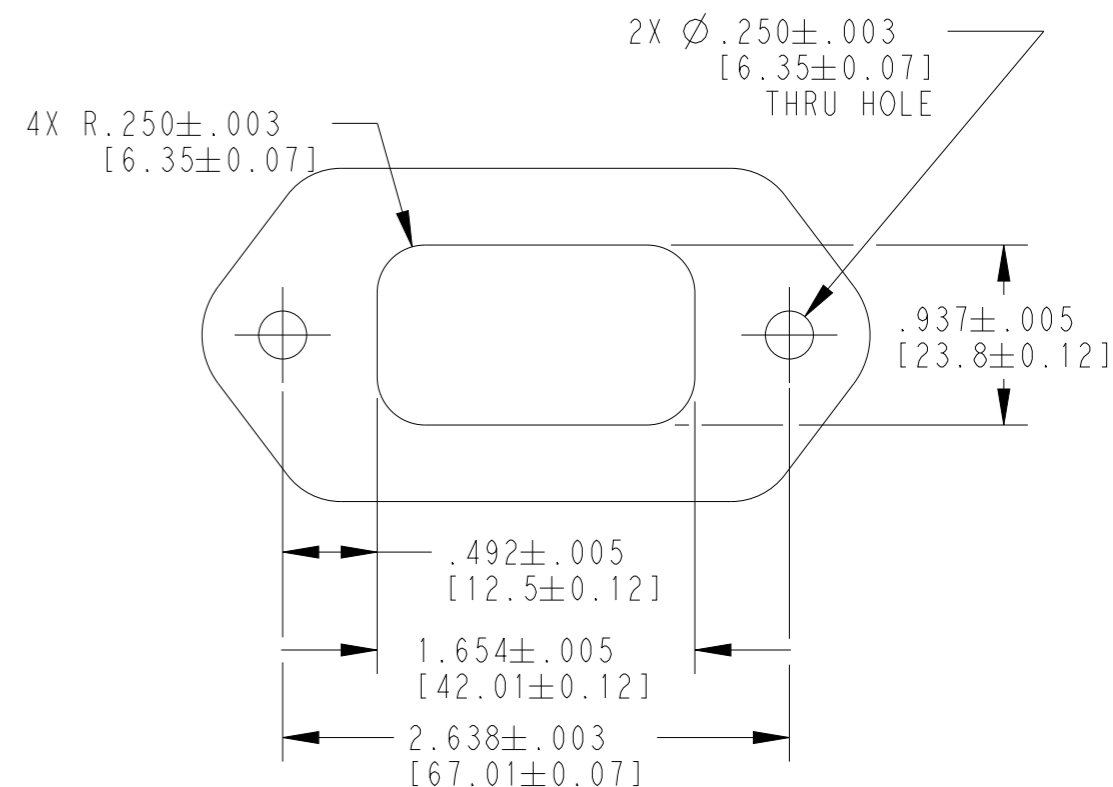
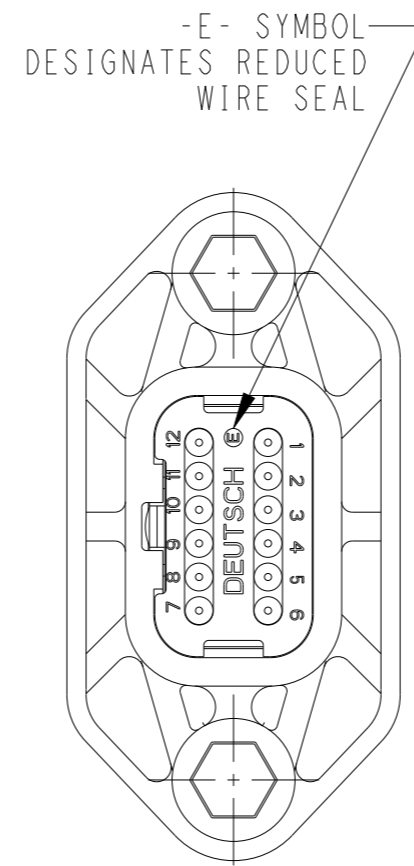
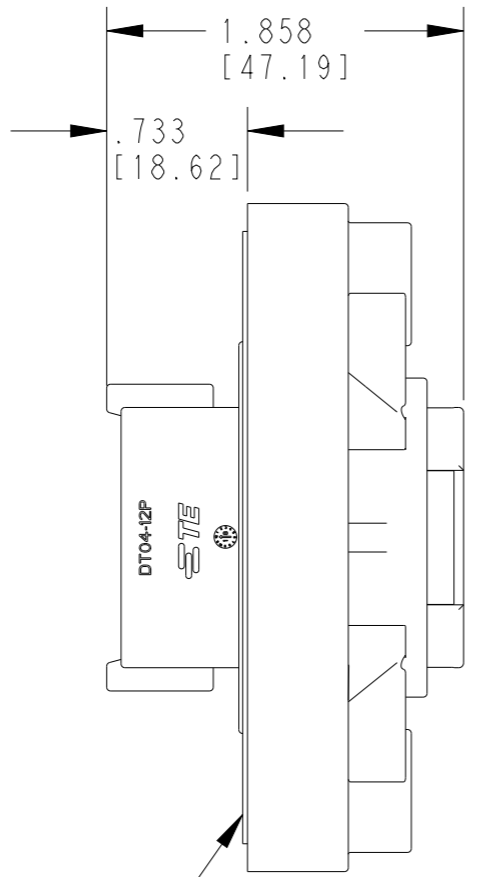
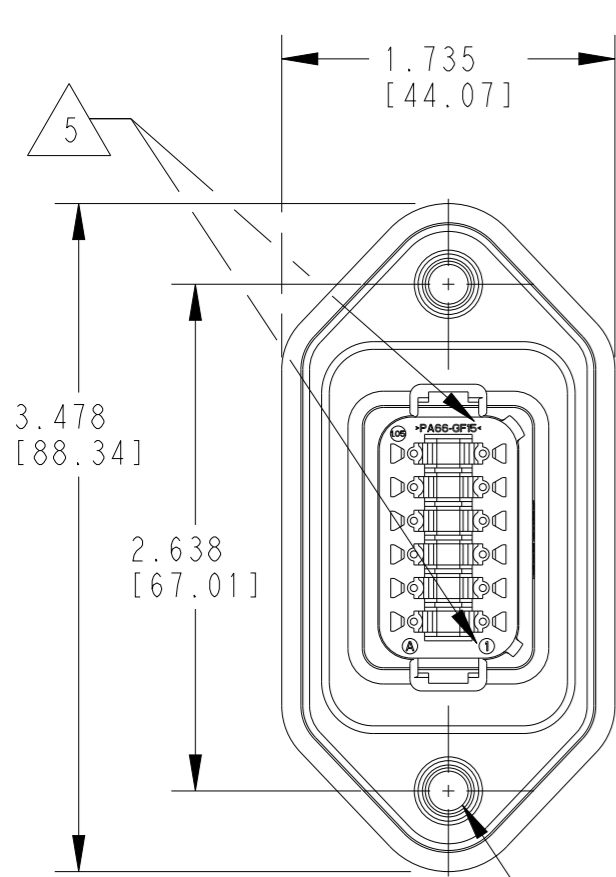


P	LTR	DESCRIPTION	DATE	DWN	APVD
	A	REVISED PER PCN E-17-012564	28AUG2017	JA	DM
	B	REVISED PER PCN E-19-014633	13FEB2019	AK	NS
	B1	REVISED PER PCN E-21-003453	04MAY2022	AP	IG
	C	REVISED PER PCN-23-192205	06FEB2024	RK	CB



2X THREADED INSERT  
 M6 X .500 DEEP  
 RECOMMENDED TORQUE:  
 62-88 IN-LB [7-10 N-m]

FLANGE SEAL IS INTENDED  
 FOR NON-PRESSURIZED  
 FLUID SPLASH ONLY

**RECOMMENDED MOUNTING  
 DETAIL**

TE INTERNAL PN	DEUTSCH PN
DT04-12PA-CL11	DT04-12PA-CL11
DT04-12PB-CL11	DT04-12PB-CL11
DT04-12PC-CL11	DT04-12PC-CL11
DT04-12PD-CL11	DT04-12PD-CL11

CONTACT SIZE	MIN. INSUL O.D.	MAX. INSUL O.D.	WIRE RANGE [mm <sup>2</sup> ] REF ONLY
16	.053 [1.34]	.120 [3.04]	14-20 AWG [2.5-0.5]

- 5 DATE CODE: MONTH IS REPRESENTED BY SEQUENTIAL ALPHA CHARACTERS. EX: A = JANUARY, YEAR IS REPRESENTED BY LAST NUMERICAL DIGIT. EX: 0 = 2010
- 4 COLOR OF FLANGE & WELD CAP IS BLACK FOR ALL KEY ARRANGEMENTS WHILE COLOR OF SHELL DEPENDS ON KEY ARR. AS SHOWN ON SHEET 2.
- 3 MATERIAL: HOUSING, CAP, FLANGE: PA66 GF15  
 GROMMET, GASKET: VMQ (BURNT RED)  
 INSERTS: STAINLESS STEEL

2. THIS RECEPTACLE MATES WITH DT06-12SX-XXXX PLUG.  
 (X = KEY ARR. A,B,C, OR D, XXXX = ALL MODIFICATIONS)  
 CONSULT FACTORY FOR MODIFICATIONS.

1 FOR CONTACTS AND WIRE PERFORMANCE AND APPLICATION CHARACTERISTICS, SEE ENVELOPE DRAWING 0425-015-0000.

NOTES: UNLESS OTHERWISE SPECIFIED

THIS DRAWING IS A CONTROLLED DOCUMENT.		DWN A. MALAGON 27DEC2005	<b>TE</b> TE Connectivity			
DIMENSIONS: in [mm]		CHK B. BYFORD 24JAN2006				
TOLERANCES UNLESS OTHERWISE SPECIFIED:		APVD S. BEARD 18JAN2006	NAME 12 WAY RECEPTACLE WITH REDUCED WIRE SEAL, -CL11 MOD DT SERIES			
0 PLC ± 1 PLC ± 2 PLC ± 3 PLC ±.025 [0.64] 4 PLC ± ANGLES ±° 30' 0"		PRODUCT SPEC 108-151009				
MATERIAL		APPLICATION SPEC 114-151009	SIZE A3	CAGE CODE 4AFU8	DRAWING NO DT04-12PX-CL11	RESTRICTED TO -
FINISH		WEIGHT 83.04g	SCALE 1:1		SHEET 1 OF 2	REV C
3		CUSTOMER DRAWING				

4

3

2

1

THIS DRAWING IS UNPUBLISHED.

RELEASED FOR PUBLICATION

2017

© COPYRIGHT 2005

BY TE CONNECTIVITY

ALL RIGHTS RESERVED.

REVISIONS

P	LTR	DESCRIPTION	DATE	DWN	APVD
-		SEE SHEET 1	-	-	-

DT04-12PA-CL11  
KEY ARR. -A-  
SHELL COLOR : GRAY  
(FLANGE & WELD CAP ARE BLACK FOR ALL KEY ARR.)

DT04-12PB-CL11  
KEY ARR. -B-  
SHELL COLOR : BLACK

DT04-12PC-CL11  
KEY ARR. -C-  
SHELL COLOR : GREEN

DT04-12PD-CL11  
KEY ARR. -D-  
SHELL COLOR : BROWN

KEYWAYS -A-

KEYWAYS -B-

KEYWAYS -C-

KEYWAYS -D-

THIS DRAWING IS A CONTROLLED DOCUMENT.

DWN 27DEC2005  
A. MALAGONCHK 24JAN2006  
B. BYFORDAPVD 18JAN2006  
S. BEARD

PRODUCT SPEC

108-151009

APPLICATION SPEC

114-151009

WEIGHT 83.04g

CUSTOMER DRAWING

DIMENSIONS:  
in [mm]

3

TOLERANCES UNLESS  
OTHERWISE SPECIFIED:

0 PLC	±
1 PLC	±
2 PLC	±
3 PLC	±.025 [0.64]
4 PLC	±
ANGLES	±0° 30' 0"

FINISH

TE Connectivity

NAME  
12 WAY RECEPTACLE  
WITH REDUCED WIRE SEAL, -CL11 MOD  
DT SERIES

SIZE	CAGE CODE	DRAWING NO	RESTRICTED TO
A3	4AFU8	DT04-12PX-CL11	-

SCALE	SHEET	OF	REV
1:1	2	2	C

1470-19 (3/13)