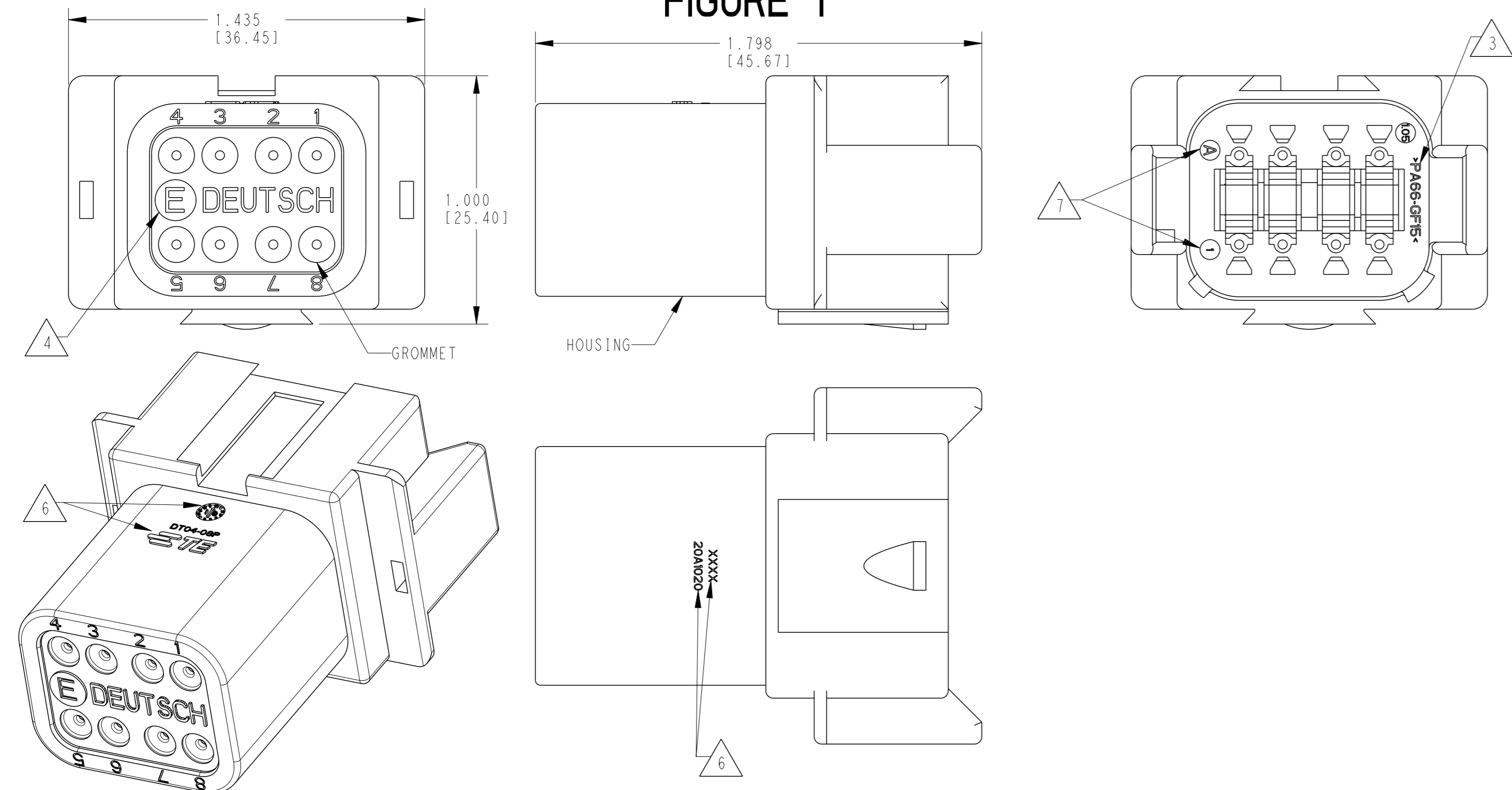
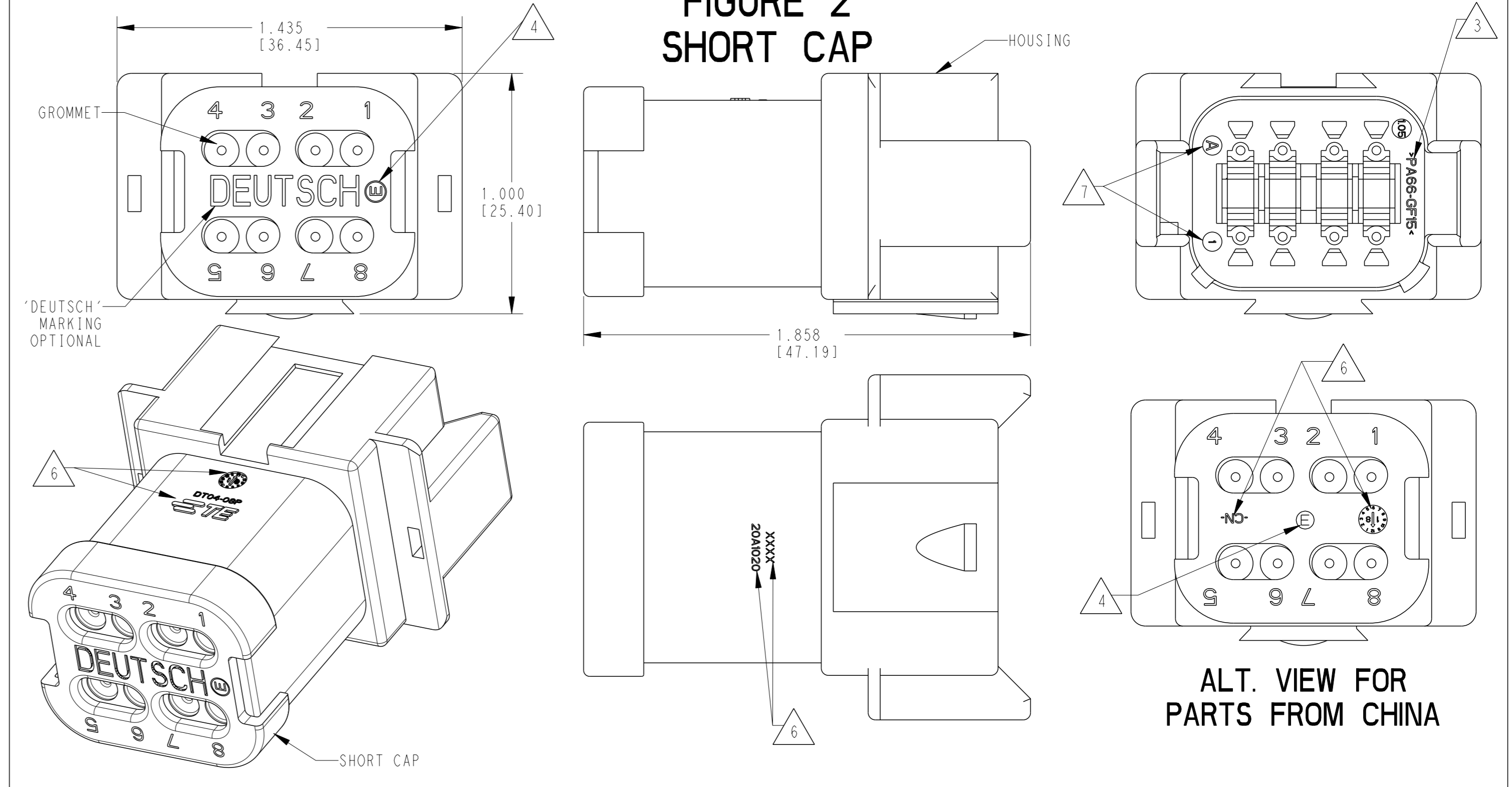


REVISIONS				
REV	DATE	DESCRIPTION	BY	APPV
A	16DEC2021	INITIAL RELEASE PER E-21-003453	AP	IG
A1	30SEP2022	REVISED PER PCN-22-154423	AM	IG
B	05FEB2024	REVISED PER PCN-23-192205	RK	CB
B1	17SEP2024	REVISED PER PCN-24-220935	PS	CB

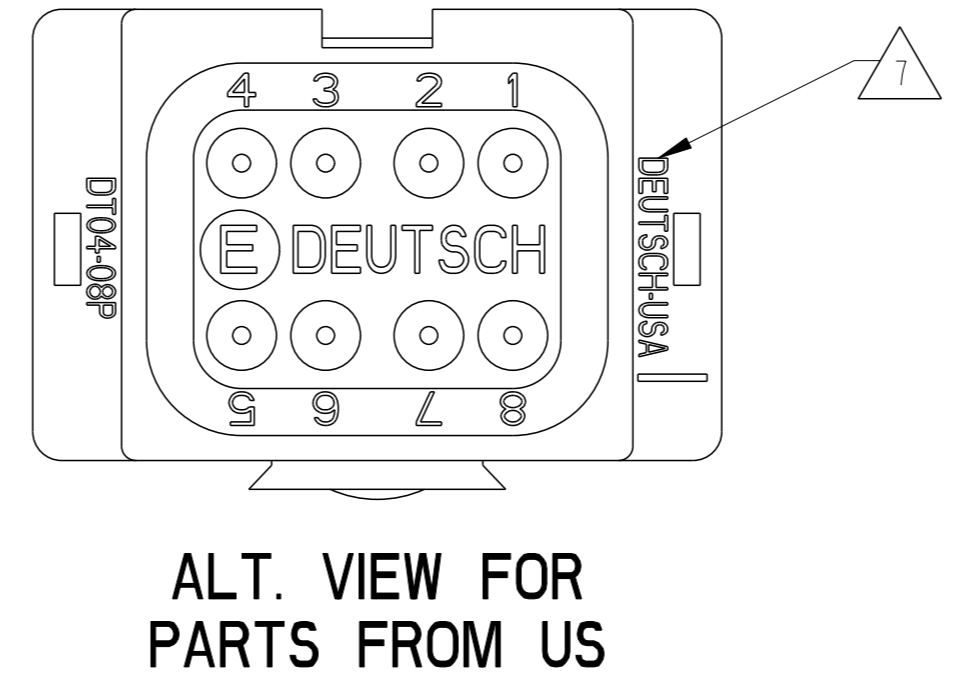
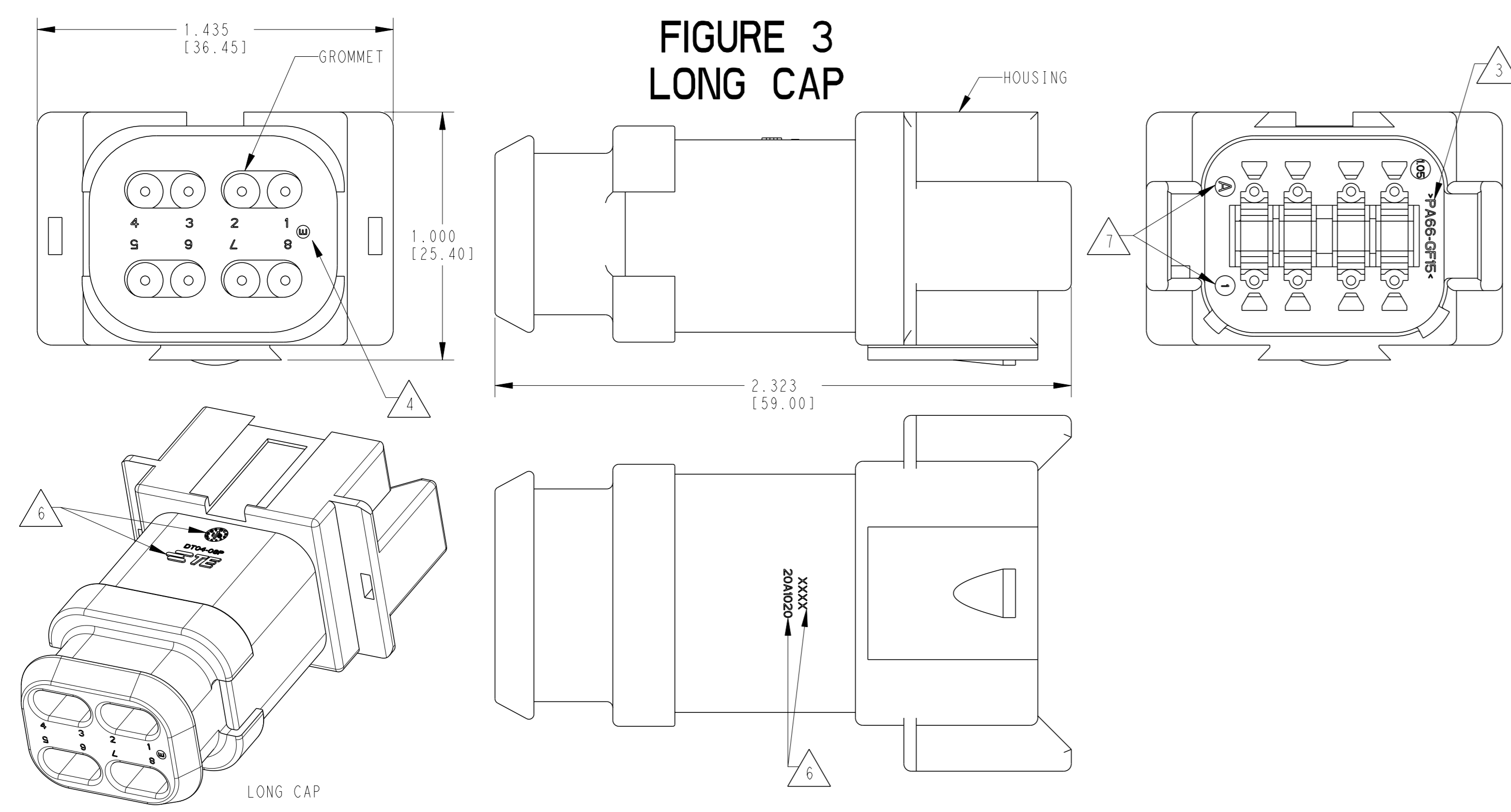
**FIGURE 1**



**FIGURE 2 SHORT CAP**



**FIGURE 3 LONG CAP**



**ALT. VIEW FOR PARTS FROM CHINA**

**ALT. VIEW FOR PARTS FROM US**

CONTACT SIZE	WIRE RANGE	INSULATION OD SEALING RANGE	SEAL IDENTIFICATION
16	14-20 AWG [2.5-0.5mm <sup>2</sup> ]	.088-.145 [2.23-3.68]	STANDARD SEAL
		.053-.120 [1.35-3.05]	EXTRA THIN SEAL E-SEAL

TE INTERNAL PART NUMBER	DEUTSCH PART NUMBER	PN REV	HOUSING COLOR	STANDARD SEAL	EXTRA THIN SEAL E-SEAL	BLOCKED SEAL	SHORT CAP	LONG CAP	FIGURE
DT04-08PX	DT04-08PX	A	ALL	X					1
DT04-08PX-C015	DT04-08PX-C015	F	ALL		X				1
DT04-08PX-C017	DT04-08PX-C017	B	ALL			X	X		2
DT04-08PX-CE01	DT04-08PX-CE01	D	ALL		X		X		2
DT04-08PA-CE02	DT04-08PA-CE02	B	BLACK		X				1
DT04-08PA-CE03	DT04-08PA-CE03	B	BLACK		X		X		2
DT04-08PA-CE04	DT04-08PA-CE04	C	GRAY		X			X	3
DT04-08PA-CE09	DT04-08PA-CE09	AC	BLACK		X			X	3
DT04-08PA-CE26	DT04-08PA-CE26	A	BLACK			X	X		2
DT04-08PX-E003	DT04-08PX-E003	B	ALL	X			X		2
DT04-08PA-E004	DT04-08PA-E004	A	BLACK	X					1
DT04-08PA-E005	DT04-08PA-E005	A	BLACK	X			X		2
DT04-08PX-E008	DT04-08PX-E008	B	ALL	X				X	3
DT04-08PA-EE01	DT04-08PA-EE01	A	BLACK	X				X	3
DT04-08PX-EP04	DT04-08PX-EP04	D	ALL	X			X		2
DT04-08PX-P004	DT04-08PX-P004	C	ALL	X					1

- △ 6 MARKING FOR PARTS PRODUCED IN CHINA:
- XXXX IDENTIFIES THE MODIFICATION NUMBER, IF APPLICABLE. EXAMPLE: "E003" FOR DT04-08PA-E003, OR BLANK FOR DT04-08PA
  - DATE CODE: IDENTIFIES THE YEAR, MONTH, DAY AND HOUR OF ASSEMBLY.  
YEAR: FIRST AND SECOND DIGIT. (17 = 2017)  
MONTH: THIRD DIGIT, EXCLUDING 1. A = JAN, B = FEB, C = MARCH ... (K = OCTOBER)  
DAY: FOURTH AND FIFTH DIGITS (14 = 14th DAY)  
HOUR: SIXTH AND SEVENTH DIGITS (11 = 11AM)
  - DIAL DATE CODE LOCATED ON HOUSING AND/OR CAP.  
-CN LOCATED ON HOUSING AND/OR CAP.
- △ 7 MARKING FOR PARTS PRODUCED IN US:
- DATE CODE: YEAR TO BE LAST NUMERICAL DIGIT, EX: 1 = 2021  
MONTH USES SEQUENTIAL ALPHA CHARACTERS, EX: A = JANUARY  
-DEUTSCH

- △ 4 "E" IDENTIFIES E-SEAL, LOCATED APPROX. AS SHOWN.
- △ 3 MATERIAL: HOUSING: PA66 GF15. SEE TABLE FOR COLOR  
SHORT, LONG CAP: PA66 GF15, BLACK  
GROMMET: E-SEAL VMO (BURNT RED)  
N-SEAL VMO (RED-ORANGE)  
BLOCKED VMO (RED-ORANGE)
2. THIS RECEPTACLE MATES WITH DT06-08SX-XXXX PLUG (X = A,B,C,D KEY, XXXX = ALL MODIFICATIONS)
1. SECONDARY WEDGE LOCK SOLD SEPARATELY: W8P-XXXX. (XXXX = ALL MODIFICATIONS)
- NOTES: UNLESS OTHERWISE SPECIFIED

THIS DRAWING IS A CONTROLLED DOCUMENT.

TE Connectivity

8 WAY RECEPTACLE, STANDARD SEAL  
EXTRA THIN SEAL, SHORT AND LONG  
CAP, DT SERIES

44F8 ©=DT04-08PX-XXXX

SCALE 5:2 SHEET 1 OF 2 REV B1

Printed on 17 Sep 2024 13:31 (Eastern Standard Time) from TEE34946.

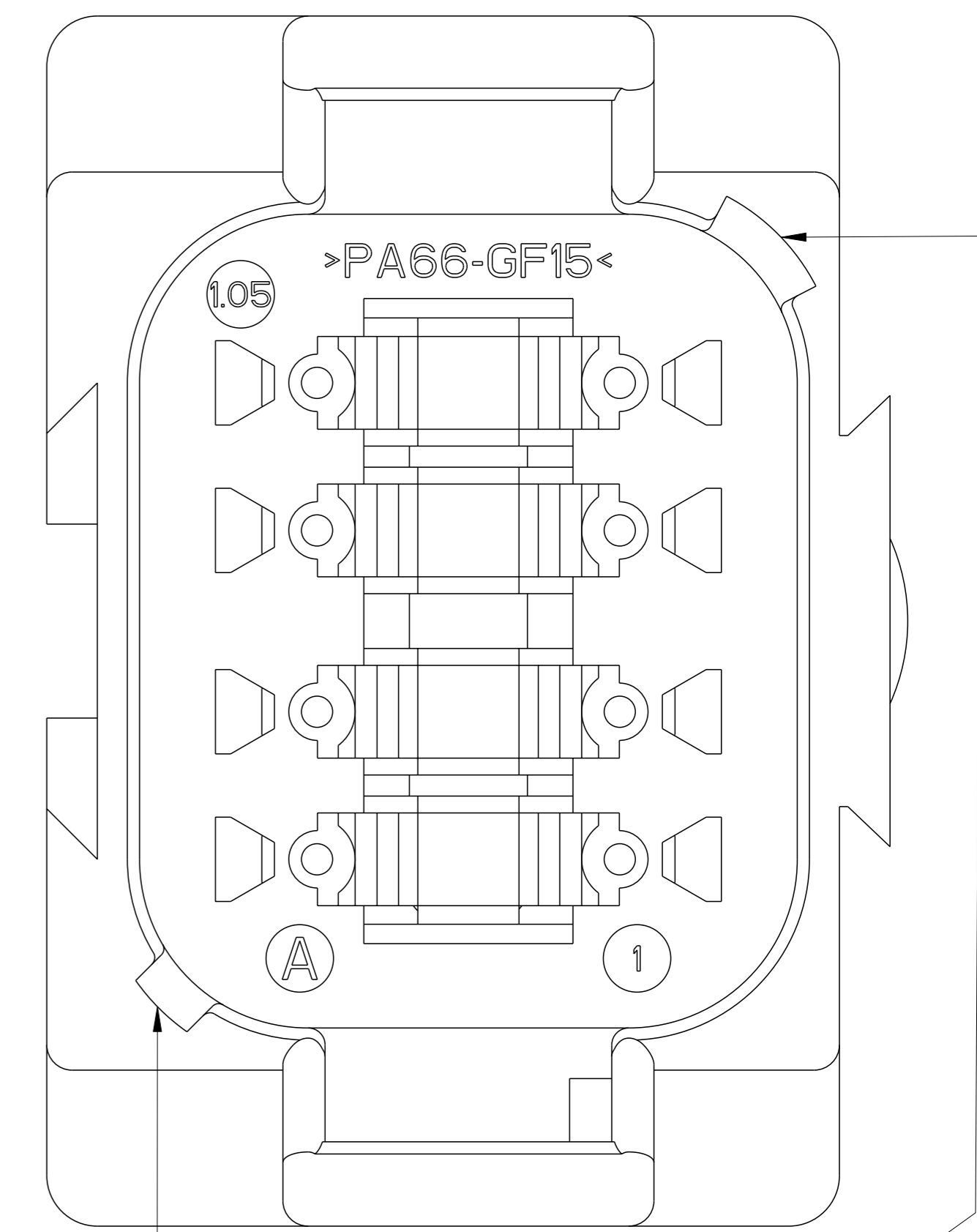
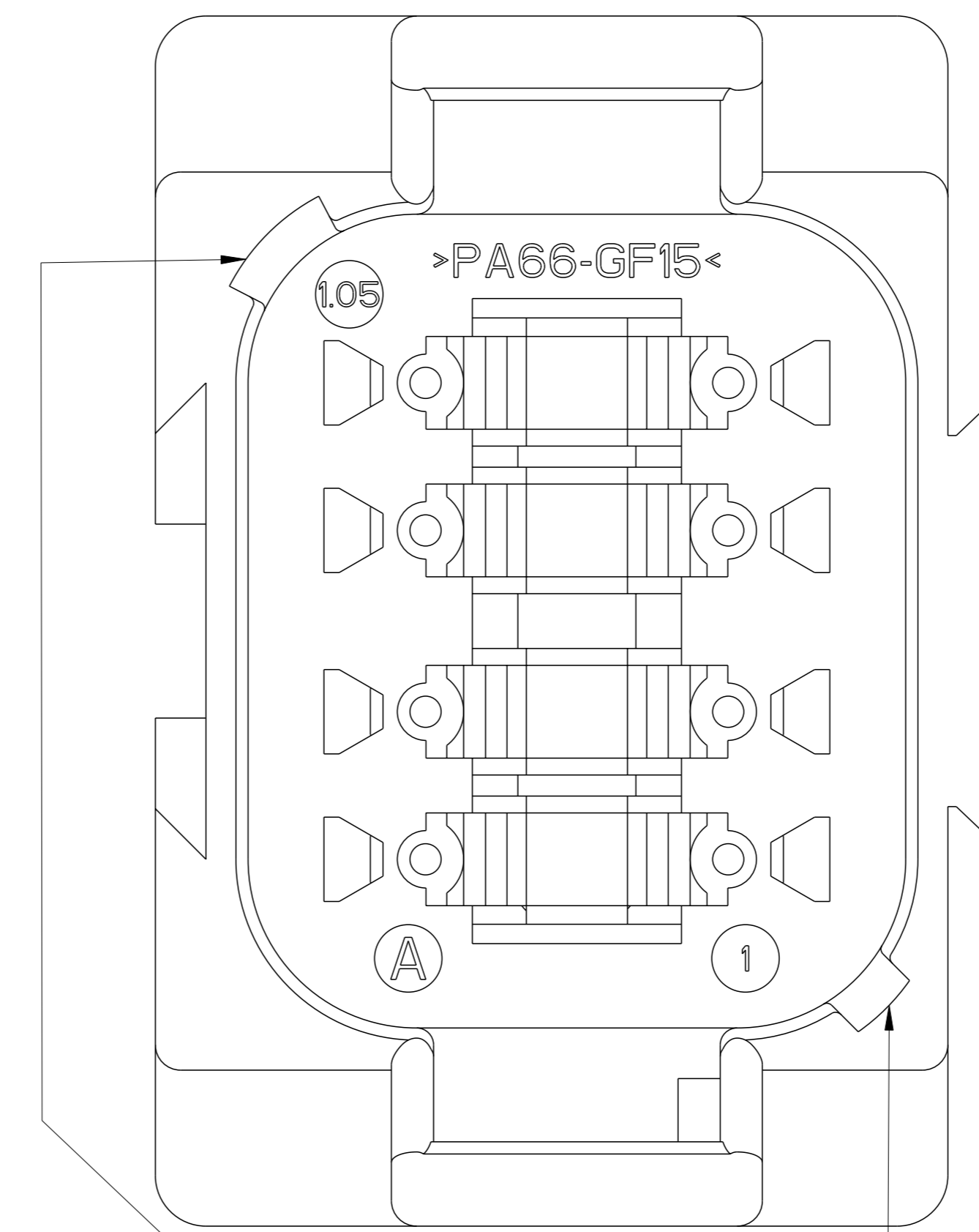
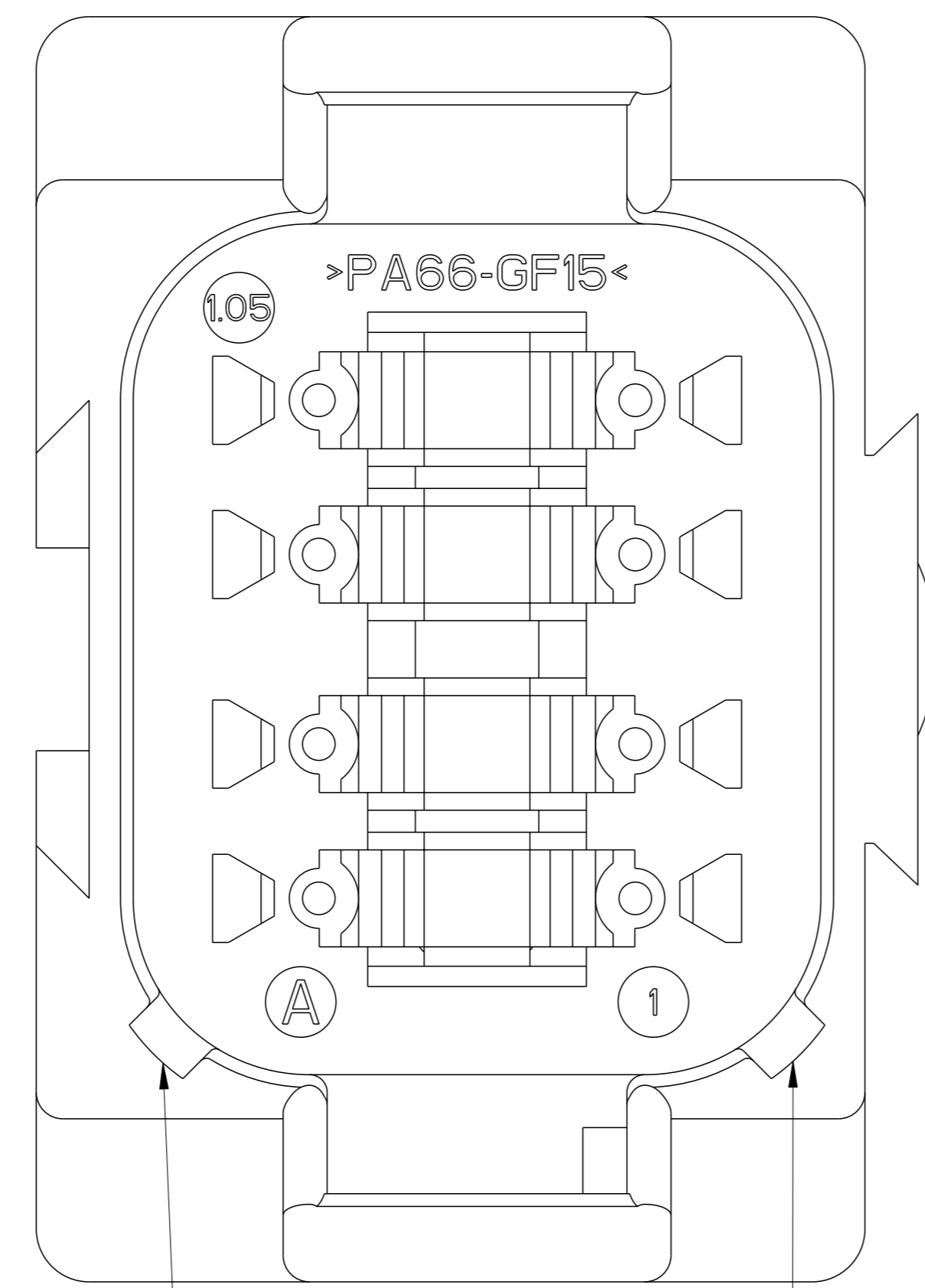
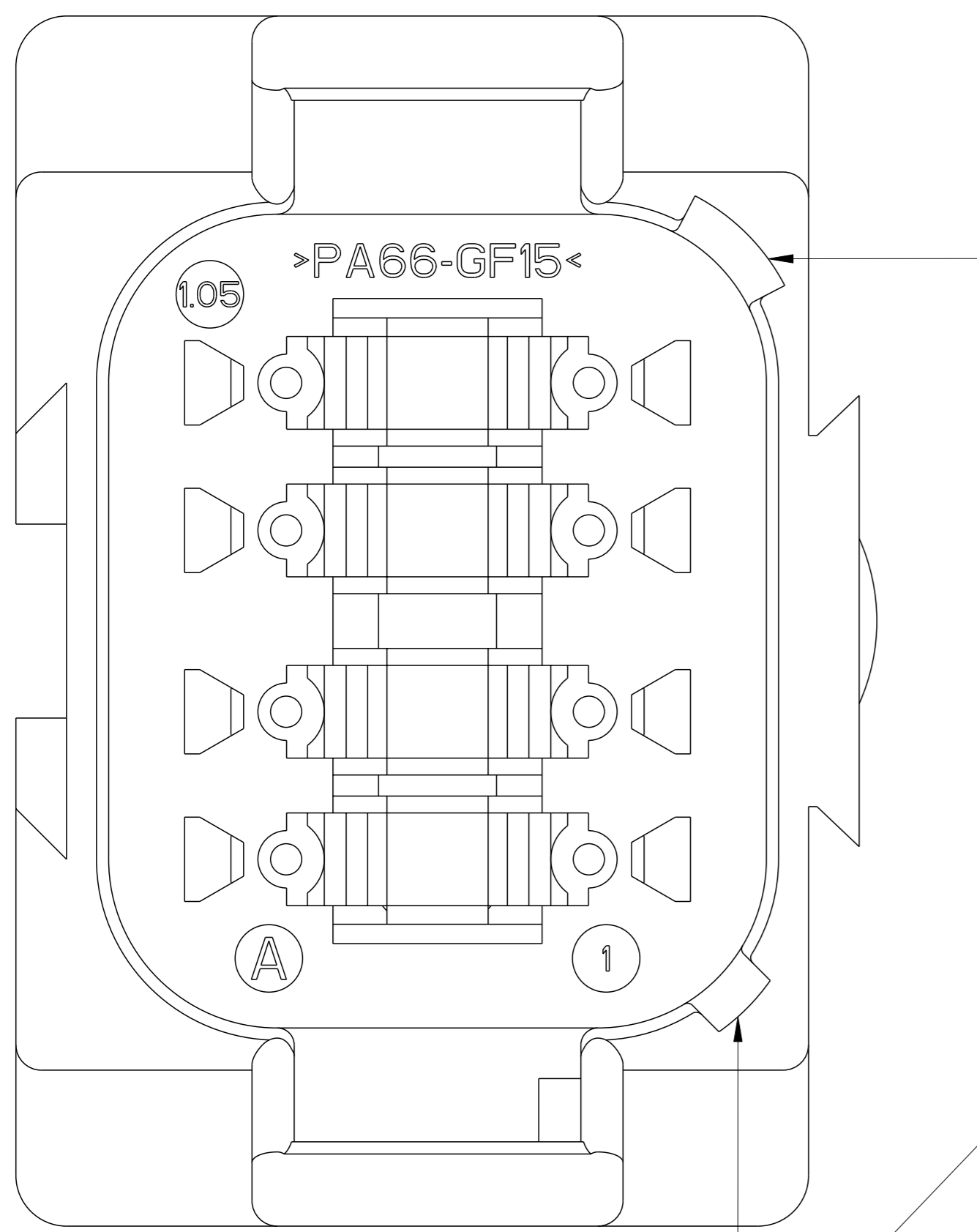
REVISIONS				
P	LY#	DESCRIPTION	DATE	APPD
-	-	SEE SHEET 1	-	-

DT04-08PA-XXXX  
 KEY -A-  
 HOUSING COLOR: GRAY  
 SEE PN TABLE FOR BLACK PNs

DT04-08PB-XXXX  
 KEY -B-  
 HOUSING COLOR: BLACK

DT04-08PC-XXXX  
 KEY -C-  
 HOUSING COLOR: GREEN

DT04-08PD-XXXX  
 KEY -D-  
 HOUSING COLOR: BROWN



KEY -A-

KEY -B-

KEY -C-

KEY -D-

THIS DRAWING IS A CONTROLLED DOCUMENT.		OWN: A. POLO 16DEC2021	<b>TE</b> TE Connectivity
DIMENSIONS: IN [mm]		CHK: R. MESSENGER 16DEC2021	
TOLERANCES UNLESS OTHERWISE SPECIFIED:		APVD: J. GRANICHAROVA 16DEC2021	NAME: 8 WAY RECEPTACLE, STANDARD SEAL EXTRA THING SEAL, SHORT AND LONG CAP, DT SERIES
0 PLC ±		PRODUCT SPEC: 108-151009	
1 PLC ±		APPLICATION SPEC: 114-151009	RESTRICTED TO: A   4AFU8 ©=DT04-08PX-XXXX
2 PLC ±		SIZE: 114-151009	
3 PLC ± 0.25 (0.64)		WEIGHT:	SCALE: 6:1 SHEET 2 OF 2 REV: B1
4 PLC ±		FINISH:	
ANGLES: 40° 30' 0"			
MATERIAL: 3		CUSTOMER DRAWING	