

# Technical Data

## Construction

Material, housing .....	PA, black
Material, cover .....	PA, black
Material, button .....	PA, RAL 5010
Material, symbols .....	PA printed RAL 7037
Illumination color, symbols .....	green
Illumination color, active symbol .....	blue
Protection interior .....	IP65 IEC 60529
connector .....	IP00 IEC 60529
Torque .....	max. 5 Nm
Weight .....	approx. 150g

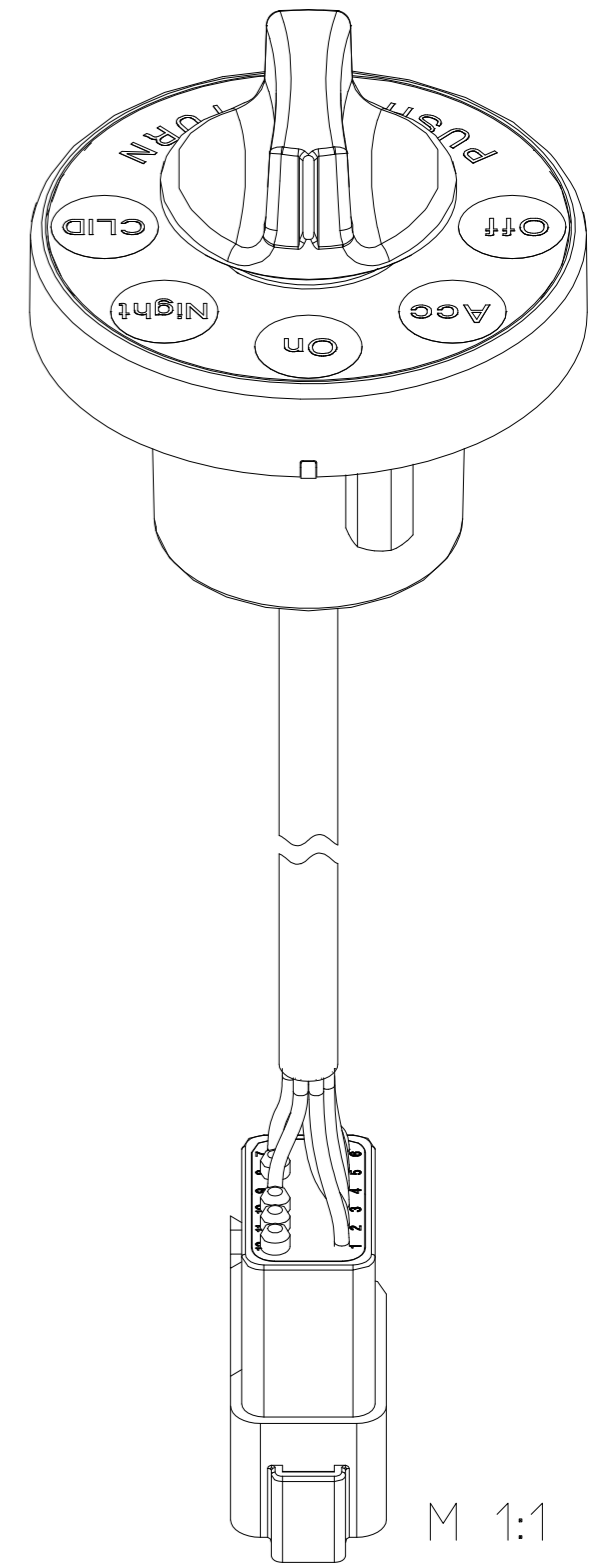
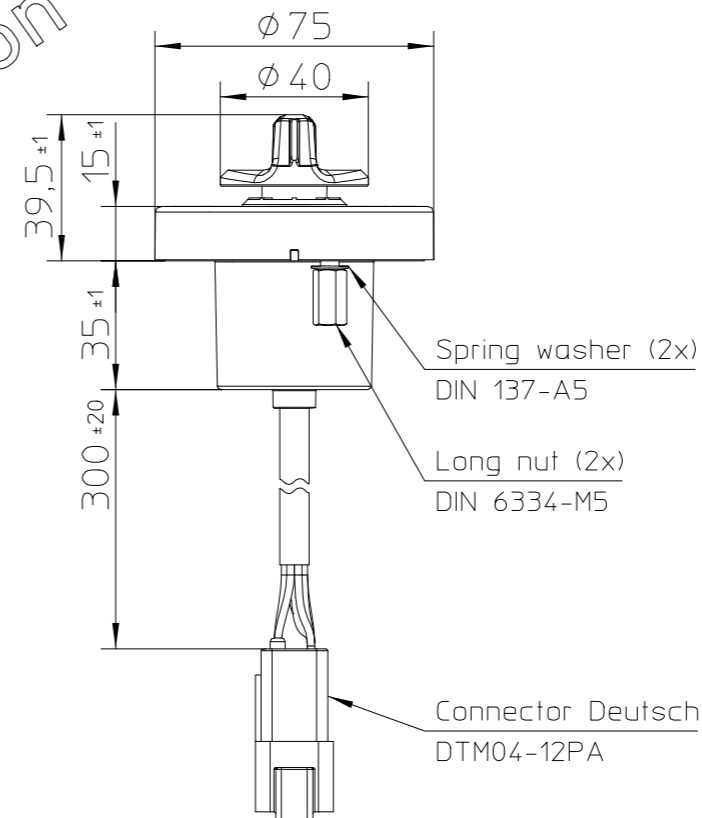
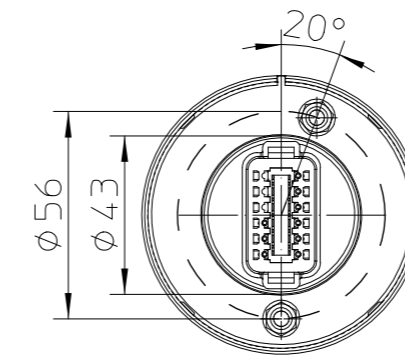
## Mechanic Data

Contact travel .....	5 ±0,5mm
Connected Pin 3,4,5,6,7 .....	0 to 3 ±0,5mm
Connected Pin 2 .....	3 ±0,5 to 5mm
Operating force .....	25 ± 5N
Current carrying parts .....	Cu alloy
Contact material .....	Ag alloy
Mechanical life .....	50 000 cycles
Temperature range .....	-30°C to +75°C
Vibration .....	i.a.w. ISO 16750-3 Test 4.1.2.9
Shock .....	i.a.w. ISO 16750-3 Test 4.2.2

## Electrical Data

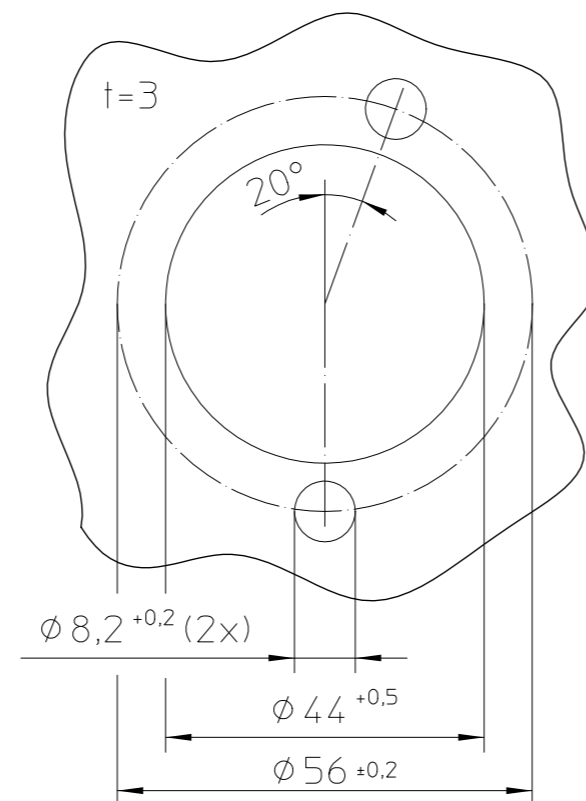
Voltage range .....	9VDC to 32VDC
Resistive load .....	10mA to 1A

preliminary  
in validation

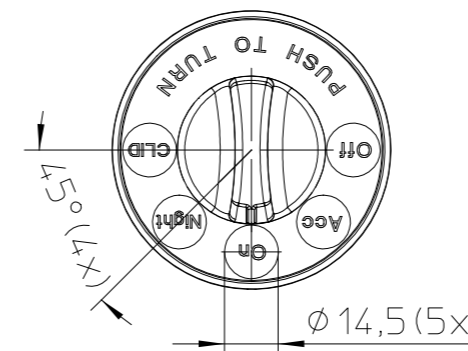
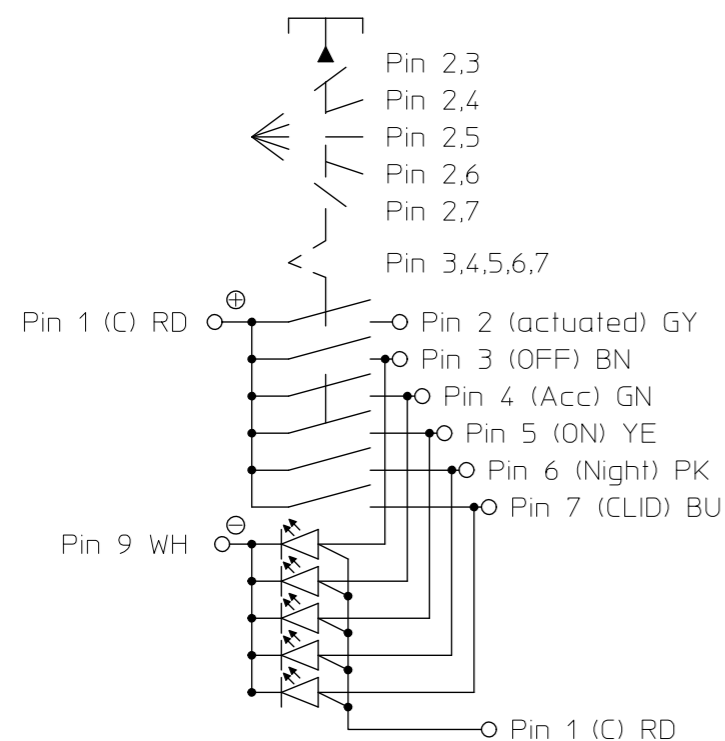


M 1:1

Mounting dimensions  
(dashboard)



Circuit diagram



Selector switch					Page 1 of 1	
	Date	Name	mm	Scale	Drawing No.:	
Create	28.03.2018	Baumg	↔	1:2	DS-153-BL12 901	
Edited	27.04.2020	WalzA		General Tolerances DIN ISO 2768 cL	NSN.:	
Check	27.04.2020	Baumg				