

Technical Data

Construction

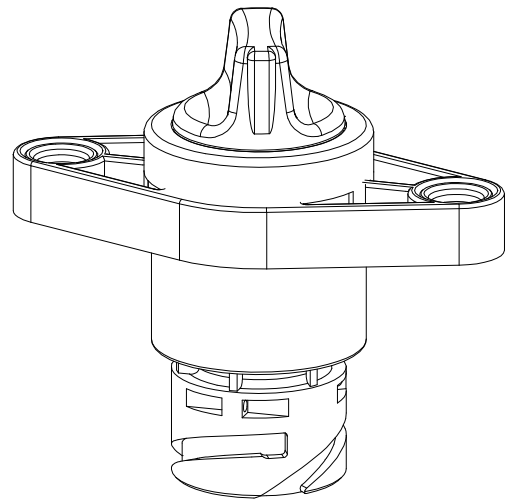
Socket materialPA black
 Rotary knob materialPA black
 Protection interior IP6K9K IEC 60529
 connector..... IP00 IEC 60529
 Max. torque (M6).....max. 10 Nm
 Weightapprox. 35g

Mechanical Data

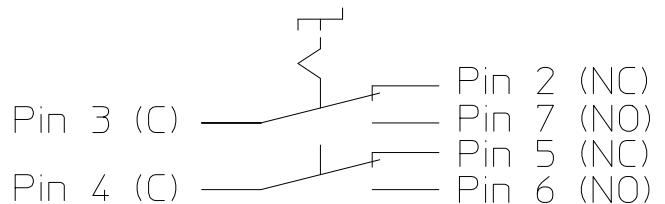
Total travel40°±3°
 Current carrying parts Cu-alloy
 Contact material Ag-alloy
 Mechanical life 100 000 cycles
 Temperature Range -40°C to +90°C

Electrical Data

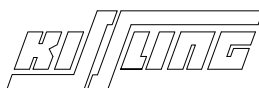
Voltage Range 9VDC to 32VDC
 Electrical load 10mA to 5A



Circuit Diagram



	Date	Name	mm	Scale
Drawn	07.03.2016	WalzA	↔	1:1
Check	19.07.2018	Drech	General Tolerances DIN ISO 2768 cL	



Drawing No:

DS-121-SW1

NSN: