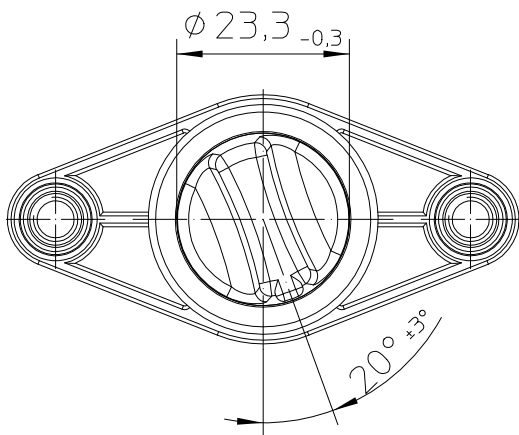


plug and socket device
6-pol in accordance to
DIN 72585 / ISO 15170



Technical Data

Construction

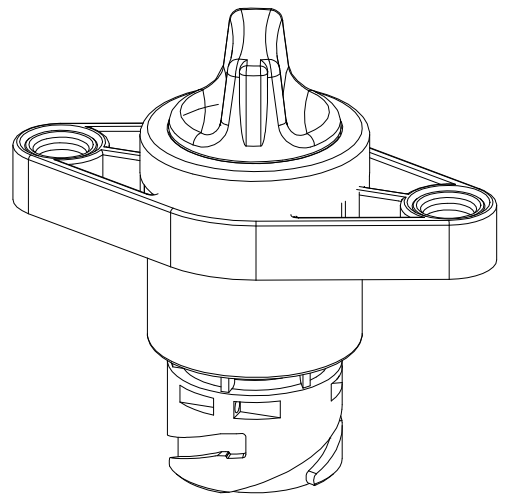
Socket material PA black
 Rotary knob material PA red
 Protection interior IP6K9K IEC 60529
 connector IP00 IEC 60529
 Max. torque (M6) 10 Nm
 Weight approx. 30g

Mechanical Data

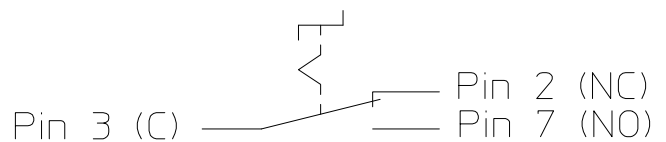
Total travel 40° ± 3°
 Current carrying parts Cu-alloy
 Contact material Ag-alloy
 Mechanical life 100 000 cycles
 Temperature Range -40°C to +90°C

Electrical Data

Voltage Range 9VDC to 32VDC
 Electrical load 10mA to 5A



Circuit Diagram



	Date	Name	mm	Scale
Drawn	03.06.2014	Drech	↔	1:1
Check	03.09.2018	Baumg	General Tolerances DIN ISO 2768 cL	



Drawing No:

DS-111-RT1 904

NSN: