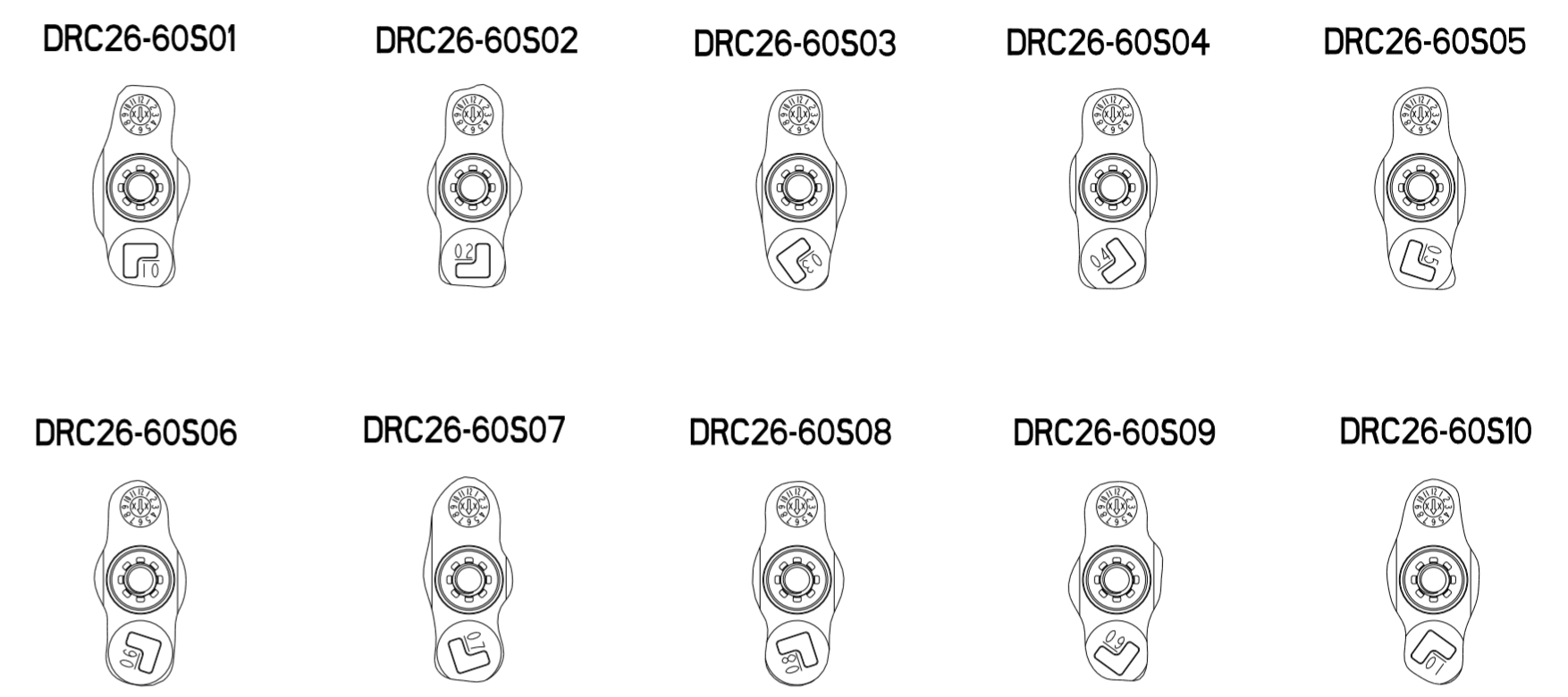
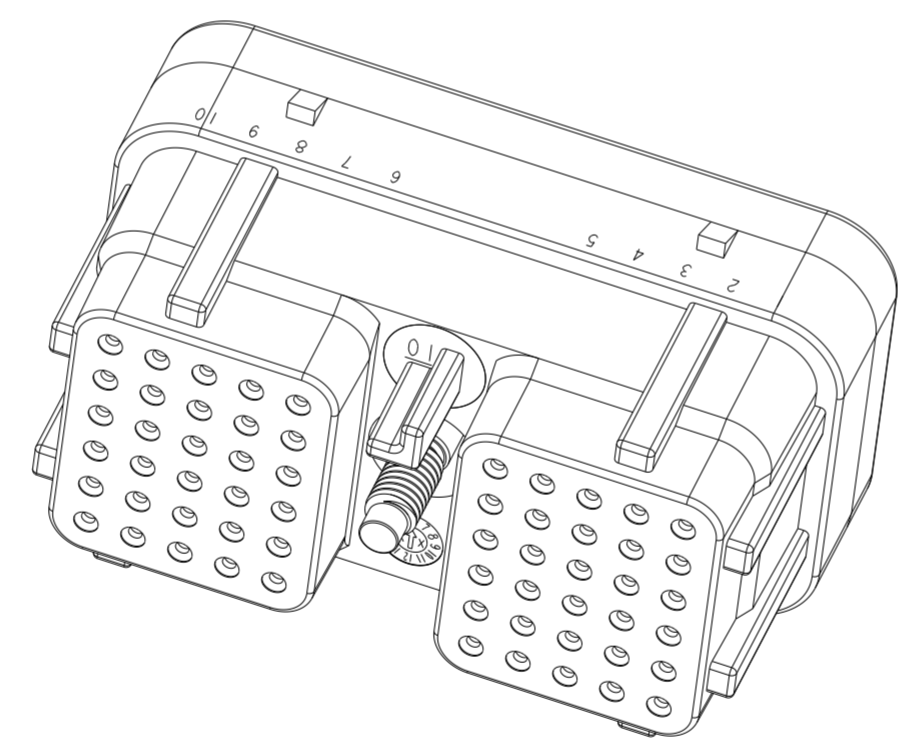
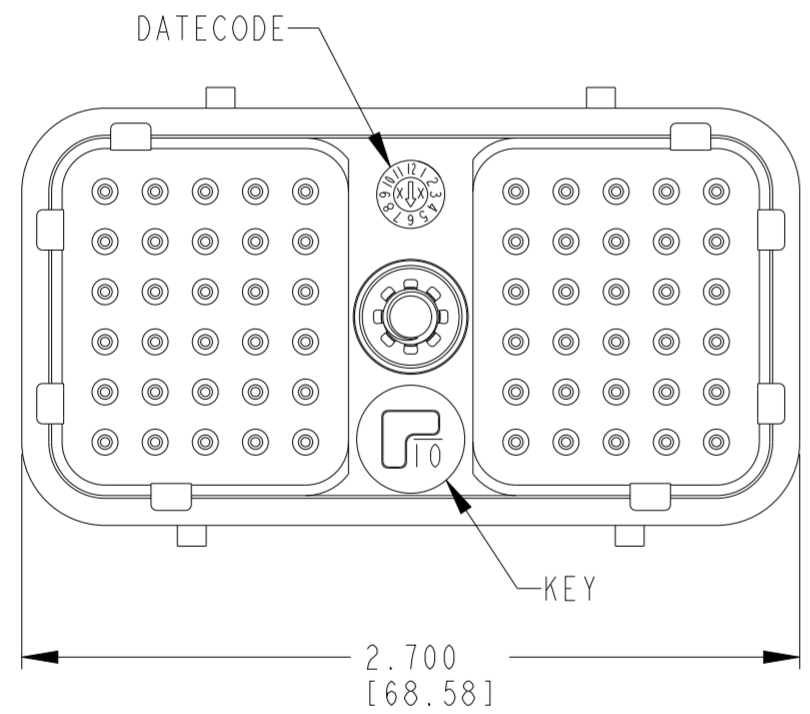
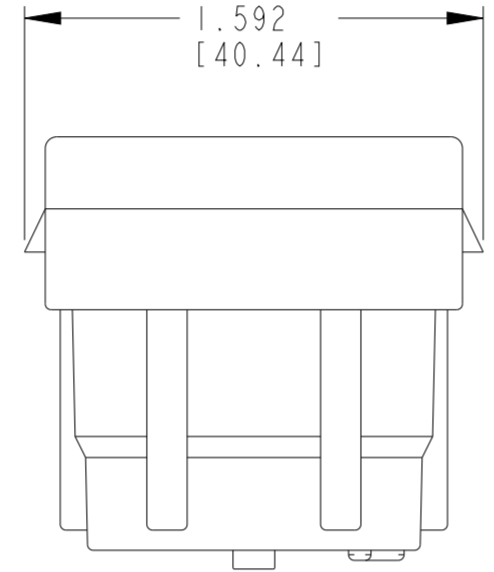
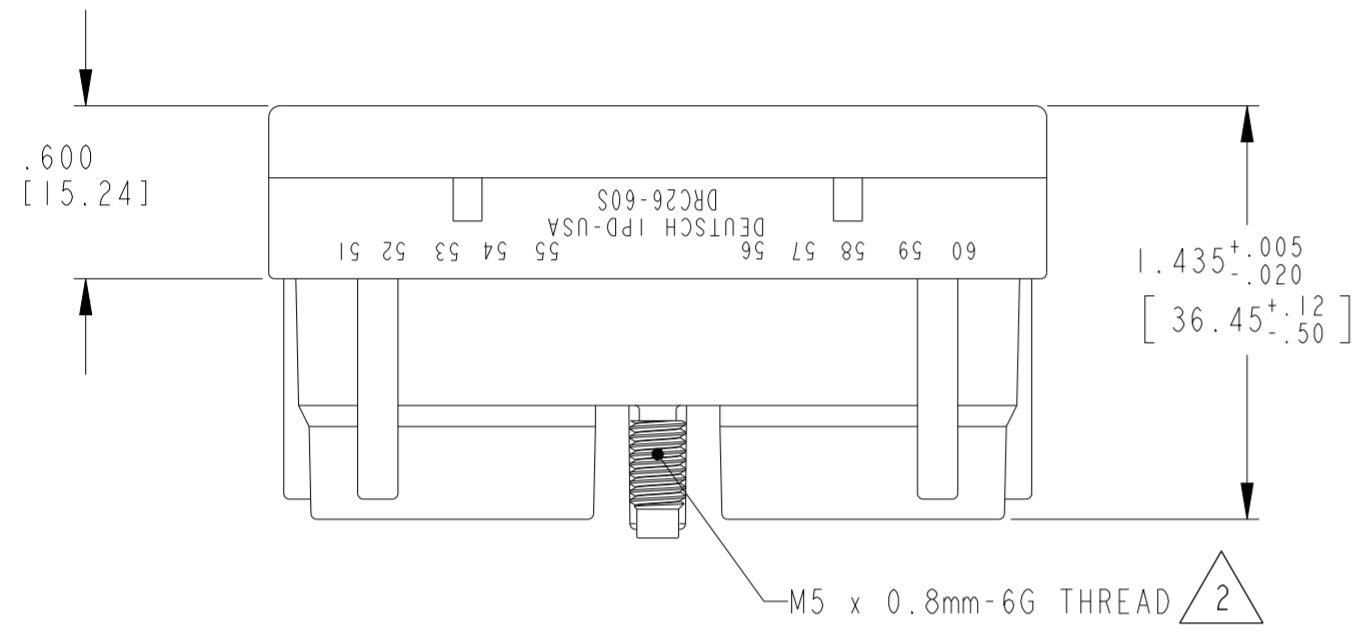
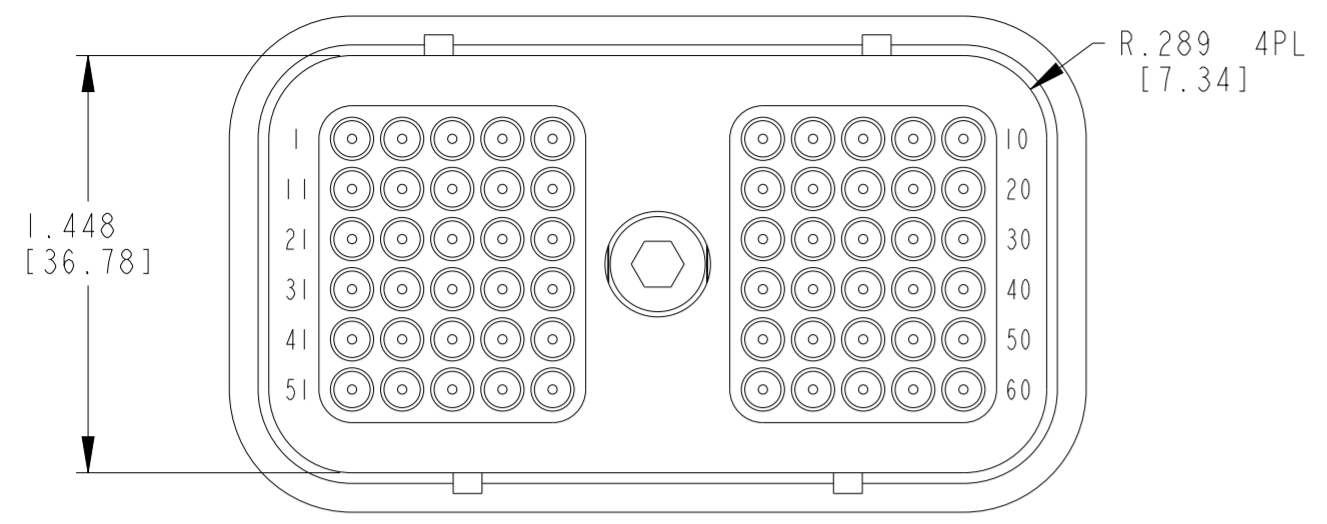


P	LTR	DESCRIPTION	DATE	DWN	APVD
	B	REVISED PER PCN-21-118564	04MAR2022	DRK	CB



KEY ORIENTATION

TCPN	ALIAS PART NUMBER
DRC26-60S01	DRC26-60S01
DRC26-60S02	DRC26-60S02
DRC26-60S03	DRC26-60S03
DRC26-60S04	DRC26-60S04
DRC26-60S05	DRC26-60S05
DRC26-60S06	DRC26-60S06
DRC26-60S07	DRC26-60S07
DRC26-60S08	DRC26-60S08
DRC26-60S09	DRC26-60S09
DRC26-60S10	DRC26-60S10

5. MATERIAL: HOUSING: PA46 30% GF (BLACK); BOLT: STEEL, TRIVALENT ZINC PLATED (ROHS COMPLIANT); CLIP: STEEL; GROMMET: VMQ
4. THIS PLUG MATES WITH 0944328L\*\*-\*\*\*\* RECPTACLE. (\*\* = KEY ARRANGEMENT; \*\*\*\* = ALL MODIFICATIONS)
3. FOR CONTACT AND WIRE PERFORMANCE AND APPLICATION CHARACTERISTICS SEE ENVELOPE DRAWING 0425-015-0000.
2. RECOMMENDED RETAINING BOLT TORQUE: 25-28 IN-LB [2.82-3.16Nm]
1. PLUG IS SUPPLIED WITH DUST CAP. (NOT SHOWN)

CONTACT SIZE	MIN. O.D.	MAX. O.D.	WIRE GAUGE RANGE
20	.040 [1.016]	.095 [2.413]	16 - 20 [1.00-0.50mm <sup>2</sup> ]

THIS DRAWING IS A CONTROLLED DOCUMENT.

DWN D MEYER 10SEPT1999	
CHK B BYFORD 20JUN2008	
APVD D MEYER 20JUN2008	NAME PLUG 60 CONTACTS, SIZE 20 DRC SERIES
PRODUCT SPEC 108-151052	SIZE A2
APPLICATION SPEC	CAGE CODE 00779
WEIGHT	DRAWING NO C-DRC26-60SXX
CUSTOMER DRAWING	RESTRICTED TO
SCALE 3:2	SHEET 1 OF 1
	REV B