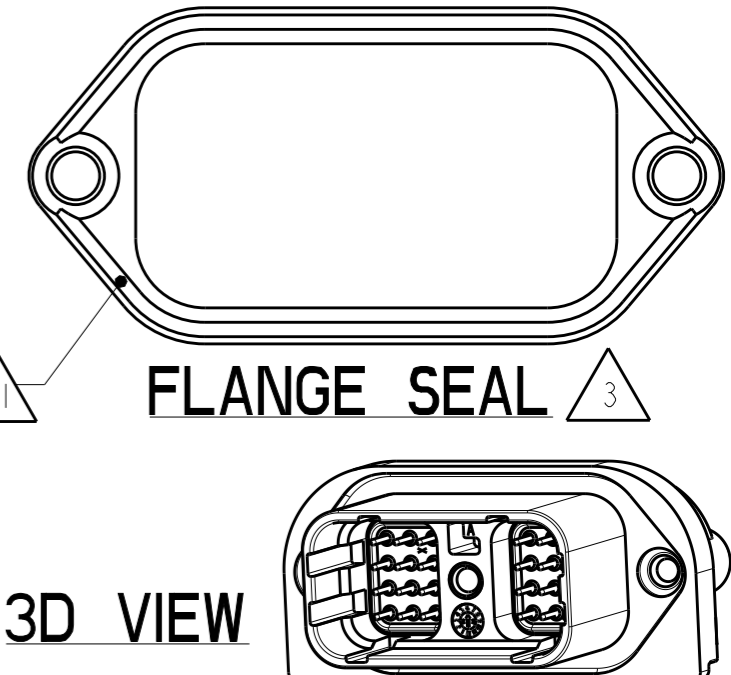
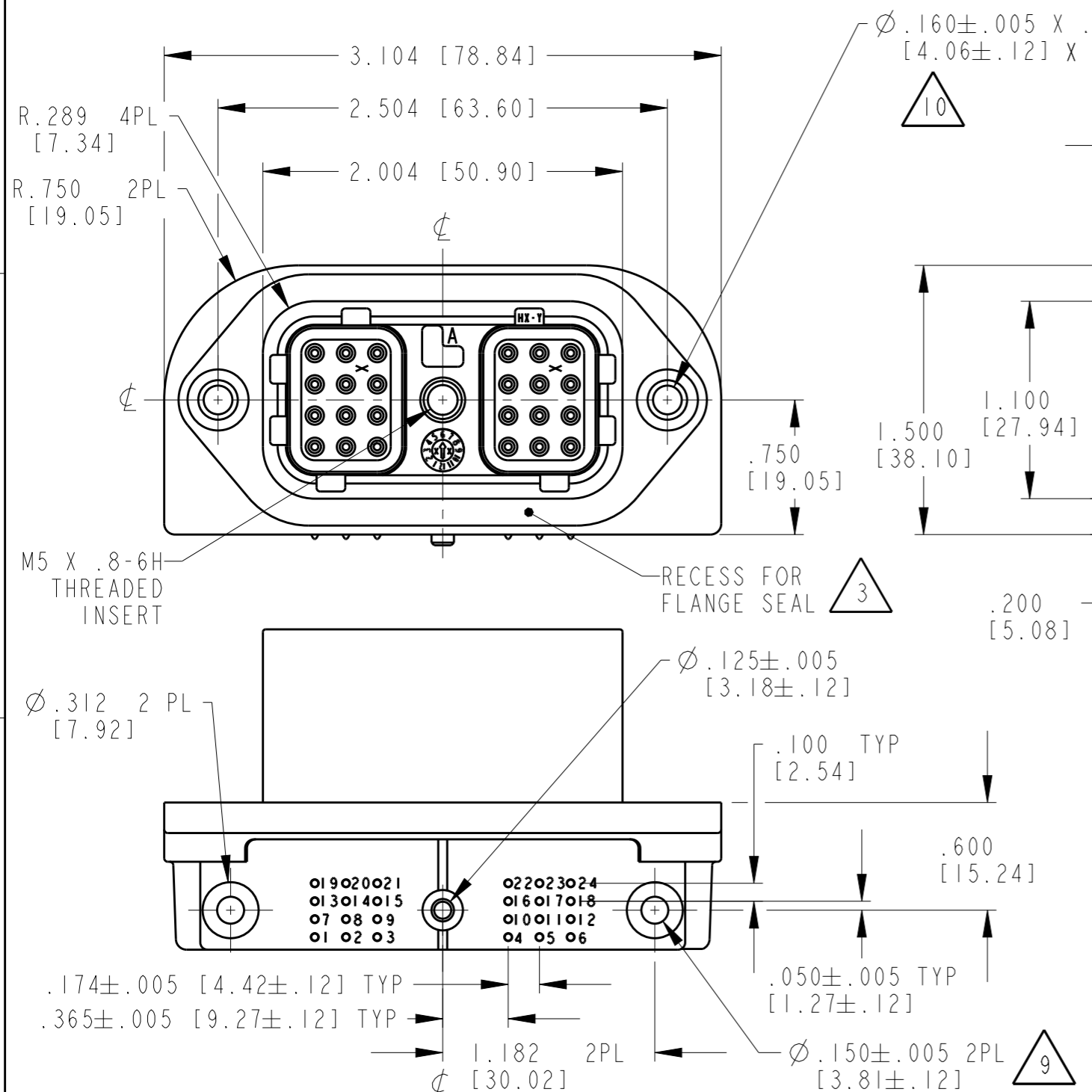


THIS DRAWING IS UNPUBLISHED
 RELEASED FOR PUBLICATION 2017
 © COPYRIGHT 2017 BY -TE CONNECTIVITY ALL RIGHTS RESERVED.

REVISIONS					
P	LTR	DESCRIPTION	DATE	DWN	APVD
	A	REVISED PER PCN-E-17-008015	02JUN2017	CM	DM



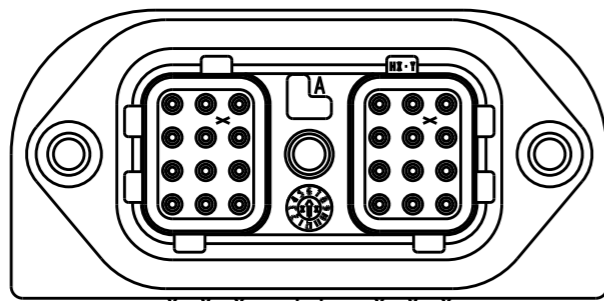
- 12 SURFACE FINISH: 32 RMS OR BETTER; \square .005 [.12].
- 11 FULLY SEAT THE FLANGE SEAL IN THE RECESS WITH THE RAISED SEAL FACING OUTWARD.
- 10 RECOMMENDED SCREW: 8-16 [M5 X 2.24] THREAD-FORMING SCREW. TORQUE: 25-30 IN-LB [2.82-3.39 NM].
- 9 RECOMMENDED SCREW: 7-18 [M4.06 X 1.41] THREAD-FORMING SCREW. TORQUE: 10-15 IN-LB [1.13-1.69 NM].
- 8. SEE SHEET 2 FOR OTHER KEY ARRANGEMENTS.
- 7. THIS RECEPTACLE MATES WITH DRC26-24SX-XXXX PLUG (X=A,B,C,D KEYS; XXXX=ALL MODIFICATIONS).

- 6. CONTACT PLATING - MATING SIDE: GOLD; PCB SIDE: TIN.
- 5. MATERIAL - PLASTIC (BLACK); INSERT: STEEL; SEALS: RUBBER.
- 4. RECEPTACLE IS SUPPLIED WITH DUST CAP (NOT SHOWN).
- 3. FLANGE SEAL (P/N 0513-028-2406) IS SHIPPED LOOSE WITH RECEPTACLE.
- 2. DIMENSION TOLERANCE: ±.025 [.64]; PANEL CUTOUT: ±.010 [.25].
- 1. DELETED.

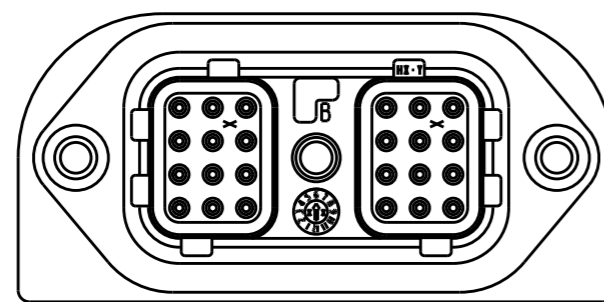
NOTES: UNLESS OTHERWISE SPECIFIED

THIS DRAWING IS A CONTROLLED DOCUMENT.		DWN J APOSTOL 07NOV2000		TE Connectivity	
DIMENSIONS: INCHES [mm]		CHK M PARRELLA 28DEC2000			
TOLERANCES UNLESS OTHERWISE SPECIFIED:		APVD R REED 28DEC2000		NAME RECEPTACLE 24 #20 SIZE CONTACTS KEY ARRANGEMENTS A,B,C AND D DRC SERIES	
0 PLC ± 2 1 PLC ± 2 PLC ± 3 PLC ± 4 PLC ± ANGLES ±		PRODUCT SPEC -		SIZE A3	
MATERIAL 5		FINISH 6		CAGE CODE 4AFU8	
		WEIGHT -		DRAWING NO. C=DRC23-24PX	
		CUSTOMER DRAWING		RESTRICTED TO -	
		SCALE 1.25:1		SHEET 1 OF 2	
				REV A	

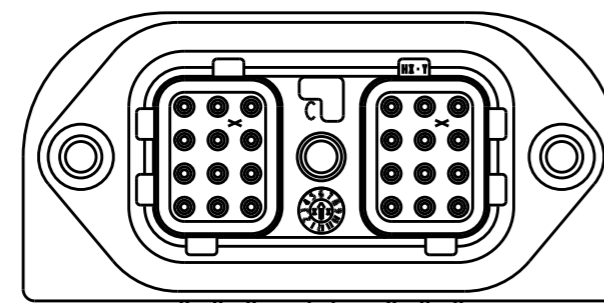
REVISIONS					
P	LTR	DESCRIPTION	DATE	DWN	APVD
	-	SEE SHEET 1	-	-	-



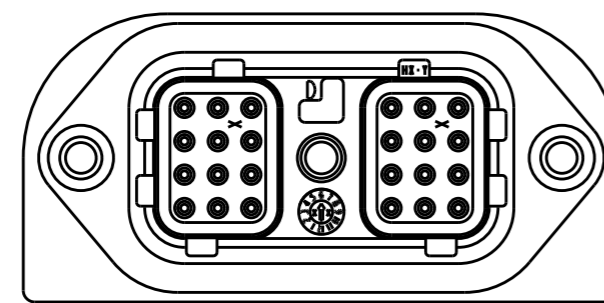
**KEY ARRANGEMENT -A-
DRC23-24PA**



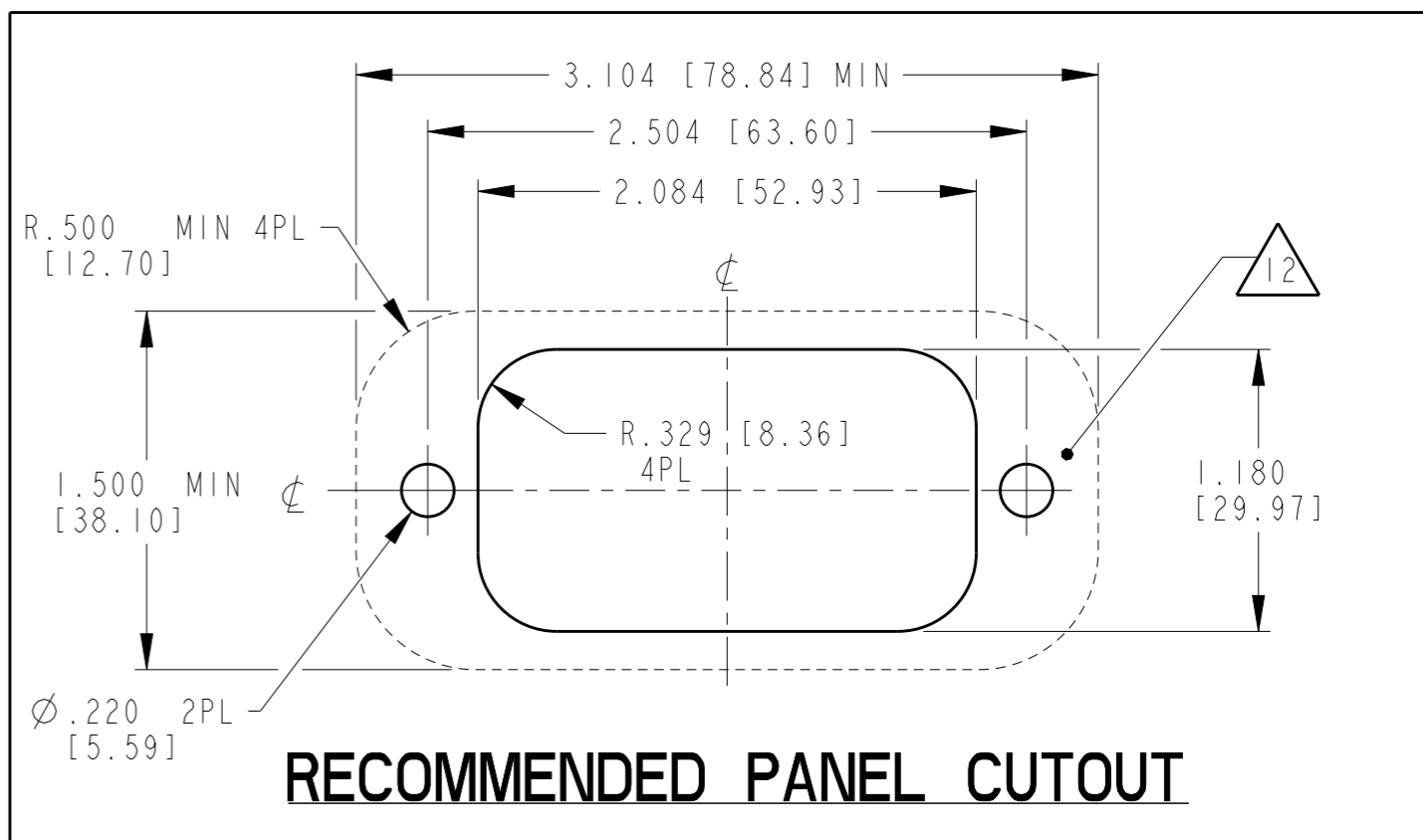
**KEY ARRANGEMENT -B-
DRC23-24PB**



**KEY ARRANGEMENT -C-
DRC23-24PC**



**KEY ARRANGEMENT -D-
DRC23-24PD**



RECOMMENDED PANEL CUTOUT

THIS DRAWING IS A CONTROLLED DOCUMENT.		DWN J APOSTOL 07NOV2000	TE Connectivity	
DIMENSIONS: INCHES [mm]		CHK M PARRELLA 28DEC2000		
TOLERANCES UNLESS OTHERWISE SPECIFIED:		APVD R REED 28DEC2000	NAME RECEPTACLE 24 #20 SIZE CONTACTS KEY ARRANGEMENTS A,B,C AND D DRC SERIES	
0 PLC ± 1 PLC ± 2 PLC ± 3 PLC ± 4 PLC ± ANGLES ±		PRODUCT SPEC -	RESTRICTED TO -	
MATERIAL 5		APPLICATION SPEC -	SIZE A3	CAGE CODE 4AFU8
FINISH 6		WEIGHT -	DRAWING NO DRC23-24PX	
CUSTOMER DRAWING			SCALE 1:1	SHEET 2 OF 2
			REV A	