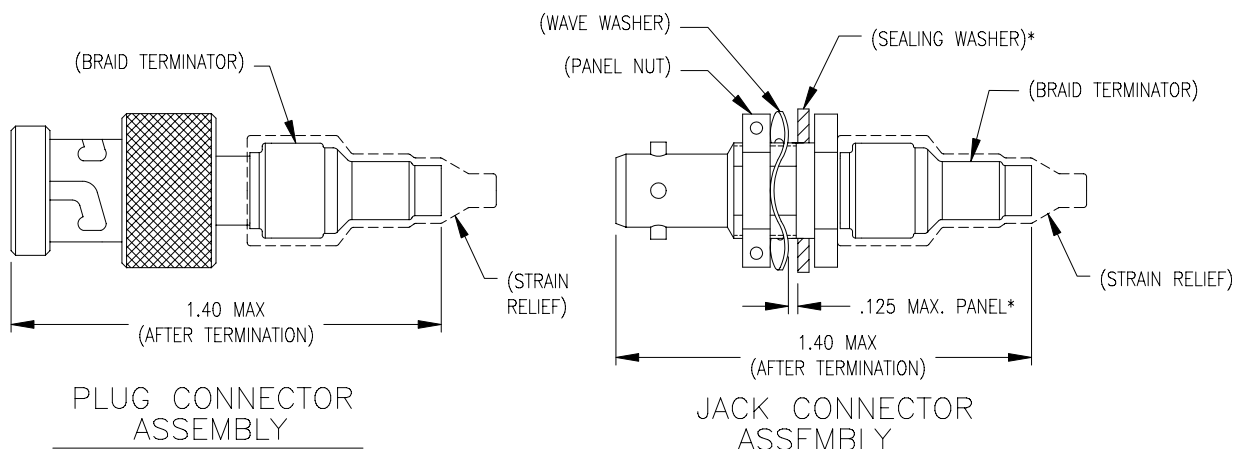




REVISIONS			
LTR	DESCRIPTION	DATE	APPROVED
N/C	INITIAL RELEASE PER DCR # T-31543	01/14/03	M. HIGGY

PART NO.	PCN NO.	CONNECTOR	CONTACT	INTERFACE	MARKING (STRAIN RELIEF)
DK-621-0439F-4P	A61775-000	PLUG	PIN	D	8912003-00-04
DK-621-0439F-4S	F64505-000		SOCKET	D	8912003-00-08
DK-621-0440F-4P	E24799-000	JACK	PIN	D	8912004-00-04
DK-621-0440F-4S	D42234-000		SOCKET	D	8912004-00-08



REQUIREMENTS:

1.0 REFER TO THE FOLLOWING TYCO ELECTRONICS/RAYCHEM SPECIFICATION CONTROL DRAWINGS (SCD) OR INDIVIDUAL COMPONENT DETAILS:

- D-621-0439F CONNECTOR, TRIAXIAL, BAYONET COUPLED
- D-621-0440F CONNECTOR, TRIAXIAL, BAYONET COUPLED
- (D-602-0126) CONTACT, PIN, TWISTED PAIR
- (D-602-0127) CONTACT, SOCKET, TWISTED PAIR
- (D-600-0030) BRAID TERMINATOR
- (D-600-0019) STRAIN RELIEF (SEE MARKING ON TABLE)
- (D-600-0053F) SEALING WASHER (JACK ONLY)

\* SEALING WASHER MAY BE INSTALLED IF THE PANEL THICKNESS IS LESS THAN 0.093 INCH.

2.0 CONNECTORS ARE QUALIFIED TO TYCO ELECTRONICS/RAYCHEM SPECIFICATION D-6025.

3.0 TERMINATION PROCEDURE: TYCO ELECTRONICS/RAYCHEM ES 61162.

SPECIFICATION CONTROL DRAWING

UNLESS OTHERWISE SPECIFIED DIMENSIONS ARE IN INCHES. METRIC DIMENSIONS ARE IN BRACKETS.	DRAWN	MFORONDA	01/14/03		<b>Raychem Products</b> 305 Constitution Drive Menlo Park, CA. 94025 USA		
	CHECKED						
	APPROVED	M.HIGGY	01/14/03	TITLE			
	APPROVED			KITS FOR D-621 TRIAXIAL CONNECTORS WITH FLUOROSILICONE GASKET			
DECIMALS .XXX ± _____ .XX ± _____ ANGLES _____	CAD NAME: T31543.dwg			SIZE	CODE IDENT. NO.	DWG. NO.	REV
WEIGHT ---	THIRD ANGLE PROJECTION			A	06090	<b>DK-621-0439F-4X/0440F-4X</b>	N/C
				DO NOT SCALE THIS DRAWING		SHEET 1 OF 1	

