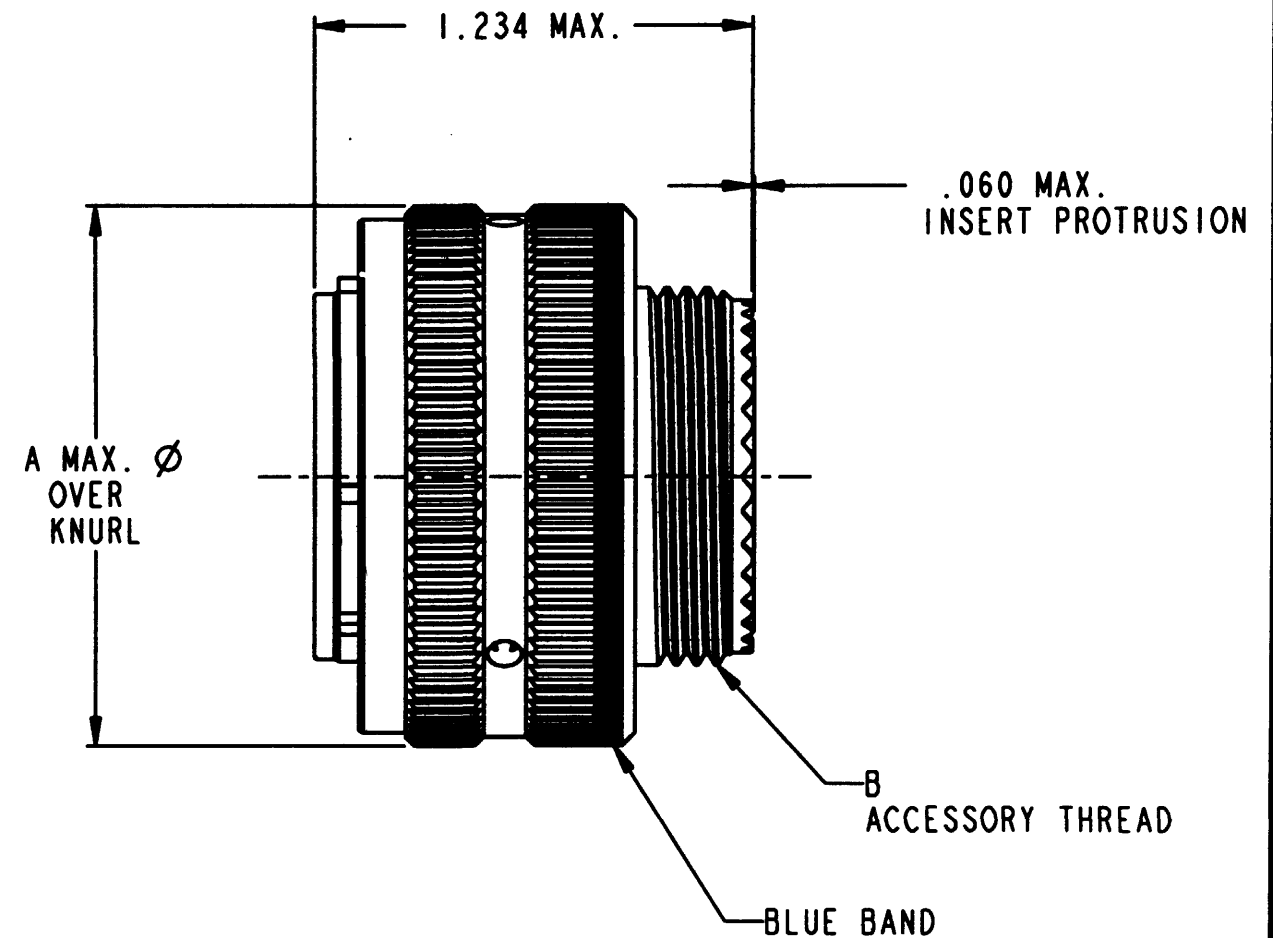
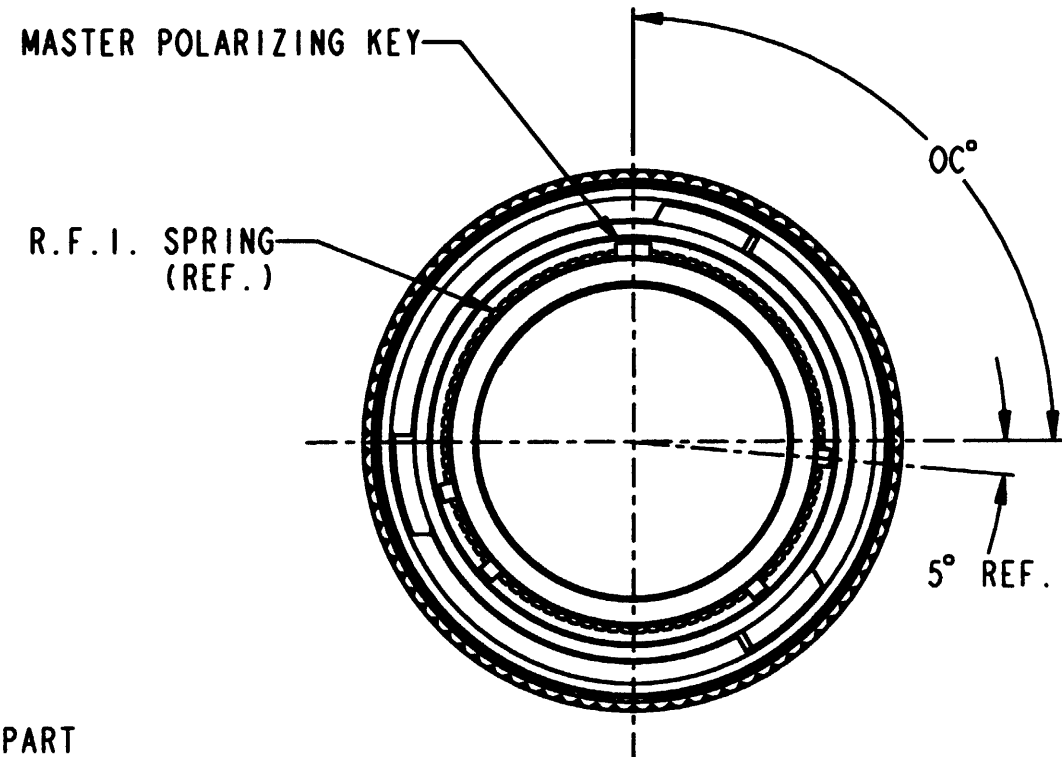


PROPERTY OF DEUTSCH E.C.D.

This drawing contains proprietary information that shall not be disclosed, duplicated, nor used in whole or in part for any purpose other than to evaluate this drawing.

REVISIONS			
REV	DESCRIPTION	DATE	APPROVED
A	REVISED PER E.O. C4741	11-22-00	MX



PART NUMBER EXAMPLE:

DJT 16 E 19 - 35 P/S \*

- KEY POSITION (EXAMPLE N = NORMAL)
- CONTACT STYLE (P = PIN, S = SOCKET)
- INSERT ARRANGEMENT  $\Delta$
- SHELL SIZE  $\Delta$
- CLASS (E = OLIVE DRAB CADMIUM, F = NICKEL)
- SHELL STYLE (PLUG)
- CONNECTOR SERIES (DEUTCH MIL-C-38999, SERIES I.)

PART NUMBER **	SHELL SIZE	A Ø MAX.	B THREAD UNEF-2A	ALTERNATE MASTER KEY POSITION OC°				
				N	A	B	C	D
DJT16*09-***P/S*	09	.859	.4375-28	95°	77°			113°
DJT16*11-***P/S*	11	.984	.5625-24	95°	81°	67°	123°	109°
DJT16*13-***P/S*	13	1.156	.6875-24	95°	75°	63°	127°	115°
DJT16*15-***P/S*	15	1.281	.8125-20	95°	74°	61°	129°	116
DJT16*17-***P/S*	17	1.406	.9375-20	95°	77°	65°	125°	113°
DJT16*19-***P/S*	19	1.516	1.0625-18	95°	77°	65°	125°	113°
DJT16*21-***P/S*	21	1.641	1.1875-18	95°	77°	65°	125°	113°
DJT16*23-***P/S*	23	1.766	1.3125-18	95°	80°	69°	121°	110°
DJT16*25-***P/S*	25	1.891	1.4375-18	95°	80°	69°	121°	110°

$\Delta$  FOR APPLICABLE KEYING DIAGRAM & AVAILABLE INSERT ARRANGEMENTS SEE MIL-C-38999 SERIES I & MIL-STD-1560.

3. GENERAL SPECIFICATIONS: THIS CONNECTOR MEETS THE PERFORMANCE AND INTERMATEABILITY REQUIREMENTS OF MIL-C-38999, SERIES I.

2. MATERIAL/FINISH:

SHELL AND COUPLING RING: ALUMINUM ALLOY, SEE ABOVE.

CONTACTS: COPPER ALLOY, GOLD PLATED.

RESILIENT INSERTS: SILICONE ELASTOMER

PLASTIC INSERT: RIGID DIELECTRIC PLASTIC.

1. ALL DIMENSIONS ARE IN INCHES UNLESS OTHERWISE SPECIFIED.

NOTE:

SIGNATURE & DATE	
DR	A. RASMUSSEN 101500
CHE	MX 11-22-00
PE	<i>[Signature]</i> 11/28/00
APP	<i>[Signature]</i> 11/28/00
SCALE	NONE WT

PLUG  
BAYONET COUPLING CONNECTOR  
CRIMP TYPE CONTACTS  
MIL-C-38999 SERIES I

ENVELOPE

CP	MATL CODE
<b>DEUTSCH</b> ENGINEERED CONNECTING DEVICES 5733 W. Whittier Ave. Hemet, California	
<b>A</b>	DJT16***-**P/S*
SIZE	CODE 11130 SHEET 1 OF 1