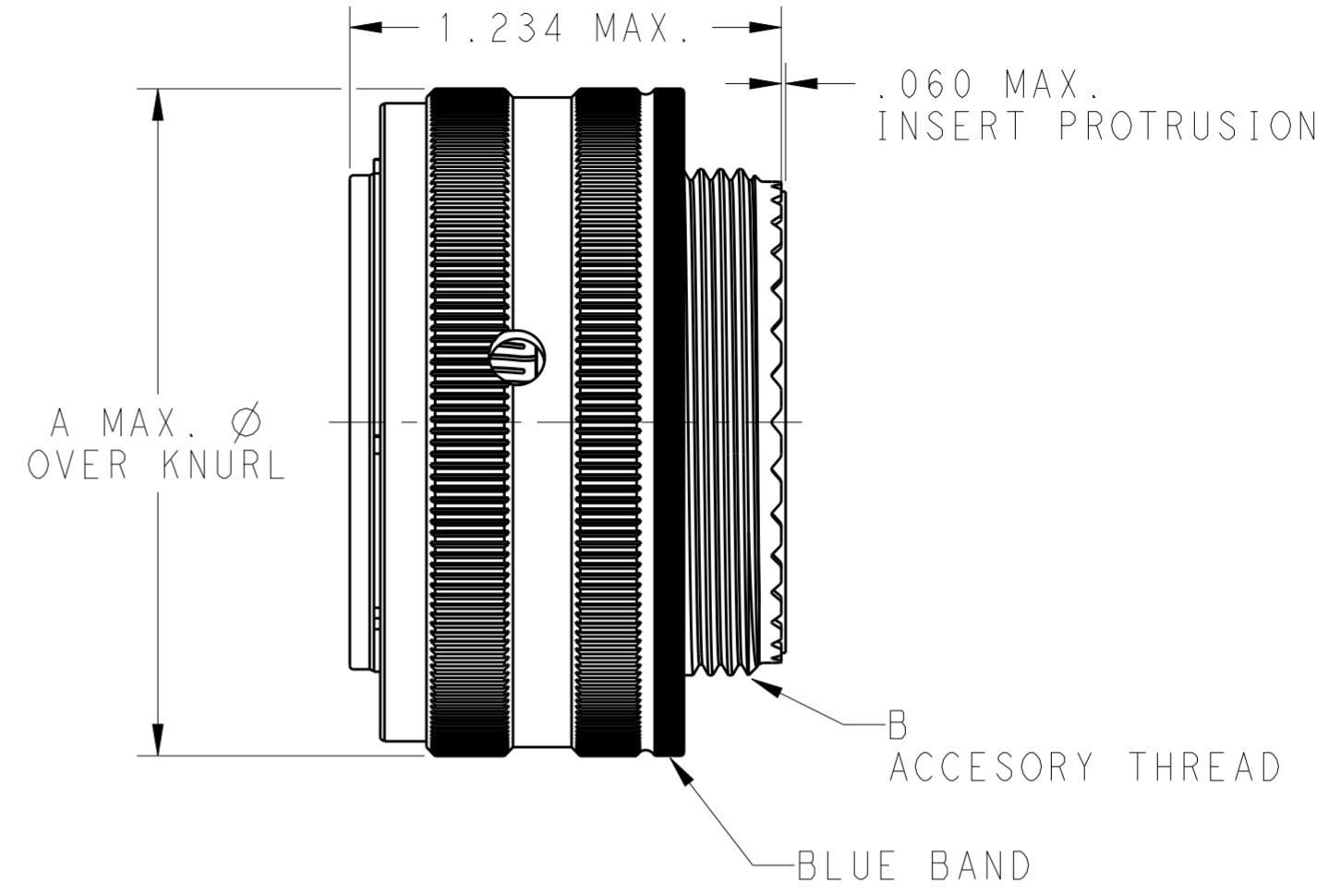
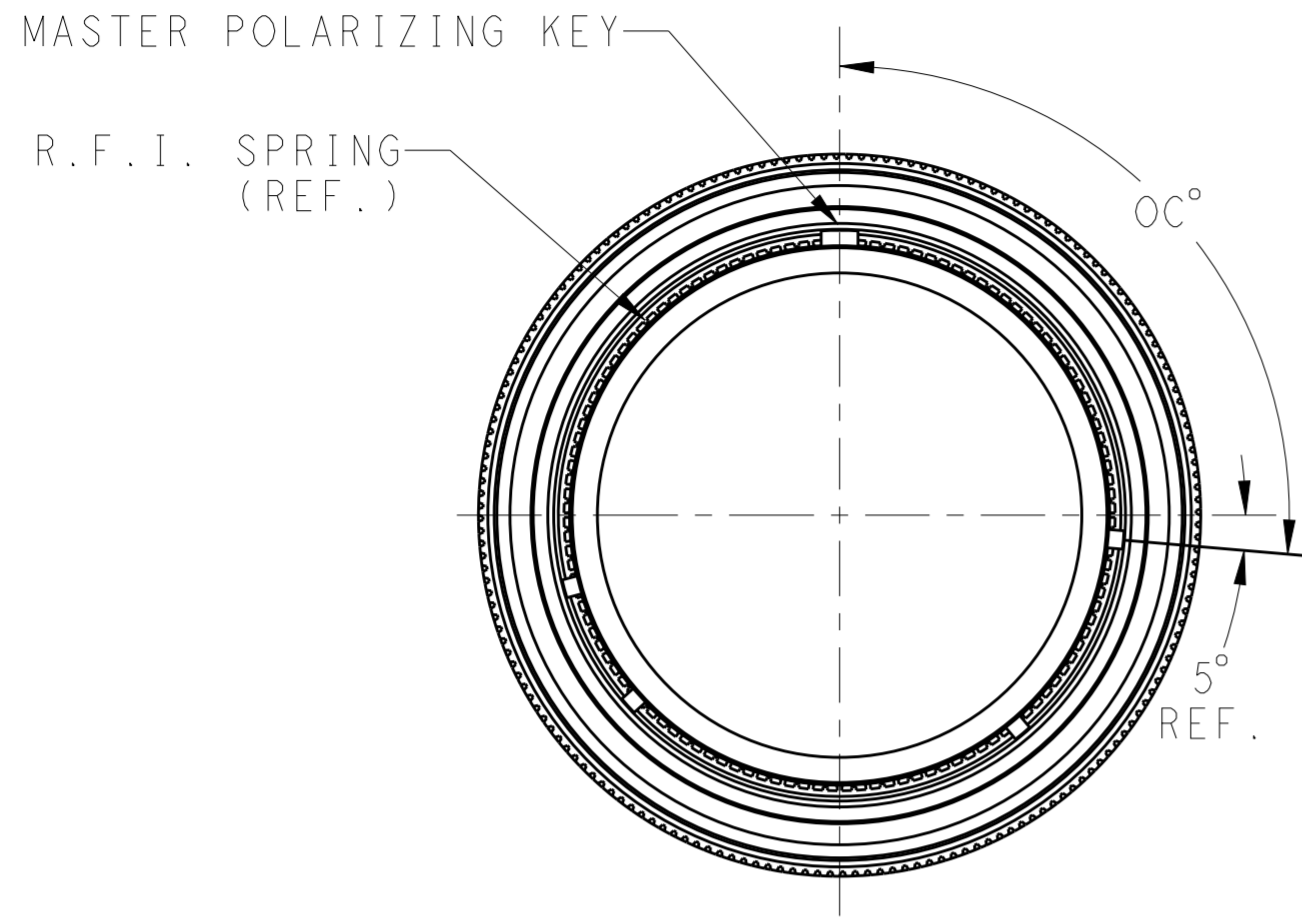


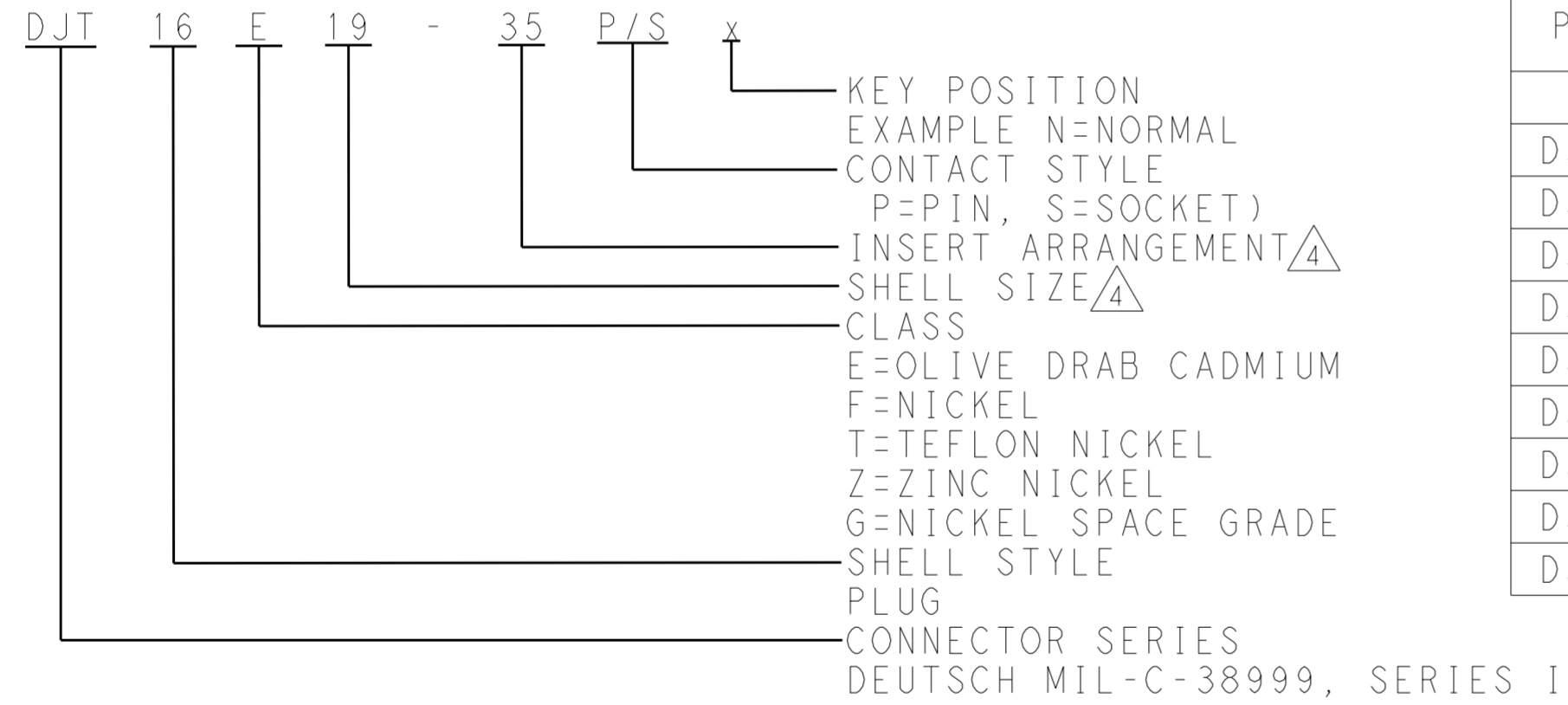
THIS DRAWING IS UNPUBLISHED. RELEASED FOR PUBLICATION 20  
 © COPYRIGHT 20 BY - ALL RIGHTS RESERVED.

PROPERTY OF TE CONNECTIVITY  
 THIS INFORMATION IS CONFIDENTIAL AND PROPRIETARY TO TYCO ELECTRONICS CORPORATION  
 AND ITS WORLDWIDE SUBSIDIARIES AND AFFILIATES (TE). IT MAY NOT BE DISCLOSED TO  
 ANYONE, OTHER THAN TE PERSONNEL, WITHOUT AUTHORIZATION FROM TE (www.TE.com).

LOC		DIST		REVISIONS			
P	LTR	DESCRIPTION	DATE	DWN	APVD		
1		PRELIMINARY RELEASE	160125	SS	EA		



EXAMPLE OF PART NUMBER:



PART NUMBER xx	SHELL SIZE	A Ø MAX.	B THREAD UNEF-2A	ALTERNATE MASTERKEY POSITION OC°				
				N	A	B	C	D
DJT16x09-xxP/Sx	09	.859	.4375-28	95°	77°			113°
DJT16x11-xxP/Sx	11	.984	.5625-24	95°	81°	67°	123°	109°
DJT16x13-xxP/Sx	13	1.156	.6875-24	95°	75°	63°	127°	115°
DJT16x15-xxP/Sx	15	1.281	.8125-20	95°	74°	61°	129°	116°
DJT16x17-xxP/Sx	17	1.406	.9375-20	95°	77°	65°	125°	113°
DJT16x19-xxP/Sx	19	1.516	1.0625-18	95°	77°	65°	125°	113°
DJT16x21-xxP/Sx	21	1.641	1.1875-18	95°	77°	65°	125°	113°
DJT16x23-xxP/Sx	23	1.766	1.3125-18	95°	80°	69°	121°	110°
DJT16x25-xxP/Sx	25	1.891	1.4375-18	95°	80°	69°	121°	110°

<sup>4</sup> FOR APPLICABLE KEYING DIAGRAM AND AVAILABLE INSERT ARRANGEMENTS SEE MIL-C-38999 SERIES I AND MIL-STD-1560.

3. GENERAL SPECIFICATIONS: THIS CONNECTOR MEETS THE PERFORMANCE AND INTERMATEABILITY REQUIREMENTS OF MIL-C-38999, SERIES I.

2. MATERIAL/FINISH:  
 SHELL AND COUPLING RING: ALUMINUM ALLOY, SEE ABOVE.  
 CONTACTS: COOPER ALLOY, GOLD PLATED.  
 RESILIENT INSERTS: SILICONE ELASTOMER  
 PLASTIC INSERT: RIGID DIELECTRIC PLASTIC.

1. ALL DIMENSIONS ARE IN INCHES UNLESS OTHERWISE SPECIFIED.

NOTES: UNLESS OTHERWISE SPECIFIED.

THIS DRAWING IS A CONTROLLED DOCUMENT.		DWN SAMUEL S.	160126	<b>STE</b> TE Connectivity	
DIMENSIONS: INCHES		CHK			
TOLERANCES UNLESS OTHERWISE SPECIFIED:		APVD		NAME PLUG BAYONET COUPLING CONNECTOR CRIMP TYPE CONTACTS MIL-C-38999 SERIES I - ENVELOPE	
0 PLC ±.1		PRODUCT SPEC		SIZE A2	
1 PLC ±.01		APPLICATION SPEC		CAGE CODE -	
2 PLC ±.005		WEIGHT		DRAWING NO. G-DJT16xxx-xxP/Sx	
3 PLC ±.0005		CUSTOMER DRAWING		RESTRICTED TO -	
4 PLC ANGLES ±.5°		SCALE NONE		SHEET 1 OF 1	
FINISH		REV 1			