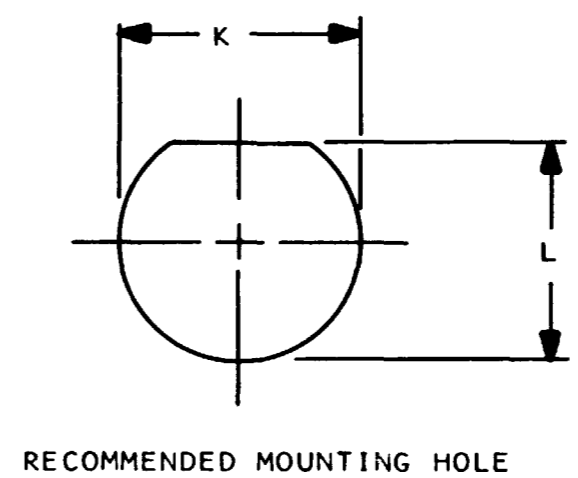
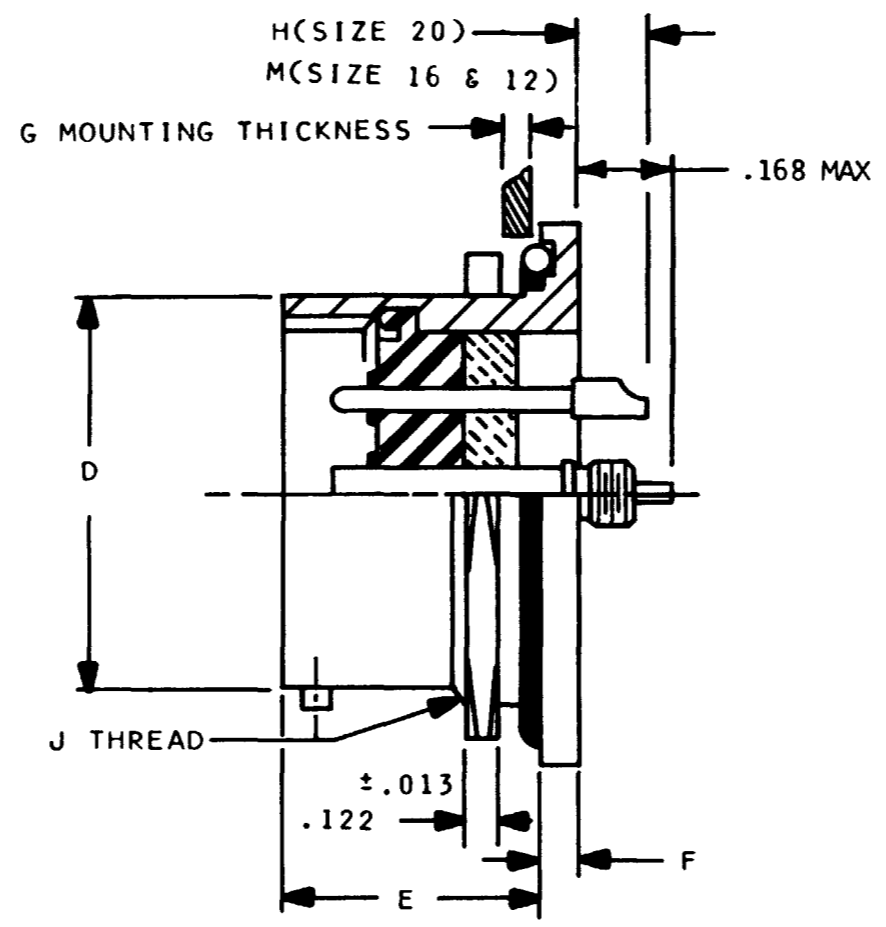
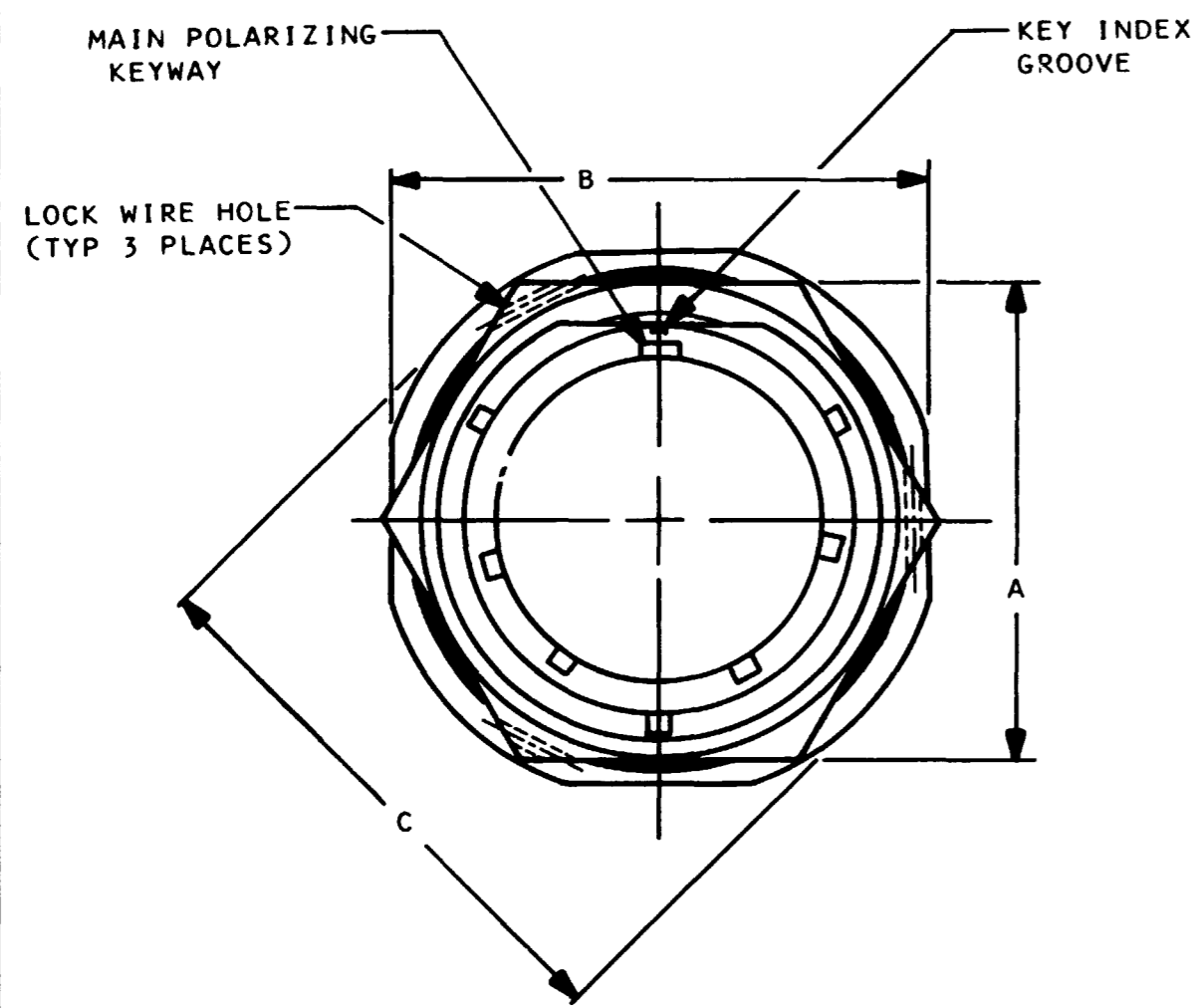


F	DBA54H-**-**P**	REVISIONS		
SYM	DESCRIPTION	DATE	APPROVED	
F	CHANGE PER E.O. 75654	11-6-72	DLL <i>[Signature]</i>	



4. MATERIAL:
SHELL-STAINLESS STEEL
CONTACTS, PIN-
HIGH NICKEL-IRON
INSERTS- COMPRESSION GLASS
ELASTOMER

"O" RING- SILICONE

3. FINISH:
SHELL-ELECTRO POLISH
CONTACTS-GOLD PLATED

SHELL SIZE	PART NUMBER	A±.015	B±.015	C±.015	D DIA-.005	E±.008	F±.008	G		H±.030	J THREAD	K-.010	L-.000	M±.030	APPROX WT IN LBS.
								MIN.	MAX.						
8	DBA54H-8-**-**P**	.750	.938	1.062	.473	.699	.105	.062	.187	.104	9/16-24 UNEF	.572	.537	.174	
10	DBA54H-10-**-**P**	.875	1.062	1.187	.590	.699	.105	.062	.187	.104	11/16-24 UNEF	.697	.661	.174	.0579
12	DBA54H-12-**-**P**	1.062	1.250	1.375	.750	.699	.105	.062	.187	.104	7/8-20 UNEF	.895	.824	.174	.0869
14	DBA54H-14-**-**P**	1.188	1.375	1.500	.875	.699	.105	.062	.187	.104	1-20 UNEF	1.010	.948	.174	.1045
16	DBA54H-16-**-**P**	1.312	1.500	1.625	1.000	.699	.105	.062	.187	.104	1 1/8-18 UNEF	1.135	1.072	.174	.1285
18	DBA54H-18-**-**P**	1.438	1.625	1.750	1.125	.699	.105	.062	.187	.104	1 1/4-18 UNEF	1.260	1.197	.174	.1518
20	DBA54H-20-**-**P**	1.562	1.812	1.937	1.250	.763	.138	.062	.250	.069	1 3/8-18 UNEF	1.385	1.322	.139	.2071
22	DBA54H-22-**-**P**	1.688	1.938	2.062	1.375	.763	.138	.062	.250	.069	1 1/2-18 UNEF	1.510	1.447	.139	.2367
24	DBA54H-24-**-**P**	1.812	2.062	2.187	1.500	.794	.138	.062	.250	.069	1 5/8-18 UNEF	1.635	1.572	.139	.2481

2. CONTACT IDENTIFICATION IS IN CONTRASTING COLOR TO INSERTS.

NOTE: 1. FOR AVAILABLE CONTACT ARRANGEMENTS AND ALTERNATE INSERT POSITIONS, SEE PAGE 38500-P IN DBA SECTION OF CATALOG.

SIGNATURE & DATE	
DR	LEFTWICH 7-8-69
CHK	<i>[Signature]</i>
PE	<i>[Signature]</i>
APPD	
SCALE	NONE
WT	

RECEPTACLE, CONNECTOR,
HERMETIC, BAYONET COUPLING,
JAM-NUT MOUNTING

ENVELOPE

CP	MATL CODE
The Deutsch Company ELECTRONIC COMPONENTS DIVISION <i>Municipal Airport</i> <i>Banning, California</i>	
B	DBA54H-**-**P**
DWG SIZE	CODE SHEET 1 OF 1