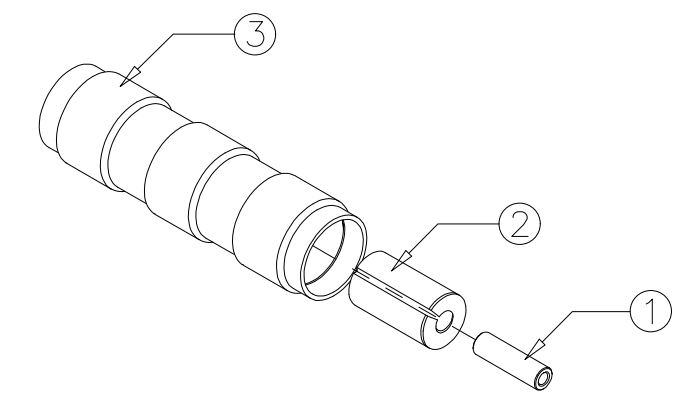
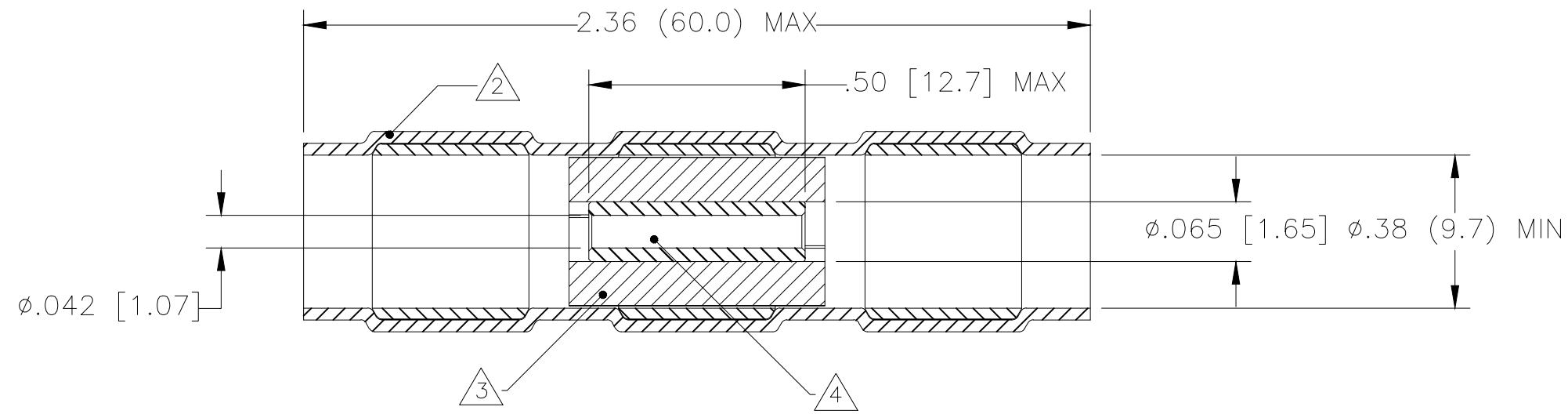


REVISIONS					
P	LTR	DESCRIPTION	DATE	DWN	APVD
	B	REVISED PER ECO-20-006205	04MAY2020	MG	UV



MATCHED IMPEDANCE SPLICE FOR
RG400 & RG142 COAXIAL CABLE REPAIR

NOTES:

- THIS PRODUCT IS DESIGNED FOR USE IN MAKING ENVIRONMENTALLY PROTECTED PERMANENT JOINTS ON RG400 AND RG142 COAXIAL CABLES. COMPONENTS Δ 2, Δ 3, Δ 4, WILL BE SUPPLIED AS LOOSE PIECES IN THE KIT.
- SOLDERSLEEVE MATERIALS:**
INSULATION SLEEVE: HEAT-SHRINKABLE, TRANSPARENT BLUE, RADIATION CROSS-LINK MODIFIED POLYVINYLIDENE FLUORIDE.
SOLDER PREFORM WITH FLUX.
SOLDER: TYPE Sn63 PER ANSI-J-STD-006.
FLUX: TYPE ROM1 PER ANSI-J-STD-004.
MELTABLE RINGS: THERMALLY STABILIZED THERMOPLASTIC - COLOR: BLUE.
- DIELECTRIC INSERT MATERIAL:** PTFE PER ASTM 3295 - COLOR: NATURAL.
- CRIMP FERRULE MATERIAL:** ANNEALED BRASS, UNS C360000 PER TEC 100-110.
FINISHES: GOLD PLATED PER MIL-G-45204, TYPE II, GRACE C, CLASS 1 (.00005 MIN).
- INSTALLATION REQUIREMENTS TOOL: CV1981 HEAT GUN WITH PR13C REFLECTOR.
- FOR INSTALLATION PROCEDURE AND APPLICATION EQUIPMENT, REFER TO RPIP-1108.
- FOR PERFORMANCE AND TEST SPECIFICATIONS, REFER TO SPECIFICATION D-6204.
- FOR ADDITIONAL ORDERING INFORMATION, CONTACT TE TECHNICAL SUPPORT.

©2015 TE CONNECTIVITY LTD. FAMILY OF COMPANIES. ALL RIGHTS RESERVED
TE CONNECTIVITY AND TE CONNECTIVITY (LOGO) ARE TRADEMARKS.
OTHER LOGOS PRODUCT AND/OR COMPANY NAMES MAY BE TRADEMARKS OF THEIR RESPECTIVE OWNERS.

Raychem Devices
CUSTOMER DRAWING

UNLESS OTHERWISE SPECIFIED DIMENSIONS ARE IN INCHES.
REFERENCE METRIC DIMENSIONS ARE IN BRACKETS [metric].

THIS DRAWING IS A CONTROLLED DOCUMENT.		DWN T. NGUYEN 25JUN2015	TE Connectivity				
DIMENSIONS: INCHES		CHK N. PRZYBYLSKA 29JUN2015					
		APVD N. PRZYBYLSKA 30JUN2015					
TOLERANCES UNLESS OTHERWISE SPECIFIED:		NAME					
0 PLC ± - 1 PLC ± 0.1 2 PLC ± 0.01 3 PLC ± 0.005 4 PLC ± - ANGLES ± 1°		PRODUCT SPEC	MATCHED IMPEDANCE SPLICE KIT FOR RG400 AND RG142 COAX CABLE				
MATERIAL SEE NOTES		FINISH	APPLICATION SPEC	SIZE	CAGE CODE	DRAWING NO	RESTRICTED TO
SEE NOTES		SEE NOTES	WEIGHT	A3	06090	C=D-150-Z400/142	-
CUSTOMER DRAWING			SCALE	DNS	SHEET	1 OF 1	REV B