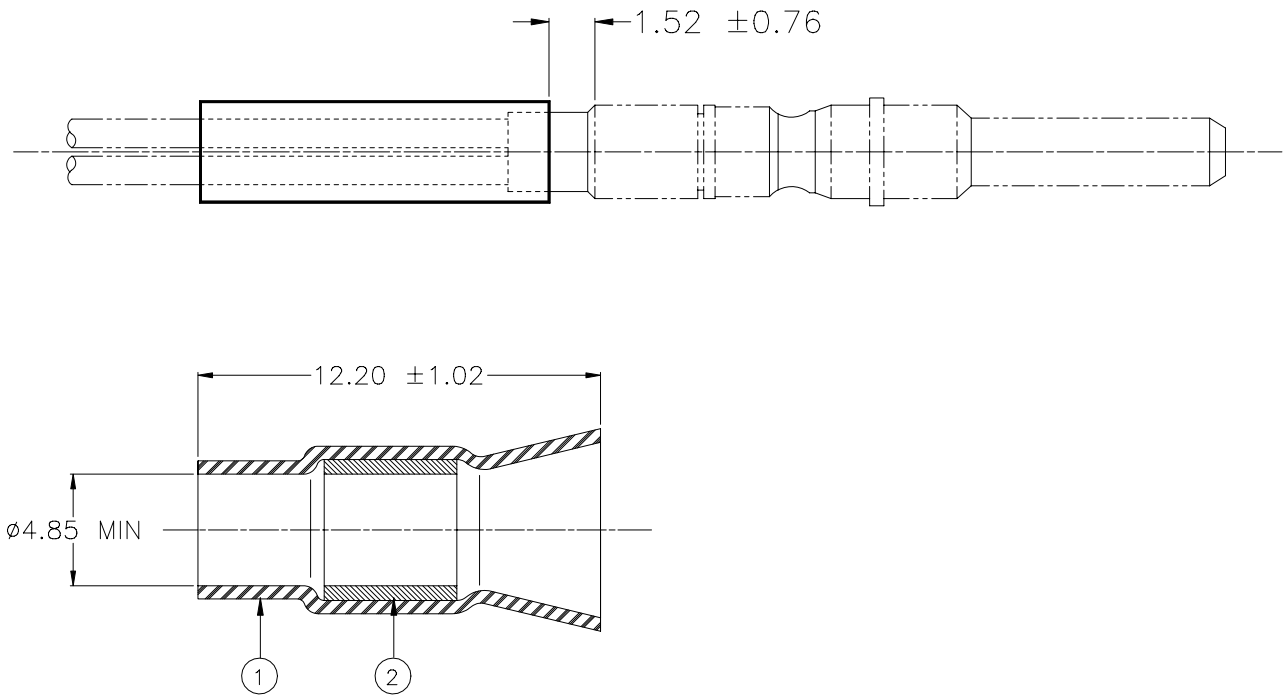


# SPECIFICATION CONTROL DRAWING



**MATERIALS**

1. INSULATION SLEEVE: Heat-shrinkable, transparent blue, radiation cross-linked modified polyvinylidene fluoride.
2. MELTABLE INSERT: Low outgassing immersion resistant thermoplastic, color: yellow.

**APPLICATION**

1. This part is designed to achieve an environmental seal in a MIL-C83723 Series III Connector or a MTCR-161-04S, MTCR-101-04P, MTCR-161-04P, MTCR-101-04S connectors for terminated D-602-0104 and D-602-0105, M39029/73-12C and M39029/74-12C twisted pair contacts.
2. To install part, slide over terminated contact and position as shown. Heat until insert melts and flows and the insulation sleeve has recovered completely.
3. Acceptance sampling shall be in accordance with Inspection Level I of MIL-STD-105.

\* A trademark of Raychem Corporation.

<b>Raychem</b>		THERMOFIT DEVICES	Raychem Corporation 300 Constitution Drive Menlo Park, CA 94025 USA	TITLE: <b>SEALING SLEEVE TWISTED PAIR CONTACT</b>			
UNLESS OTHERWISE SPECIFIED, DIMENSIONS ARE IN MILLIMETERS.				DOCUMENT NO.: <b>CTA-0006</b>			
TOLERANCES: 0.00 N/A 0.0 N/A 0 N/A	ANGLES: N/A	Raychem reserves the right to amend this drawing at any time. Users should evaluate the suitability of the product for their application.		DCR NUMBER: D982066		REPLACES: n/a	
	ROUGHNESS IN MICRON						
DRAWN BY: M. FORONDA	DATE: 4-Jan-99	PROD. REV. B	DOC ISSUE: 1	SCALE: None	SIZE: A	SHEET: 1 of 1	

If this document is printed it becomes uncontrolled. Check for the latest revision.