

REVISIONS

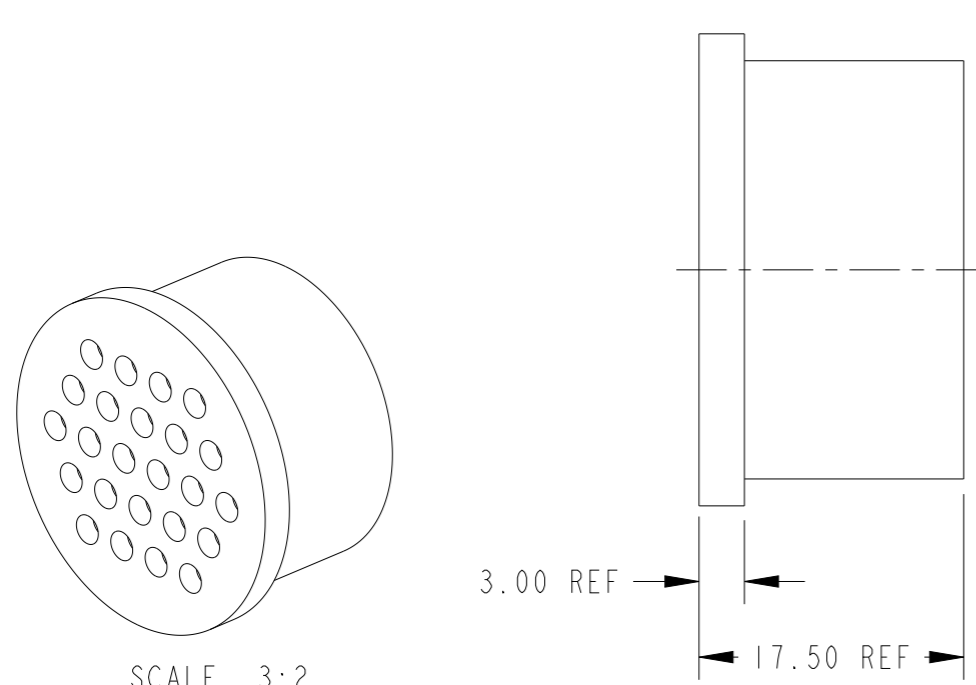
P	LTR	DESCRIPTION	DATE	DWN	APVD
	A	NEW DRAWING	24MAR2022	GK	RS

NOTE:

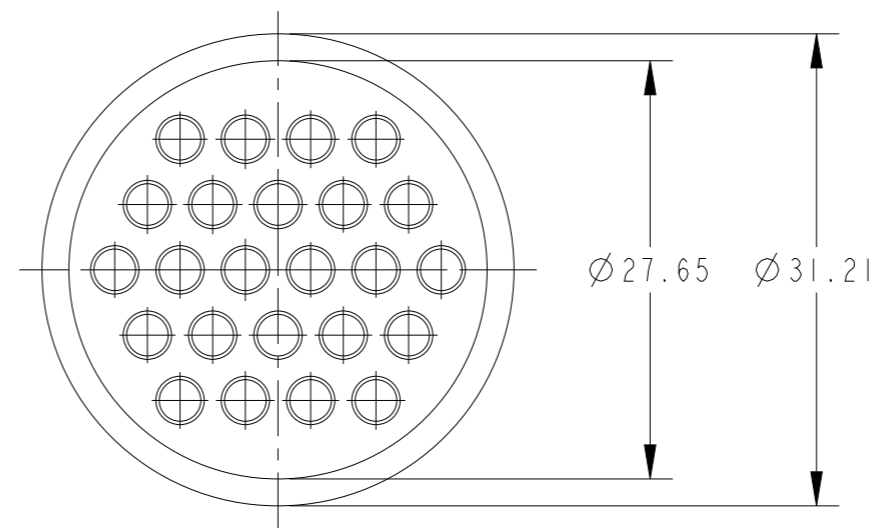
* PLEASE CONTACT SALES OFFICE FOR FURTHER DETAIL.

** FOR DETAILS OF GROMMET REDUCING BUSHES TO SUIT 35mm² 25mm² AND 16mm² WIRE, PLEASE CONTACT THE SALES OFFICE.

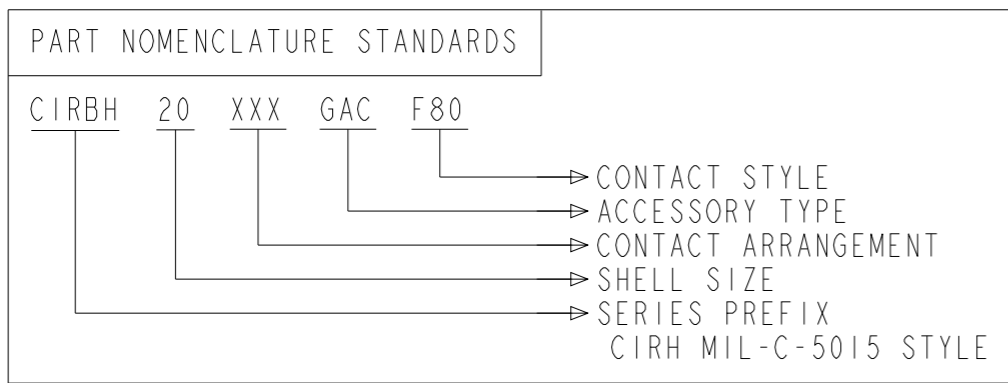
ALIAS PART NUMBER	SHELL SIZE
CIRBH10SLXXXGACF80	10SL
CIRBH14SXXXGACF80	14S
CIRBH16SXXXGACF80	16S
CIRBH16XXXGACF80	16
CIRBH18XXXGACF80	18
CIRBH20XXXGACF80	20
CIRBH22XXXGACF80	22
CIRBH24XXXGACF80	24
CIRBH28XXXGACF80	28
CIRBH32XXXGACF80	32
CIRBH36XXXGACF80	36
CIRBH40XXXGACF80	40



SCALE 3:2



F80 CONTACT SIZES AWG (METRIC)	*WIRE INSULATION MIN O/D	*WIRE INSULATION MAX O/D
16S/16 (15S/15)	1.52(0.060)	3.20(0.126)
12 (25)	2.44(0.096)	5.12(0.202)
8 (100)	4.90(0.193)	7.20(0.283)
4 (160)	8.18(0.322)	11.00(0.433)
**0 (500)	14.00(0.551)	16.00(0.630)



THIS DRAWING IS A CONTROLLED DOCUMENT.

DWN 24MAR2022
GOPALAKRISHNA HV

CHK 24MAR2022
T. GOUDA

APVD 24MAR2022
S. RAJESH

NAME: WIRE SEAL GROMMET

PRODUCT SPEC: -

APPLICATION SPEC: -

WEIGHT: -

CUSTOMER DRAWING

SCALE: 2:1

SHEET 1 OF 1

REV A

SIZE: A3

CAGE CODE: 00779

DRAWING NO: C=CIRBHXXXGACF80

RESTRICTED TO: -

MATERIAL: RUBBER

FINISH: -

TOLERANCES UNLESS OTHERWISE SPECIFIED:

0 PLC	±-
1 PLC	±-
2 PLC	±-
3 PLC	±-
4 PLC	±-
ANGLES	±-

DIMENSIONS: mm