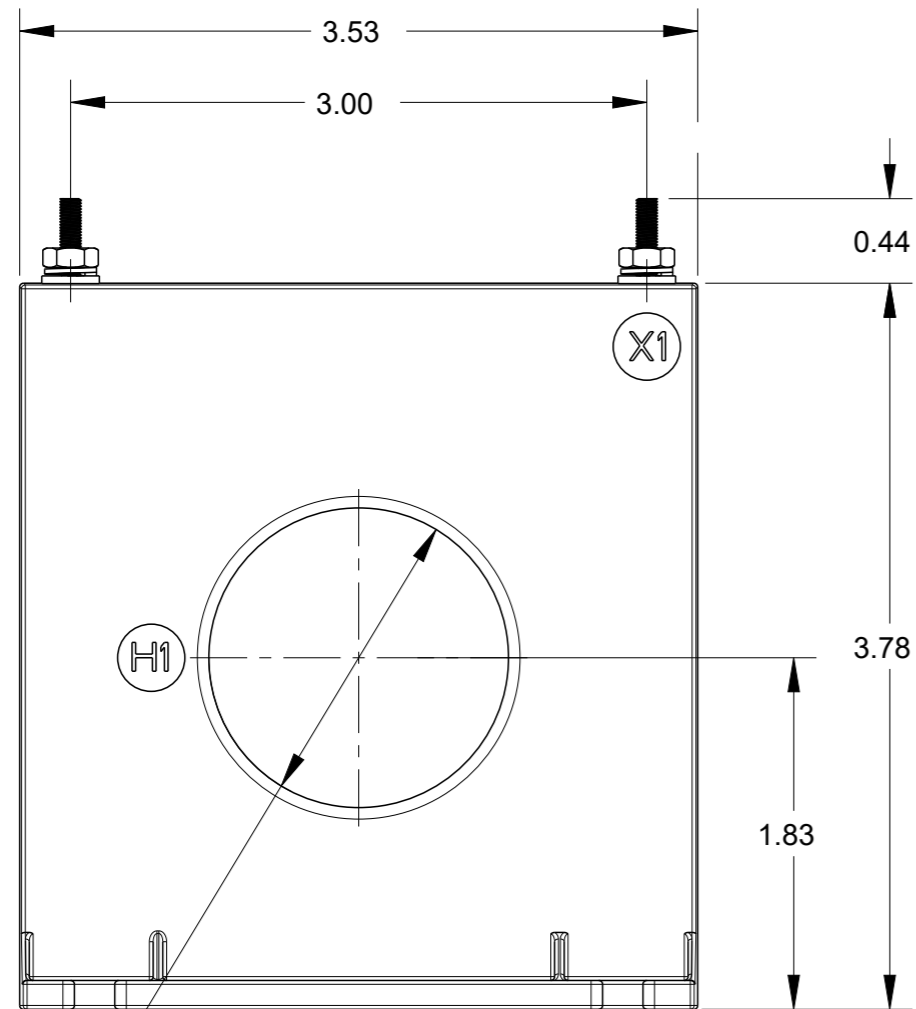
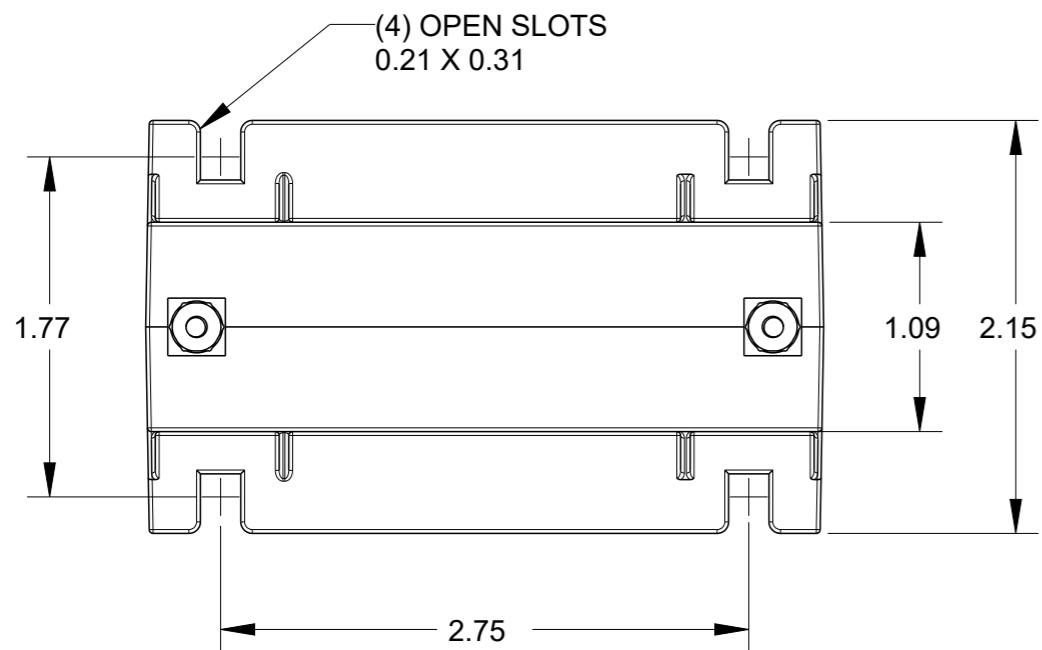
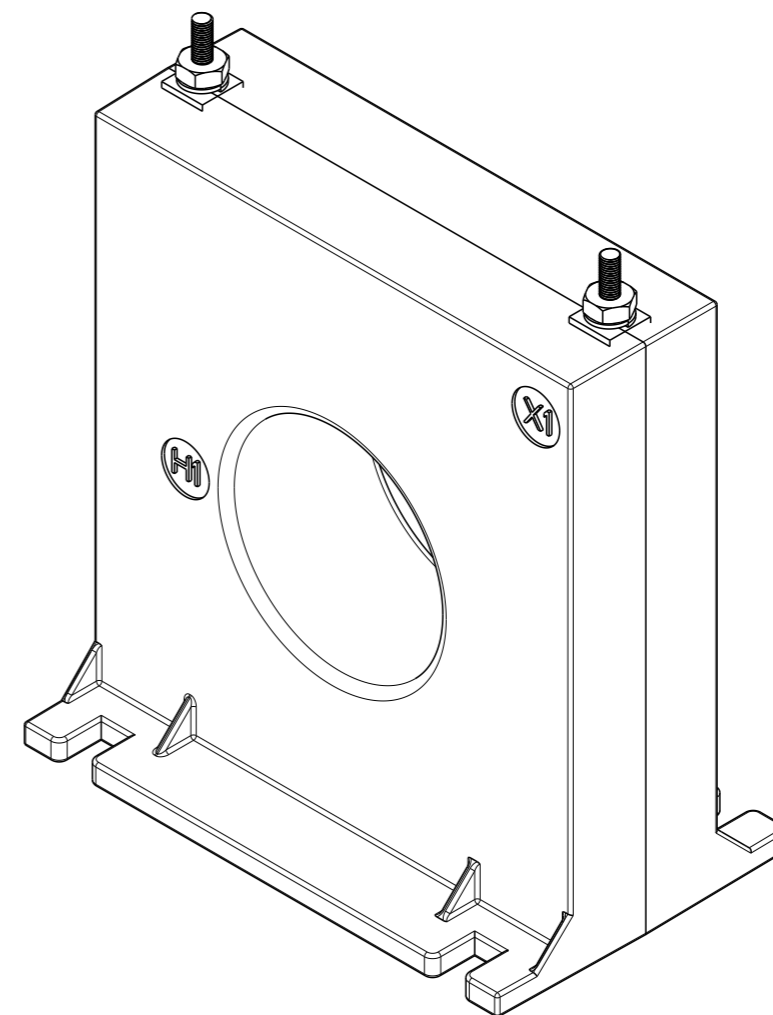


P	LTR	DESCRIPTION	DATE	DWN	APVD
1		NEW LAYOUT	09JUN2020	SB	NJ



Ø 1.56



THIS DRAWING IS A CONTROLLED DOCUMENT.

DIMENSIONS:	TOLERANCES UNLESS OTHERWISE SPECIFIED:
in	
	0 PLC ±-
	1 PLC ±-
	2 PLC ±-
	3 PLC ±-
	4 PLC ±-
	ANGLES ±
MATERIAL	FINISH
TBD	-

DWN	08JUN2020
SHRICHARANA B	
CHK	08JUN2020
NIGEL JOHNSON	
APVD	08JUN2020
NIGEL JOHNSON	
PRODUCT SPEC	-
APPLICATION SPEC	-
WEIGHT	-
CUSTOMER DRAWING	

		NAME	
		ANSI CT - MODEL 5SFT DIMENSIONAL DRAWING	
SIZE	CAGE CODE	DRAWING NO	RESTRICTED TO
A3	00779	C=CI-3L51701	-
SCALE		SHEET	REV
1:1		1 OF 1	1