

4

3

2

1

THIS DRAWING IS UNPUBLISHED.

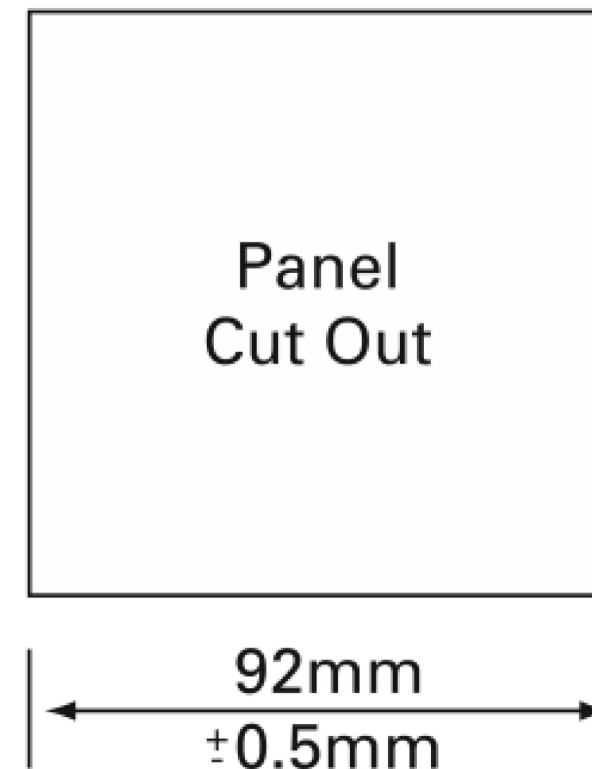
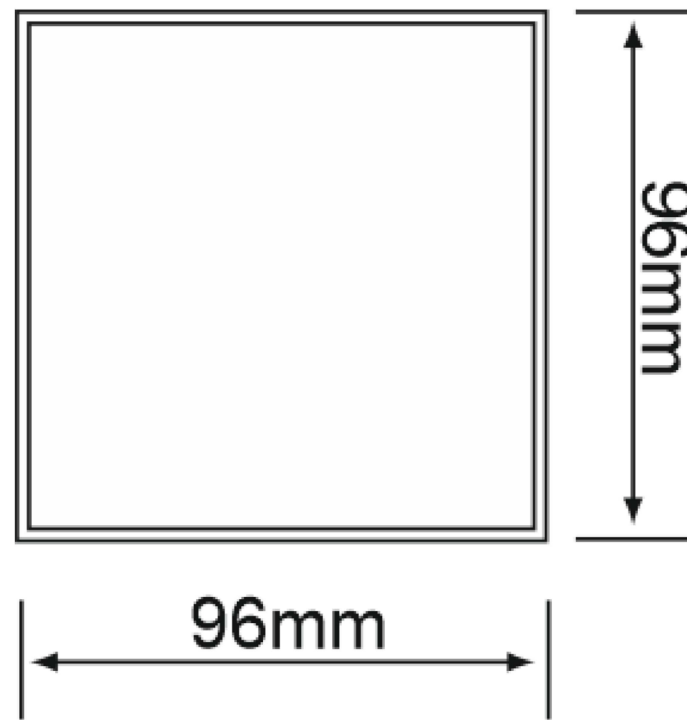
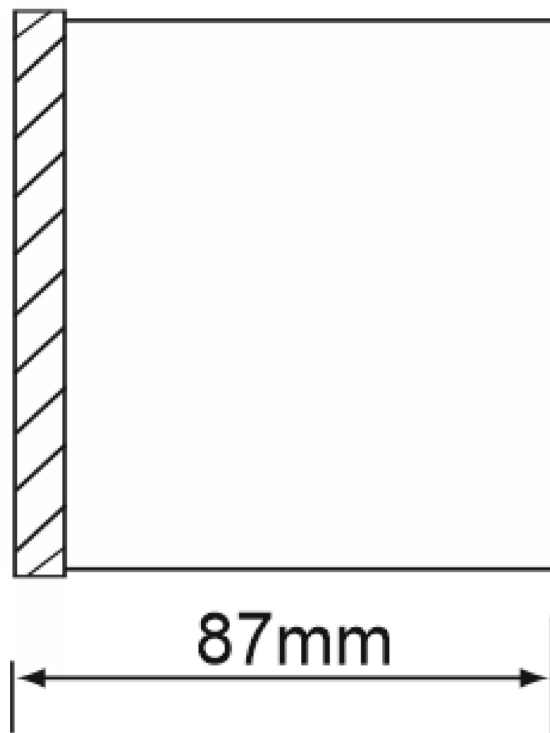
RELEASED FOR PUBLICATION


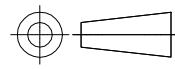
REVISIONS

© COPYRIGHT - TE Connectivity Ltd.

ALL RIGHTS RESERVED.

P	LTR	DESCRIPTION	DATE	DWN	APVD
	1	NEW LAYOUT	18FEB2020	SG	NJ



THIS DRAWING IS A CONTROLLED DOCUMENT.		DWN SANDEEP G 18FEB2020	 TE Connectivity		
DIMENSIONS: mm		CHK NIGEL JOHNSON 18FEB2020			
		APVD NIGEL JOHNSON 18FEB2020	NAME 244-14AG-PQYY-FQ LED SYNCHROSCOPE		
TOLERANCES UNLESS OTHERWISE SPECIFIED:		PRODUCT SPEC	SIZE A3		
0 PLC ± -		APPLICATION SPEC	CAGE CODE 00779	DRAWING NO CI-3L46801	RESTRICTED TO
1 PLC ± -		—	—		
2 PLC ± -		WEIGHT	—		
3 PLC ± -		CUSTOMER DRAWING	SCALE NTS	SHEET 1 of 1	REV 1
4 PLC ± -		FINISH	—		
ANGLES ± -					
MATERIAL					