

4

3

2

1

THIS DRAWING IS UNPUBLISHED.

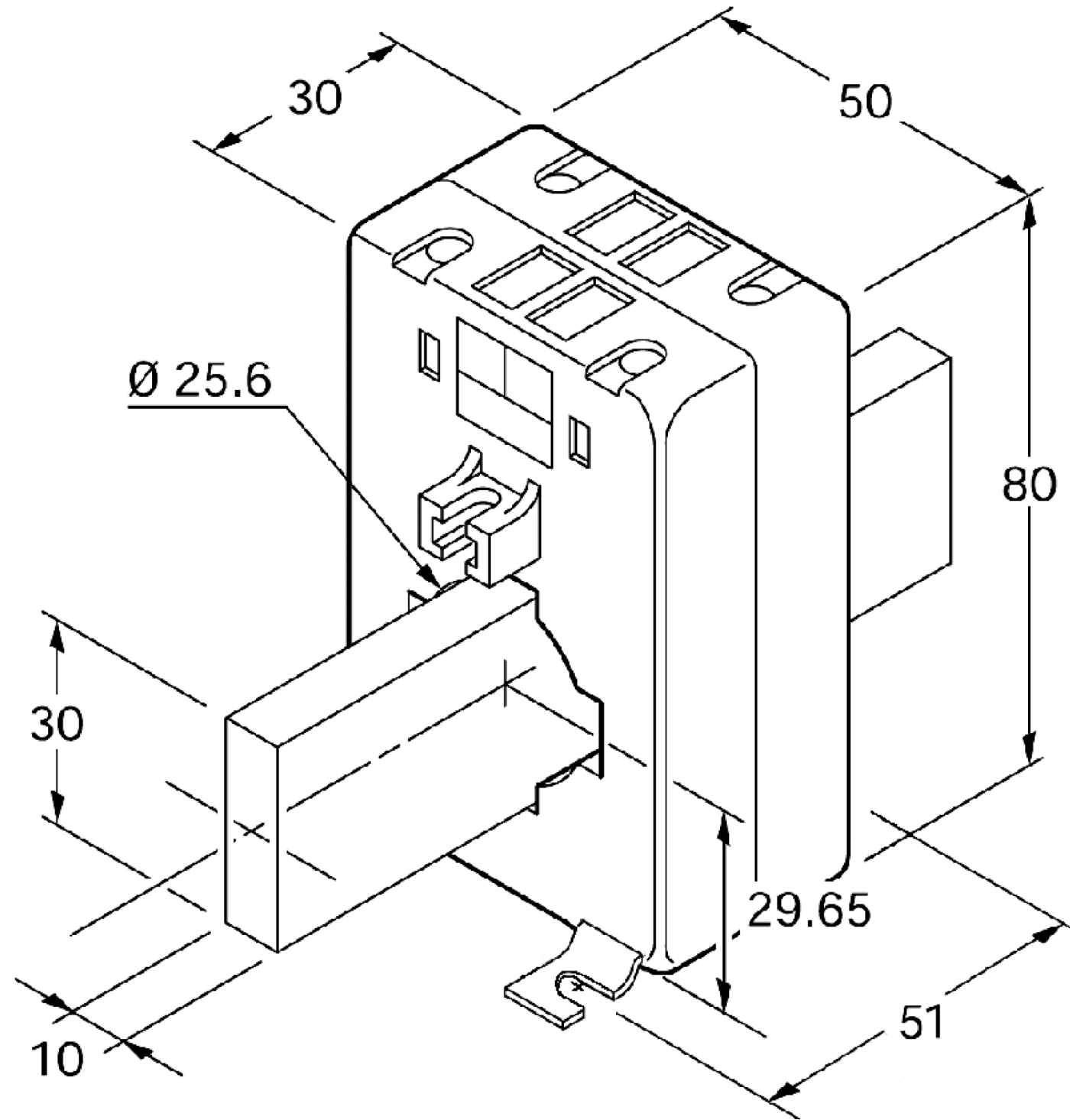
RELEASED FOR PUBLICATION

REVISIONS

© COPYRIGHT - TE Connectivity Ltd.

ALL RIGHTS RESERVED.

P	LTR	DESCRIPTION	DATE	DWN	APVD
1		NEW LAYOUT	17FEB2020	SG	NJ



THIS DRAWING IS A CONTROLLED DOCUMENT.		DWN	SANDEEP G		17FEB2020	TE TE Connectivity	
		CHK	NIGEL JOHNSON		17FEB2020		
		APVD	NIGEL JOHNSON		17FEB2020	NAME	
		PRODUCT SPEC			M5EJ EBONY CT		
		APPLICATION SPEC			-		
		WEIGHT			-		
		SIZE	CAGE CODE	DRAWING NO	RESTRICTED TO		
		A3	00779	CI-3L44601	-		
		CUSTOMER DRAWING		SCALE	SHEET	REV	
				NTS	1 of 1	1	