

4

3

2

1

THIS DRAWING IS UNPUBLISHED.

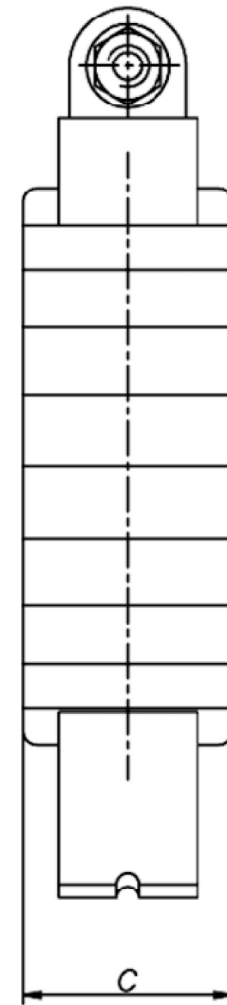
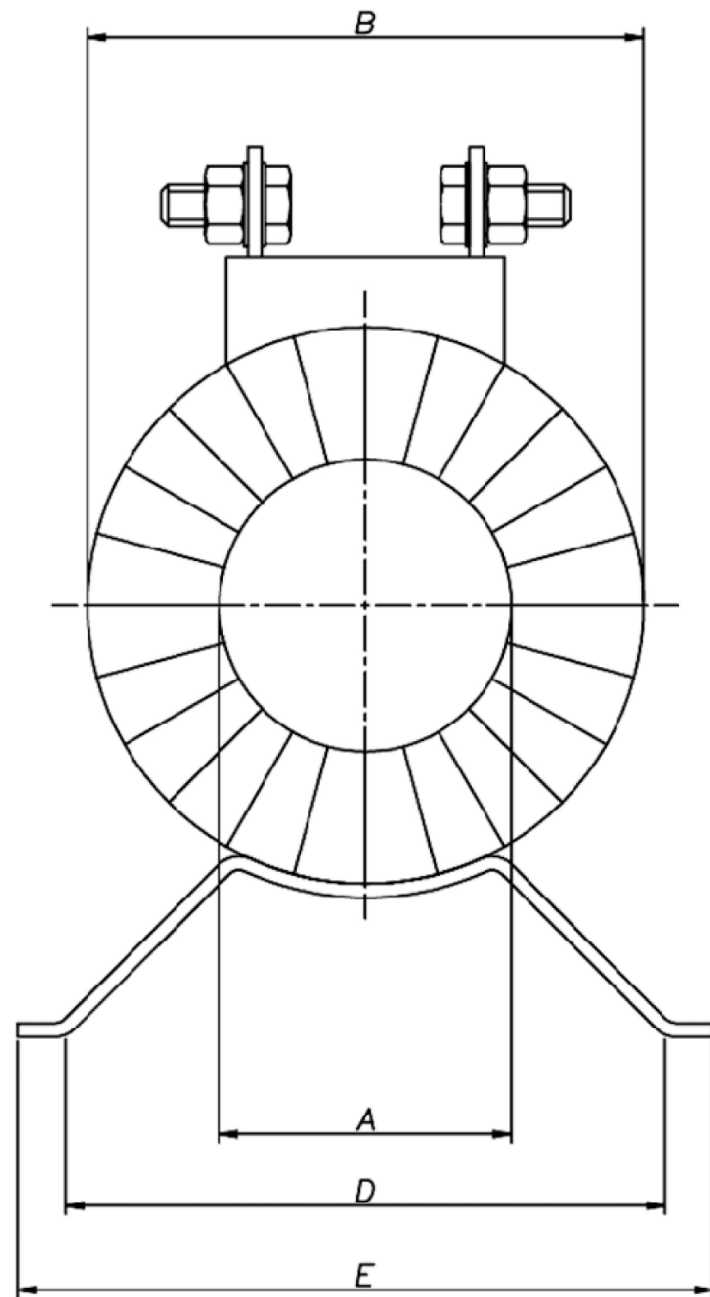
RELEASED FOR PUBLICATION

© COPYRIGHT - TE Connectivity Ltd.

ALL RIGHTS RESERVED.

REVISIONS

P	LTR	DESCRIPTION	DATE	DWN	APVD
1		NEW LAYOUT	17FEB2020	SG	NJ



A	B	C	D
28	70	40	77.5
28	70	40	77.5
28	70	40	77.5
22	60	50	70
22	60	40	70
22	60	40	70
42	80	30	86
42	80	30	86
42	80	30	86
42	80	30	86
42	80	30	86
40	72	26	70
40	72	45	70
40	72	40	70
40	72	40	70
45	80	30	86
45	80	30	86
45	83	32	100
45	83	32	100
60	100	30	86
60	100	30	86
60	100	30	86
58	100	30	100
58	100	32	100
58	100	32	100
85	124	30	86
85	124	30	86
85	124	30	86
85	124	30	86
85	124	30	86
84	122	30	100
94	135	30	100
94	135	30	100
94	135	30	100
94	135	30	100
125	160	30	86
125	160	30	86
125	160	30	86
125	160	30	86
132	175	30	150
132	175	30	150
125	180	32	150
140	215	45	150

THIS DRAWING IS A CONTROLLED DOCUMENT.

DWN SANDEEP G 17FEB2020

CHK NIGEL JOHNSON 17FEB2020

APVD NIGEL JOHNSON 17FEB2020

PRODUCT SPEC

APPLICATION SPEC

WEIGHT

CUSTOMER DRAWING



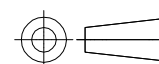
NAME MR Series Protection range

SIZE CAGE CODE DRAWING NO RESTRICTED TO

A3 00779 C=CI-3L43901

SCALE NTS SHEET 1 of 1 REV 1

DIMENSIONS: mm



TOLERANCES UNLESS OTHERWISE SPECIFIED:

- 0 PLC ± -
- 1 PLC ± -
- 2 PLC ± -
- 3 PLC ± -
- 4 PLC ± -
- ANGLES ± -

MATERIAL

FINISH