

4

3

2

1

THIS DRAWING IS UNPUBLISHED.

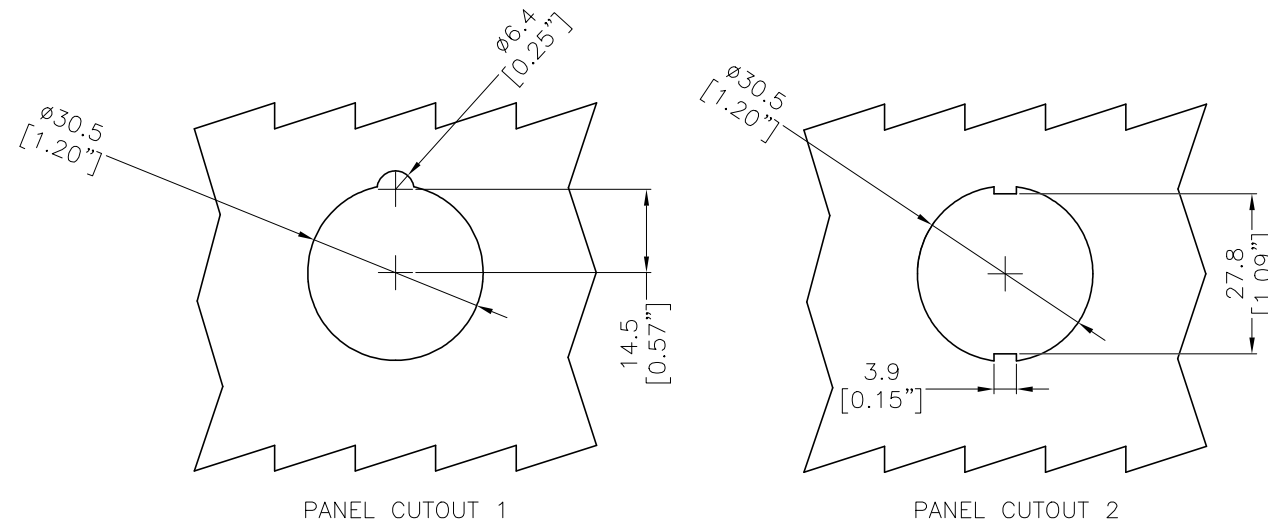
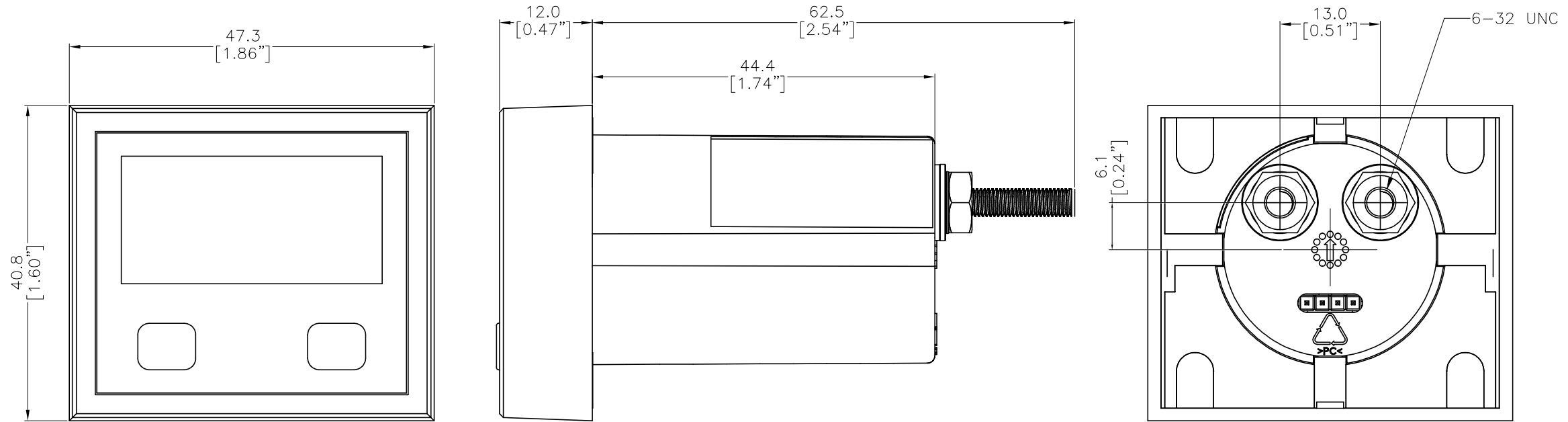
RELEASED FOR PUBLICATION

REVISIONS

© COPYRIGHT - TE Connectivity Ltd.

ALL RIGHTS RESERVED.

P	LTR	DESCRIPTION	DATE	DWN	APVD
1		NEW LAYOUT	10FEB2020	SG	NJ



NOTES

- WHEN USING PANEL CUTOUT No.1 FIT INSTRUMENT USING ADAPTOR RING.
- ADAPTOR RING. RETAIN CLIP AND TERMINAL CONNECTION NUTS/WASHERS ARE SUPPLIED AS FITTING KIT.

THIS DRAWING IS A CONTROLLED DOCUMENT.		DWN SANDEEP G 10FEB2020	TE Connectivity														
DIMENSIONS: mm [INCHES]		CHK NIGEL JOHNSON 10FEB2020															
TOLERANCES UNLESS OTHERWISE SPECIFIED:		APVD NIGEL JOHNSON 10FEB2020	NAME 549														
<table border="0"> <tr><td>0 PLC</td><td>± -</td></tr> <tr><td>1 PLC</td><td>± 0.5</td></tr> <tr><td>2 PLC</td><td>± 0.1</td></tr> <tr><td>3 PLC</td><td>± -</td></tr> <tr><td>4 PLC</td><td>± -</td></tr> <tr><td>ANGLES</td><td>± -</td></tr> </table>		0 PLC	± -	1 PLC	± 0.5	2 PLC	± 0.1	3 PLC	± -	4 PLC	± -	ANGLES	± -	PRODUCT SPEC -	DIGITAL METER OUTLINE DRAWING		
0 PLC	± -																
1 PLC	± 0.5																
2 PLC	± 0.1																
3 PLC	± -																
4 PLC	± -																
ANGLES	± -																
MATERIAL VARIES		FINISH VARIES	APPLICATION SPEC -	SIZE A3	CAGE CODE 00779												
			WEIGHT -	DRAWING NO G=CI-3K68601	RESTRICTED TO -												
CUSTOMER DRAWING			SCALE NTS	SHEET 1 of 1	REV 1												