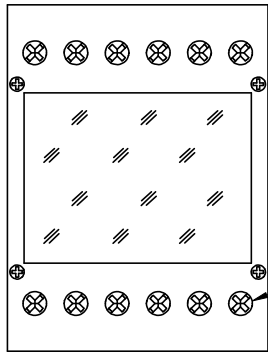


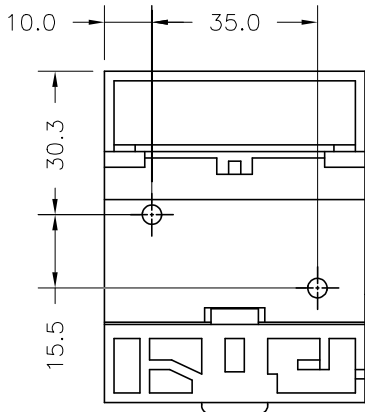
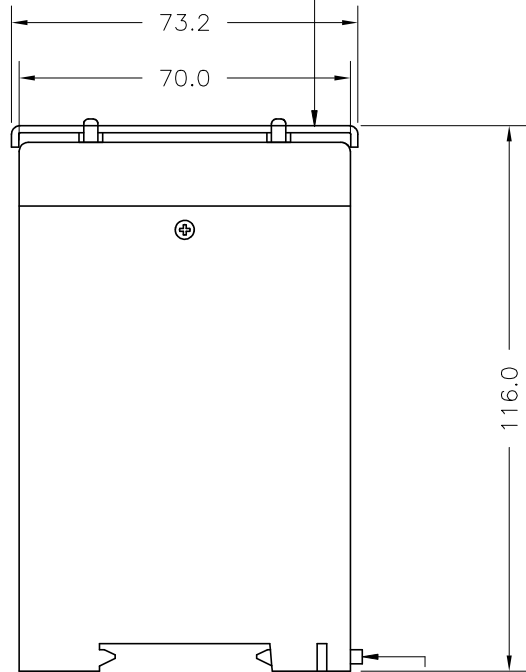
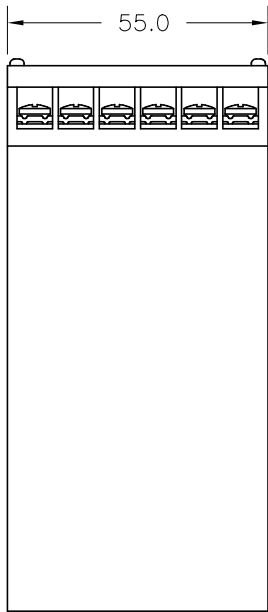
REVISIONS

P	LTR	DESCRIPTION	DATE	DWN	APVD
	1	NEW LAYOUT	07FEB2020	SG	NJ

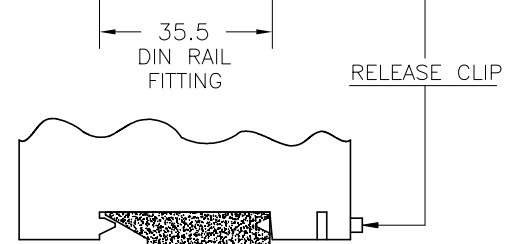


SCREW DOWN TERMINALS
12 MAXIMUM
(VARIES PER PRODUCT)

TERMINAL COVER



MOUNTING BRACKET




35.5
DIN RAIL
FITTING

RELEASE CLIP

VIEW SHOWING FITTING TO MOUNTING BRACKET
(ALTERNATIVE TO DIN RAIL FITTING)

THIS DRAWING IS UNPUBLISHED.

RELEASED FOR PUBLICATION
ALL RIGHTS RESERVED.
© COPYRIGHT - TE Connectivity Ltd.

DIMENSIONS: mm	DWN	SANDEEP G	07FEB2020	MATERIAL	-	FINISH	-					
	CHK	NIGEL JOHNSON	07FEB2020	 TE Connectivity								
TOLERANCES UNLESS OTHERWISE SPECIFIED:	APVD	NIGEL JOHNSON	07FEB2020									
0 PLC ± -	PRODUCT SPEC	-	NAME	252 SERIES, PALADINS & PROTECTORS OUTLINE DRAWING								
1 PLC ± 0.5	APPLICATION SPEC	-	SIZE	A4	CAGE CODE	00779	DRAWING NO	CI-3C12701	RESTRICTED TO	-		
2 PLC ± 0.1	WEIGHT	-	CUSTOMER DRAWING				SCALE	NTS	SHEET	1 OF 1	REV	1
3 PLC ± -												
4 PLC ± -												
ANGLES ± -												