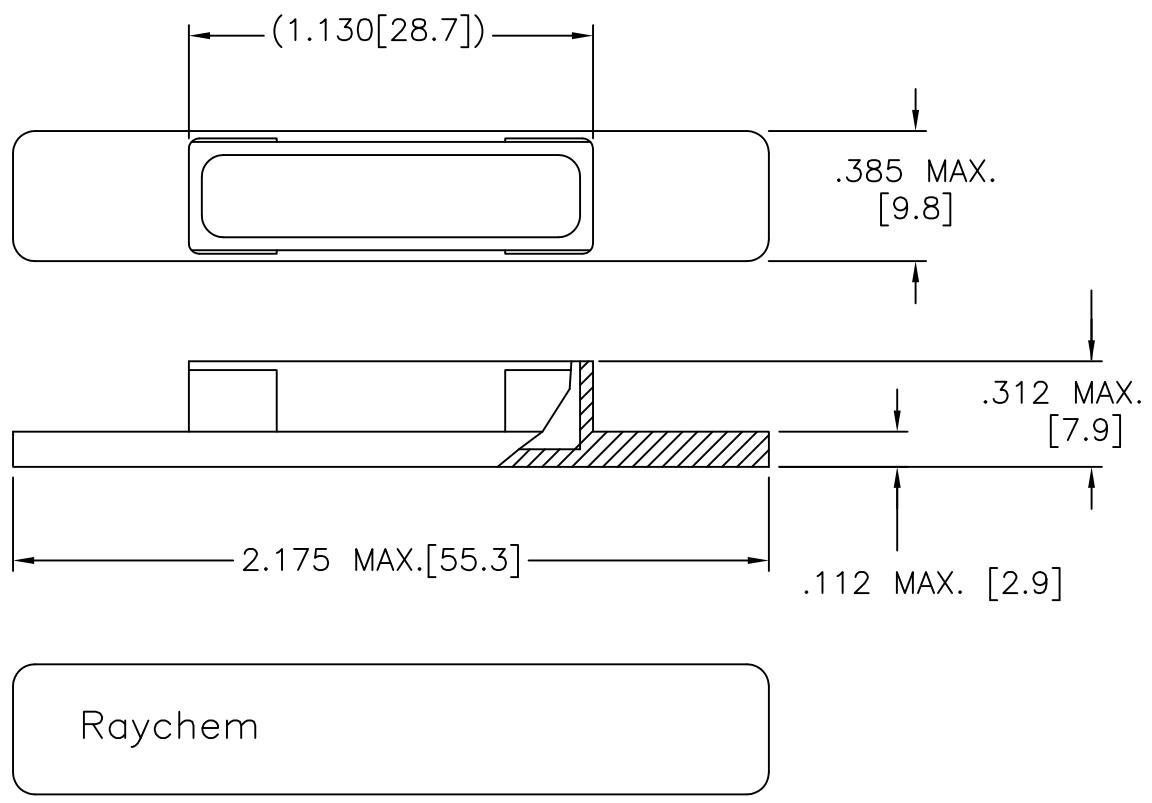


THIS DRAWING AND THE INFORMATION SET FORTH HEREON ARE THE PROPERTY OF TYCO ELECTRONICS CORPORATION AND ARE TO BE HELD IN TRUST AND CONFIDENCE. PUBLICATION, DUPLICATION, DISCLOSURE OR USE FOR ANY PURPOSE NOT EXPRESSLY AUTHORIZED IN WRITING BY TYCO ELECTRONICS CORPORATION IS PROHIBITED.

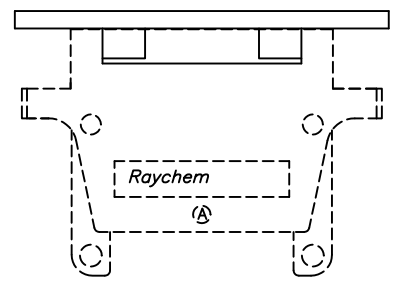
REVISIONS			
LTR	DESCRIPTION	DATE	APPROVED
A	INITIAL RELEASE PER DCR# C060241	May/8/06	M.HIGGY
B	PER ECO-10-022842	Nov/8/2010	M.HIGGY



NOTES:

1. THIS PART IS USED WITH MTC50, MTC100Q AND MTCTQ, 1 INCH RECEPTACLE CONNECTORS.
2. MATERIAL: PETROTHENE NA860008
LDPE POLYETHYLENE RESIN
COLOR RED.
3. WEIGHT: 0.003 Lbs. [1.32 grm.] MAXIMUM.

VIEW SHOWING TYPICAL
INSTALLATION



RECEPTACLE CONNECTOR

If this document is printed it becomes uncontrolled. Check for the latest revision

©2006-2010 Tyco Electronics Corporation. All rights reserved.

CUSTOMER DRAWING

UNLESS OTHERWISE SPECIFIED DIMENSIONS ARE IN INCHES. METRIC DIMENSIONS ARE IN BRACKETS. DECIMALS .XXX ± 0.005 [0.13 mm] .XX ± 0.01 [0.25 mm] .X ± 0.1 [0.50 mm] ANGLES .X ± 0.5 DEG	DRAWN	ZSOFIA.ORBAN	5MAY2006		Raychem Interconnect	
	CHECKED				300 Constitution Drive Menlo Park, CA 94025 U.S.A	
	APPROVED	M.HIGGY	5MAY2006	TITLE	CAP, DUST, 1 INCH RECEPTACLE MTC50, MTC100Q AND MTCTQ POLYETHYLENE LOW DENSITY, RED	
	FINISH:	AS MOLDED		SIZE	CAGE CODE:	DWG. NO.
CAD NAME:	CHA-1600		A	06090	CHA-1600	
THIRD ANGLE PROJECTION			SCALE: NONE		REV: B	
			SHEET 1 OF 1			