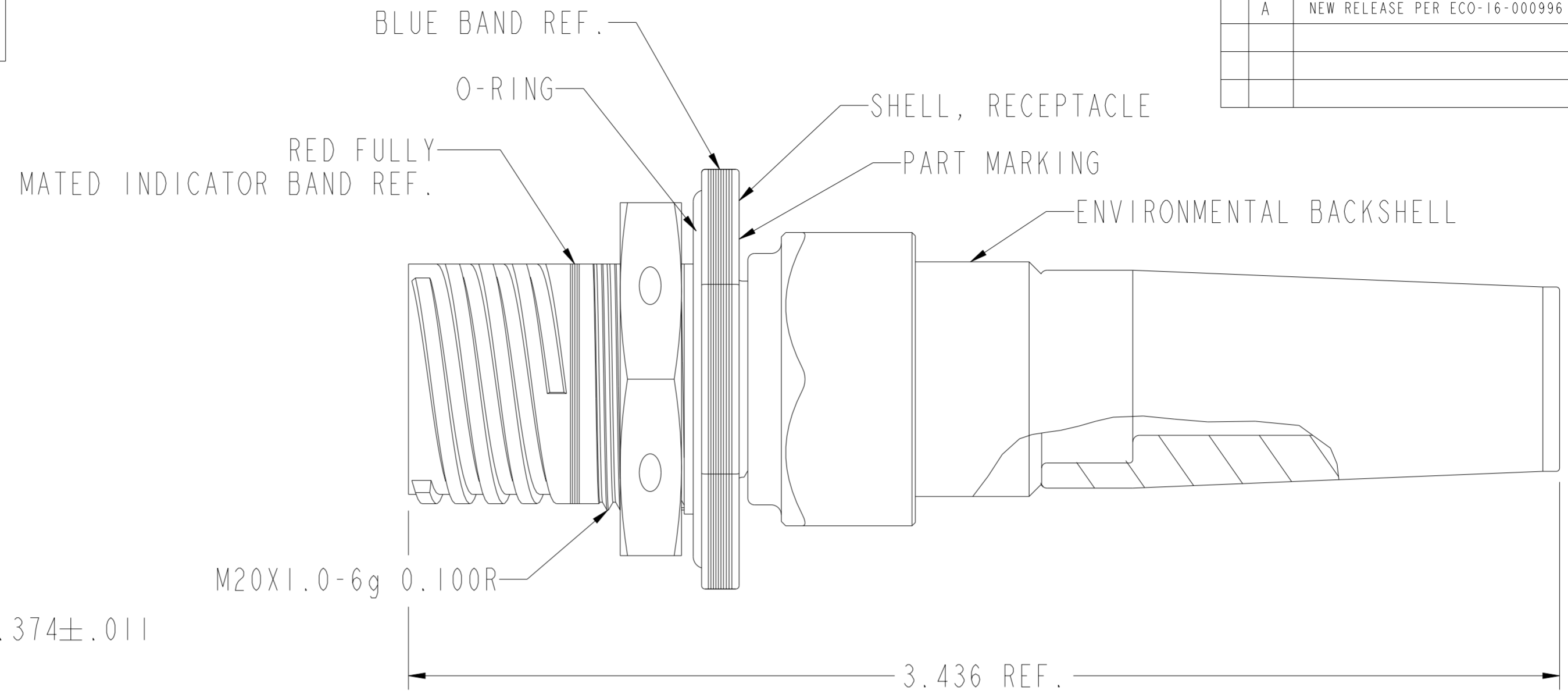
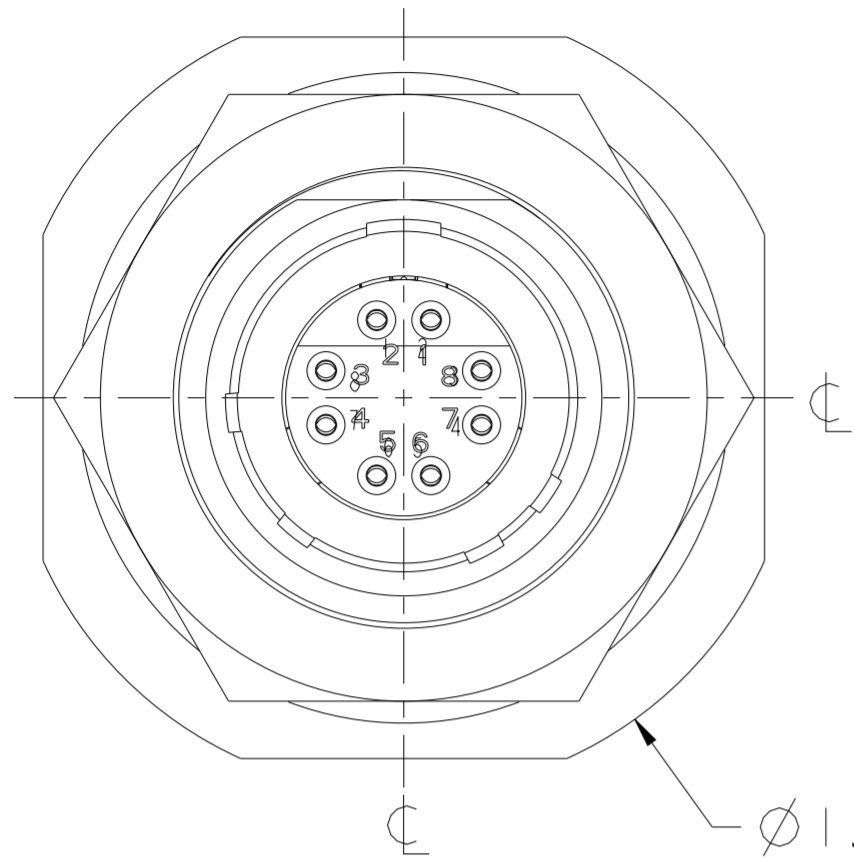


THIS DRAWING IS UNPUBLISHED. RELEASED FOR PUBLICATION 20
 © COPYRIGHT 20 ALL RIGHTS RESERVED.

PROPERTY OF THE TE CONNECTIVITY
 THIS INFORMATION IS CONFIDENTIAL AND PROPERTY TO TYCO ELECTRONICS CORPORATION
 AND ITS WORLDWIDE SUBSIDIARIES AND AFFILIATES (TE). IT MAY NOT BE DISCLOSED TO
 ANYONE, OTHER THAN TE PERSONNEL, WITHOUT AUTHORIZATION FROM TE (www.TE.com).

REVISIONS				
P	LTR	DESCRIPTION	DATE	APVD
A		NEW RELEASE PER ECO-16-000996	160122	JPF



PIN INSERT MARKING SHOWN ABOVE

CFX24 (x)₁ 1108 (x)₂ Z (x)₃ xxx
 MODIFICATION
 KEYING POSITION:
 N, A, B, C, D, E
 CONTACT TERMINATION:
 Z = CRIMPED CONTACT
 A THROUGH Y = EXTENDED CONTACT
 (SEE SHEET 2)
 CONTACT FINISH:
 P = PIN LOCALIZED GOLD FINISH
 S = SOCKET LOCALIZED GOLD FINISH
 F = PIN FULL GOLD FINISH
 G = SOCKET FULL GOLD FINISH
 H = PIN HI REL FINISH
 J = SOCKET HI REL FINISH
 A = LESS PIN CONTACT
 B = LESS SOCKET CONTACT
 SHELL SIZE/INSERT ARRANGEMENT
 PLATING/SHELL MATERIAL:
 SEE TABLE
 BASIC IDENTIFIER

PART NUMBER (x) ₁	PLATING ⁴	SHELL MATERIAL ³
M	NICKEL	COMPOSITE
J	O.D. CAD	COMPOSITE
F	NICKEL	ALUMINUM
W	O.D. CAD	ALUMINUM
S	NICKEL	STAINLESS STEEL ²
T	TEFLON NICKEL	ALUMINUM ²
Z	BLACK ZINC NICKEL	ALUMINUM ²

SIZE II PART NUMBER (x) ₃	POS
CFX24x1108xZN	N
CFX24x1108xZA	A
CFX24x1108xZB	B
CFX24x1108xZC	C
CFX24x1108xZD	D
CFX24x1108xZE	E

- 7. PARTS ARE KITTED AS SEPARATE COMPONENTS FOR DELIVERY.
- 6. COMPOSITE WEIGHT WITHOUT MODULES AND CABLE: 0.0674 POUNDS.
 METAL WEIGHT WITHOUT MODULES AND CABLE: 0.079 POUNDS.
 PIN MODULE WEIGHT: .005 LBS.
 SOCKET MODULE WEIGHT: .011 LBS.
- 5. MATES WITH CFX26x1108xxx.

- ⁴ FINISH: SHELL/BACKSHELL - SEE TABLE.
 CONTACTS - SEE PART NUMBER BREAKDOWN.
- ³ MATERIAL: SHELL - SEE TABLE.
 BACKSHELL/COUPLING RING - ALUMINUM ALLOY.
 CONTACTS - COPPER ALLOY.
 RESILIENT INSERTS/BACKSHELL GROMMET - SILICONE ELASTOMER.
 PLASTIC INSERTS - THERMOPLASTIC.

- 2. FOR AVAILABILITY CONSULT FACTORY.
- ¹ ALL DIMENSIONS ARE IN INCHES UNLESS OTHERWISE SPECIFIED.

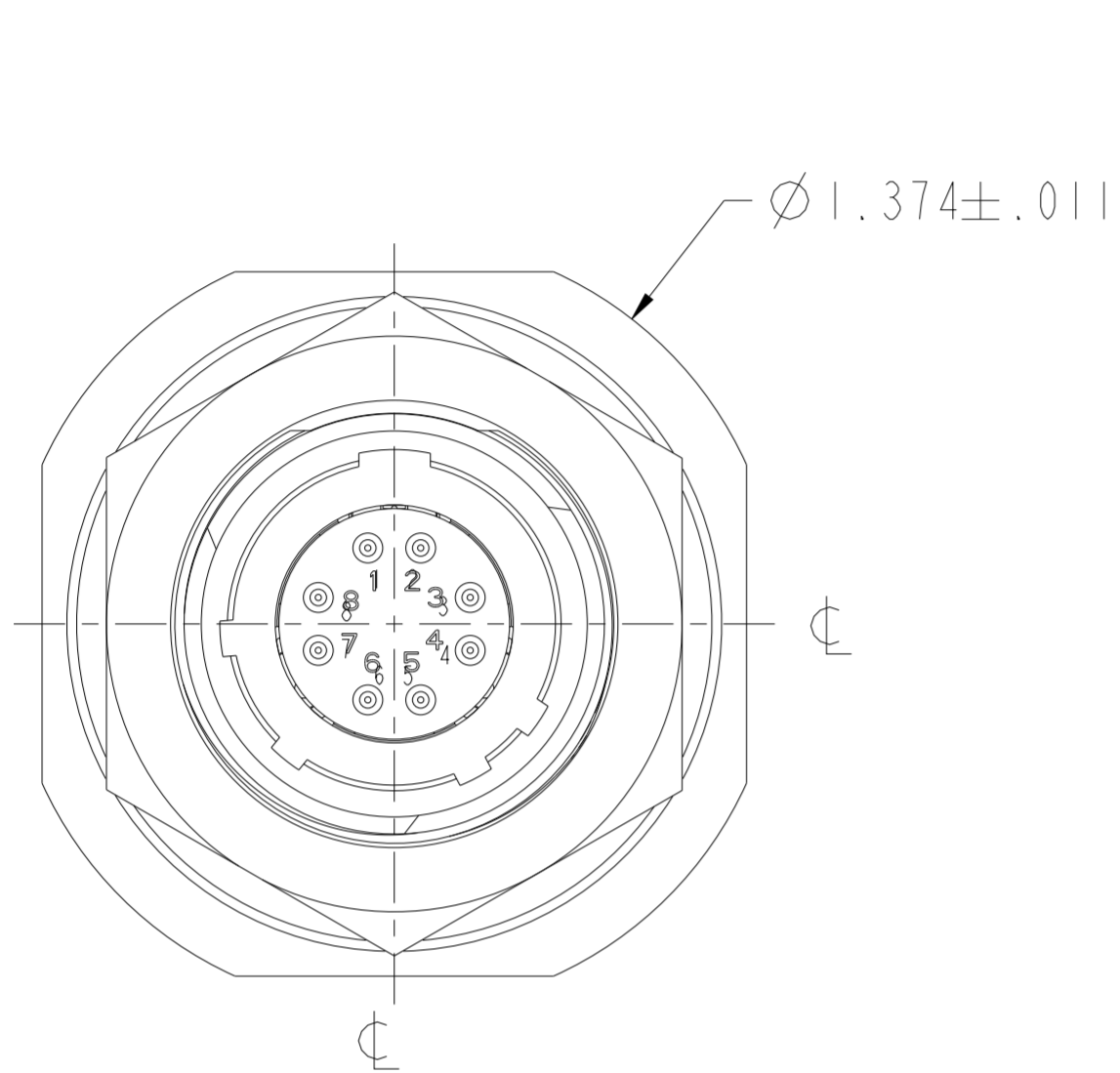
THIS DRAWING IS A CONTROLLED DOCUMENT.

DWN	JPF	140219	TE Connectivity
CHK	JPF	160122	
APVD	AR	160122	
PRODUCT SPEC			
NAME CONNECTOR, RECEPTACLE JAM NUT MOUNTING, THREADED COUPLING, 1108 ARRANGEMENT			
DIMENSIONS: INCH		TOLERANCES UNLESS OTHERWISE SPECIFIED:	
0 PLC ±1 1 PLC ±0.1 2 PLC ±0.01 3 PLC ±0.005 4 PLC ±0.0005 ANGLES ±0.5 FINISH ⁴		SIZE A2	
MATERIAL ³		CAGE CODE 11139	
CUSTOMER DRAWING		DRAWING NO CFX24x1108xxx	
SCALE 3.000		SHEET 1 OF 2	
REV A1		RESTRICTED TO	

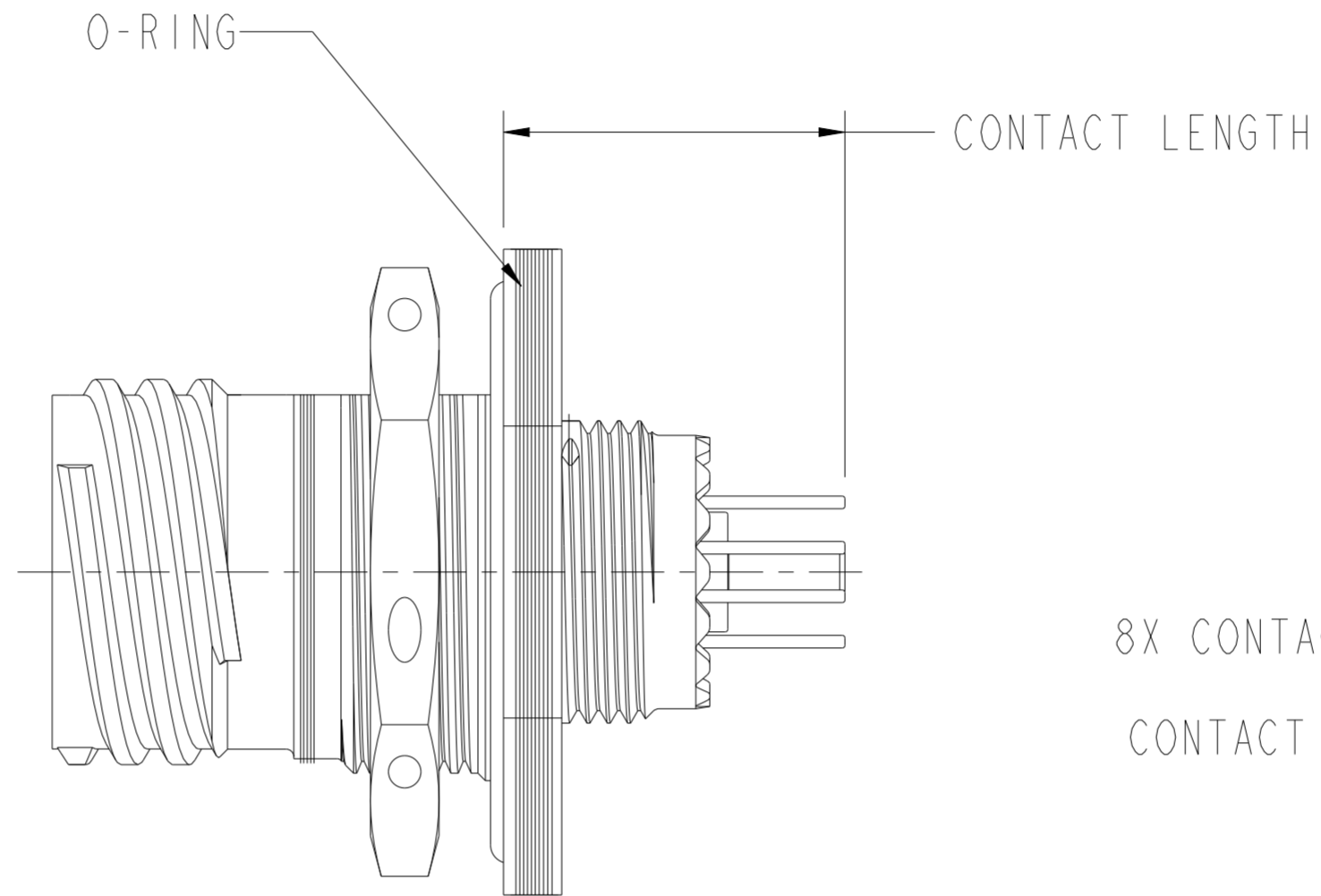
THIS DRAWING IS UNPUBLISHED. RELEASED FOR PUBLICATION 20
 © COPYRIGHT 20 ALL RIGHTS RESERVED.

PROPERTY OF THE TE CONNECTIVITY
 THIS INFORMATION IS CONFIDENTIAL AND PROPERTY TO TYCO ELECTRONICS CORPORATION
 AND ITS WORLDWIDE SUBSIDIARIES AND AFFILIATES (TE). IT MAY NOT BE DISCLOSED TO
 ANYONE, OTHER THAN TE PERSONNEL, WITHOUT AUTHORIZATION FROM TE (www.TE.com).

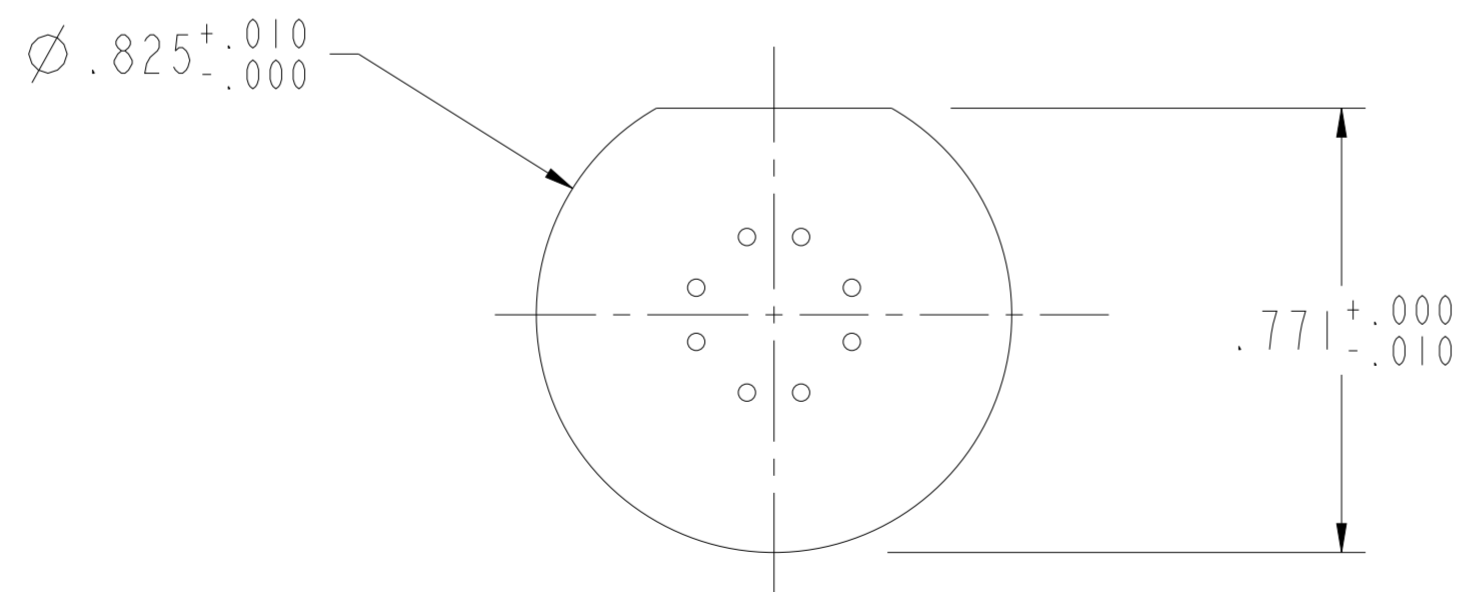
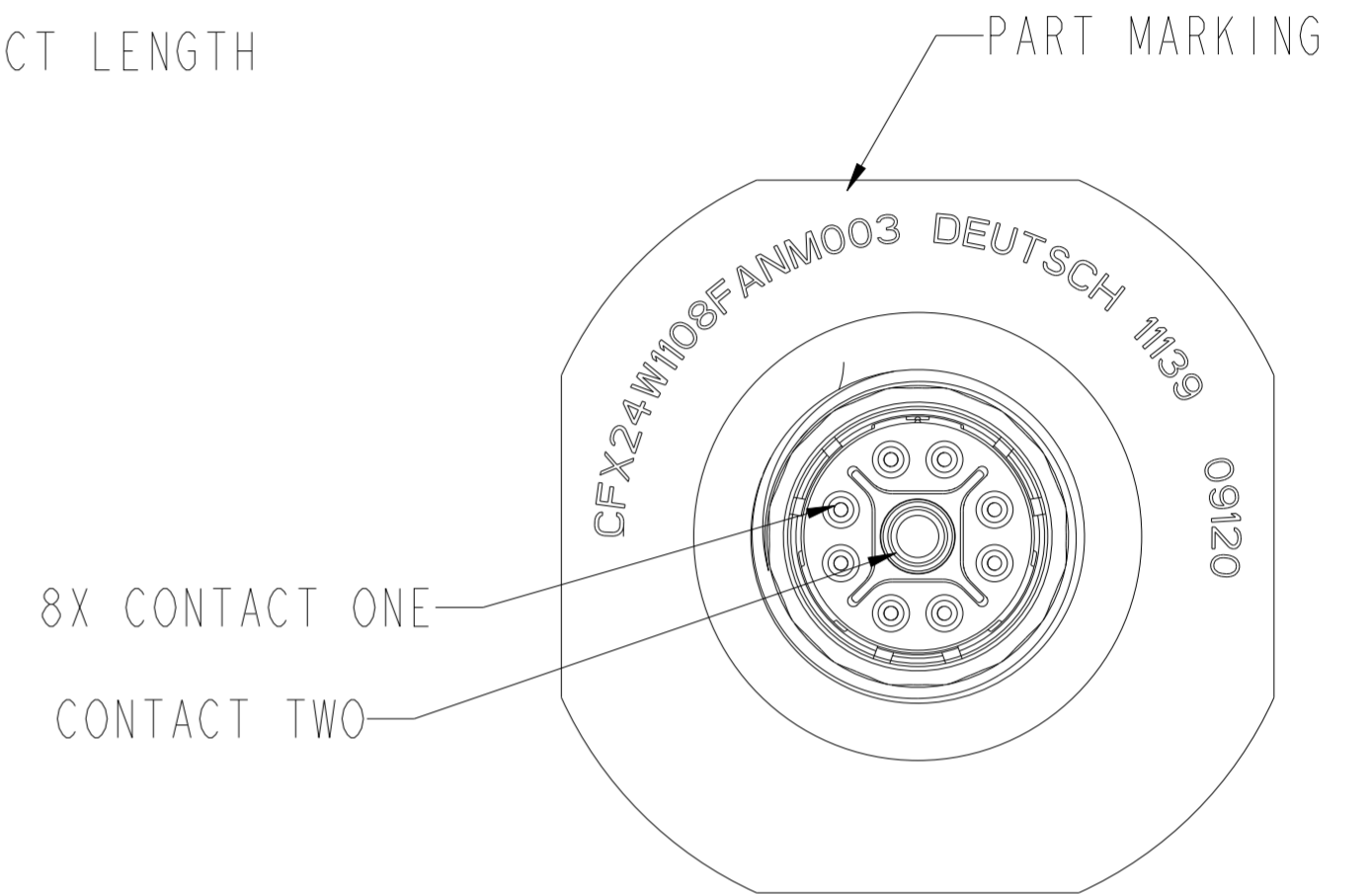
LOC		DIST		REVISIONS			
P	LTR	DESCRIPTION		DATE	DWN	APVD	
-	-	SEE SHEET 1		-	-	-	



PIN INSERT MARKING SHOWN ABOVE



SHELL, RECEPTACLE WITH EXTENDED CONTACTS



JAM NUT MOUNTING
 PANEL THICKNESS: 0.062-0.126 in.
 TORQUE: 40/45 inch-lbs

CONTACT CONFIGURATION IDENTIFIER	CONTACT LENGTH $\pm .025$	CONTACT ONE DIAMETER $\pm .003$	CONTACT TWO DIAMETER $\pm .003$	PLATING
A	.662	.025	.095	GOLD OVER NICKEL
B	TBD			
C	TBD			
D	TBD			

THIS DRAWING IS A CONTROLLED DOCUMENT.		DWN	JPF	140219	STE TE Connectivity		
DIMENSIONS: INCH		CHK	JPF	160122			
TOLERANCES UNLESS OTHERWISE SPECIFIED:		APVD	AR	160122	NAME		
0 PLC ± 1	± 1	PRODUCT SPEC		CONNECTOR, RECEPTACLE			
1 PLC ± 0.1	± 0.1	APPLICATION SPEC		JAM NUT MOUNTING, THREADED			
2 PLC ± 0.01	± 0.01	WEIGHT		COUPLING, 1108 ARRANGEMENT			
3 PLC ± 0.005	± 0.005	SIZE	A2	CAGE CODE	11139	DRAWING NO	RESTRICTED TO
4 PLC ± 0.0005	± 0.0005	MATERIAL		Customer Drawing		SCALE	3.000
ANGLES ± 0.5	± 0.5	FINISH		SHEET		2	OF 2
				REV		A1	