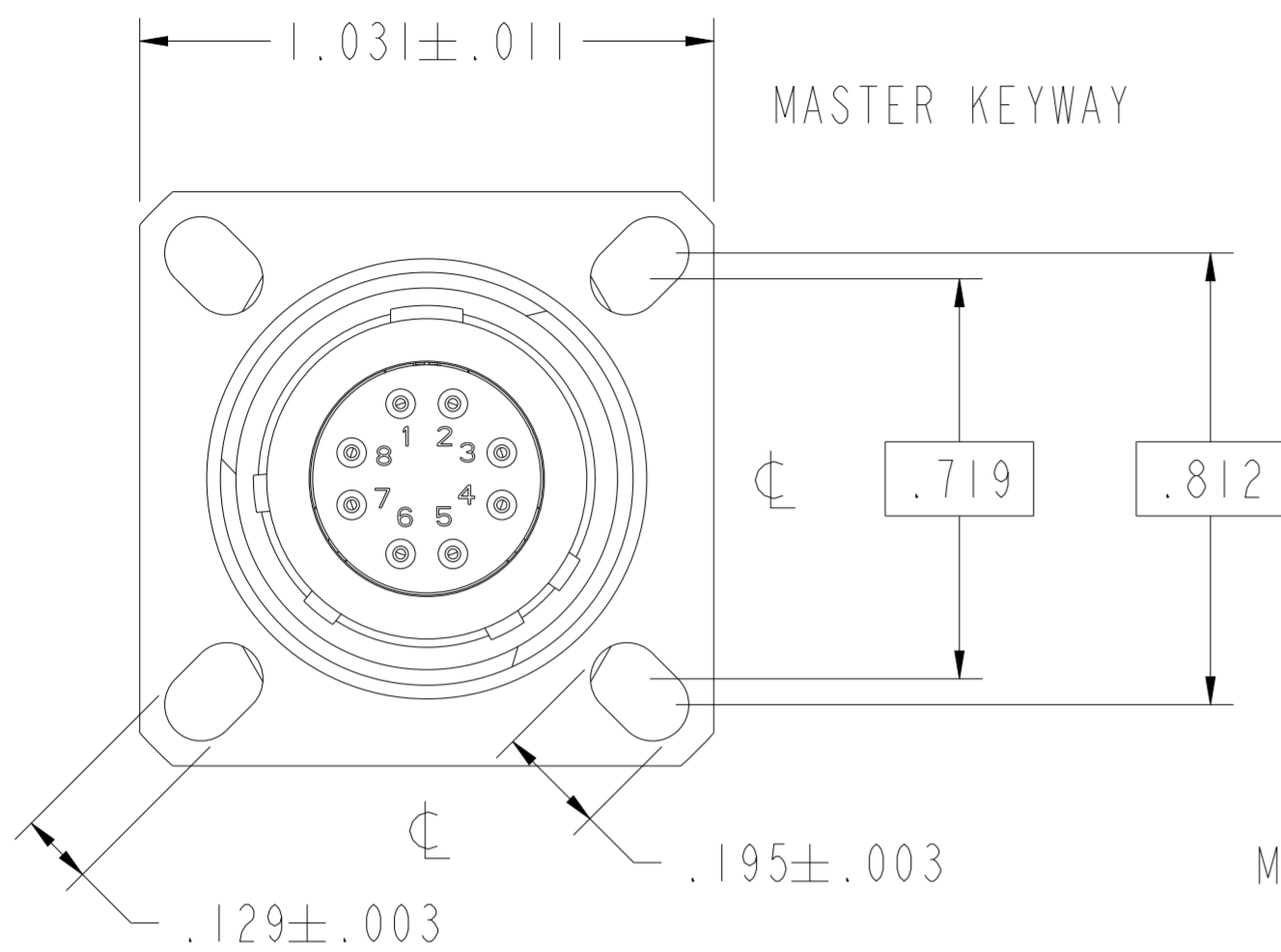


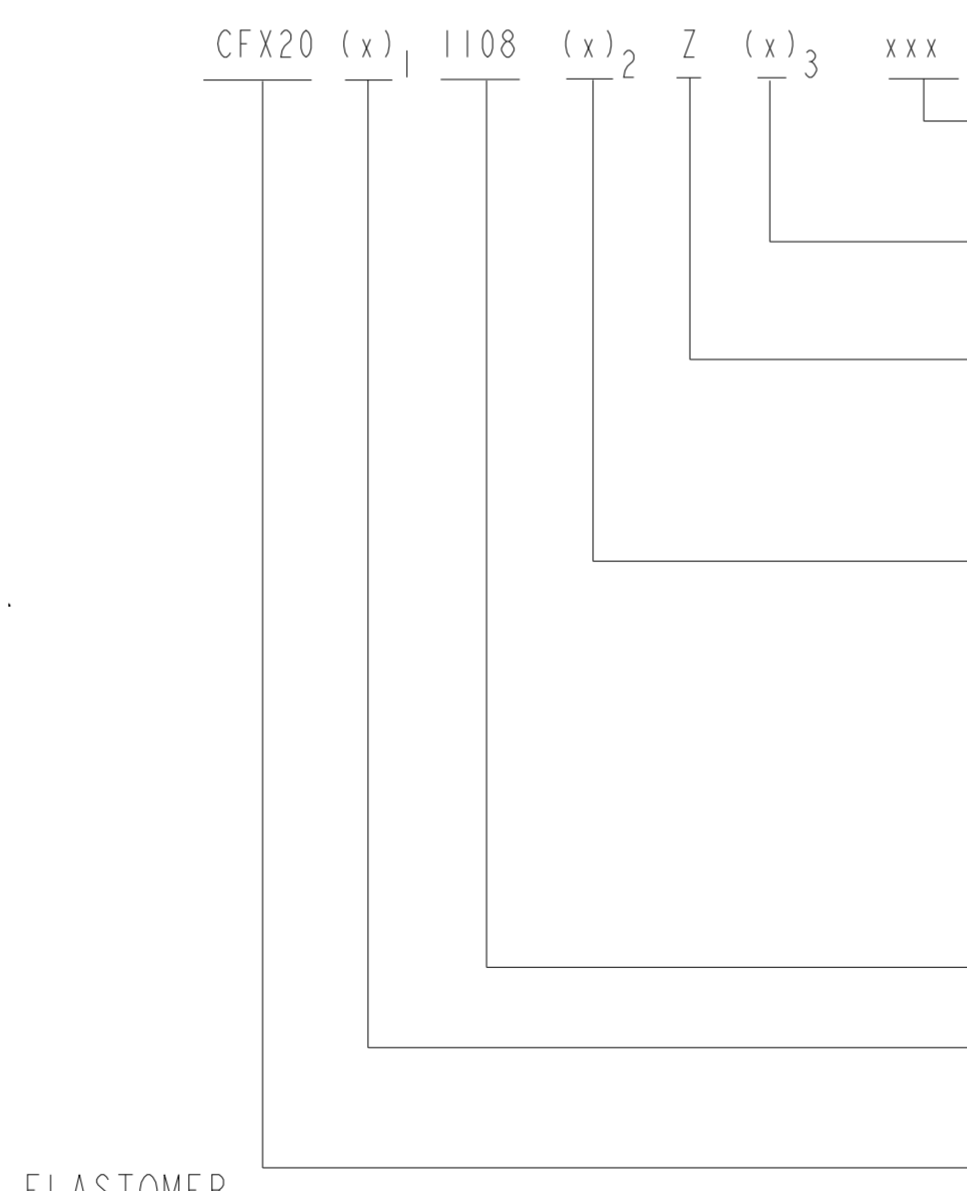
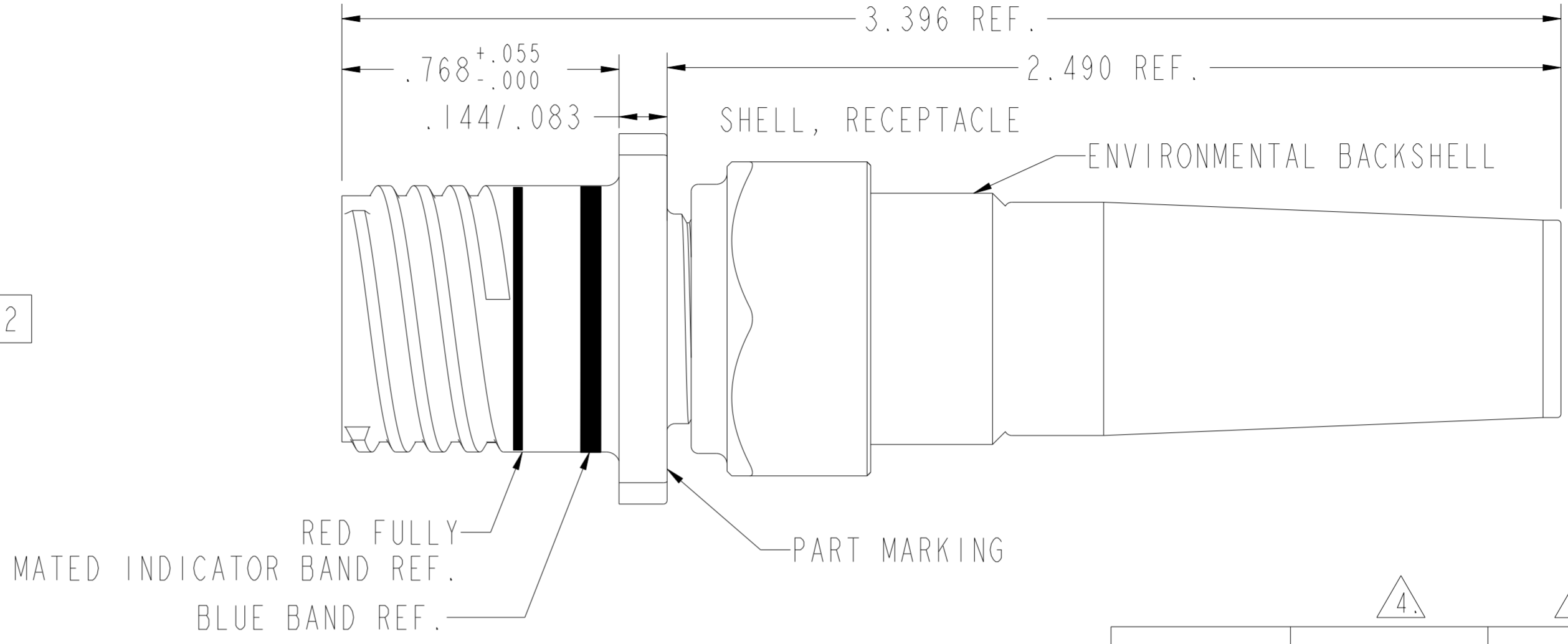
THIS DRAWING IS UNPUBLISHED. RELEASED FOR PUBLICATION 20
 © COPYRIGHT 20 ALL RIGHTS RESERVED.

PROPERTY OF THE TE CONNECTIVITY
 THIS INFORMATION IS CONFIDENTIAL AND PROPERTY TO TYCO ELECTRONICS CORPORATION
 AND ITS WORLDWIDE SUBSIDIARIES AND AFFILIATES (TE). IT MAY NOT BE DISCLOSED TO
 ANYONE, OTHER THAN TE PERSONNEL, WITHOUT AUTHORIZATION FROM TE (www.TE.com).

| LOC | | DIST | | REVISIONS | | | |
|-----|-----|-------------------------------|--------|-----------|------|--|--|
| P | LTR | DESCRIPTION | DATE | DWN | APVD | | |
| A | | NEW RELEASE PER ECO-16-000996 | 160121 | JPF | JPF | | |
| B | | REVISED PER ECN | | EO | | | |



PIN INSERT MARKING SHOWN ABOVE



MODIFICATION
 1077 = BACKSHELL LESS GROMMET
 M004 = TINEL LOCK BACKSHELL
 KEYING POSITION:
 N, A, B, C, D, E
 CONTACT TERMINATION:
 Z = CRIMPED CONTACT
 A THROUGH Y = EXTENDED CONTACT
 (SEE SHEET 2)
 CONTACT FINISH:
 P = PIN LOCALIZED GOLD FINISH
 S = SOCKET LOCALIZED GOLD FINISH
 F = PIN FULL GOLD FINISH
 G = SOCKET FULL GOLD FINISH
 H = PIN HI REL FINISH
 J = SOCKET HI REL FINISH
 A = LESS PIN CONTACT
 B = LESS SOCKET CONTACT
 SHELL SIZE/INSERT ARRANGMENT
 PLATING/SHELL MATERIAL:
 SEE TABLE
 BASIC IDENTIFIER

| PART NUMBER (x) ₁ | PLATING | SHELL MATERIAL |
|------------------------------|-------------------|-----------------|
| M | NICKEL | COMPOSITE |
| J | O.D. CAD | COMPOSITE |
| F | NICKEL | ALUMINUM |
| W | O.D. CAD | ALUMINUM |
| S | NICKEL | STAINLESS STEEL |
| T | TEFLON NICKEL | ALUMINUM |
| Z | BLACK ZINC NICKEL | ALUMINUM |

| SIZE 11 PART NUMBER(x) ₃ | POS |
|-------------------------------------|-----|
| CFX20x1108xZN | N |
| CFX20x1108xZA | A |
| CFX20x1108xZB | B |
| CFX20x1108xZC | C |
| CFX20x1108xZD | D |
| CFX20x1108xZE | E |

- 7. PARTS ARE KITTED AS SEPARATE COMPONENTS FOR DELIVERY
- 6. COMPOSITE WEIGHT WITHOUT MODULES AND CABLE: 0.046 POUNDS.
 METAL WEIGHT WITHOUT MODULES AND CABLE: 0.078 POUNDS.
 PIN MODULE WEIGHT: .005 LBS.
 SOCKET MODULE WEIGHT: .011 LBS.
- 5. MATES WITH CFX26x1108xxx.

- 4. FINISH: SHELL/BACKSHELL - SEE TABLE.
 CONTACTS - SEE PART NUMBER BREAKDOWN.
- 3. MATERIAL: SHELL - SEE TABLE.
 BACKSHELL/ COUPLING RING - ALUMINUM ALLOY.
 CONTACTS - COPPER ALLOY.
 RESILIENT INSERTS/BACKSHELL GROMMET - SILICONE ELASTOMER.
 PLASTIC INSERTS - THERMOPLASTIC.

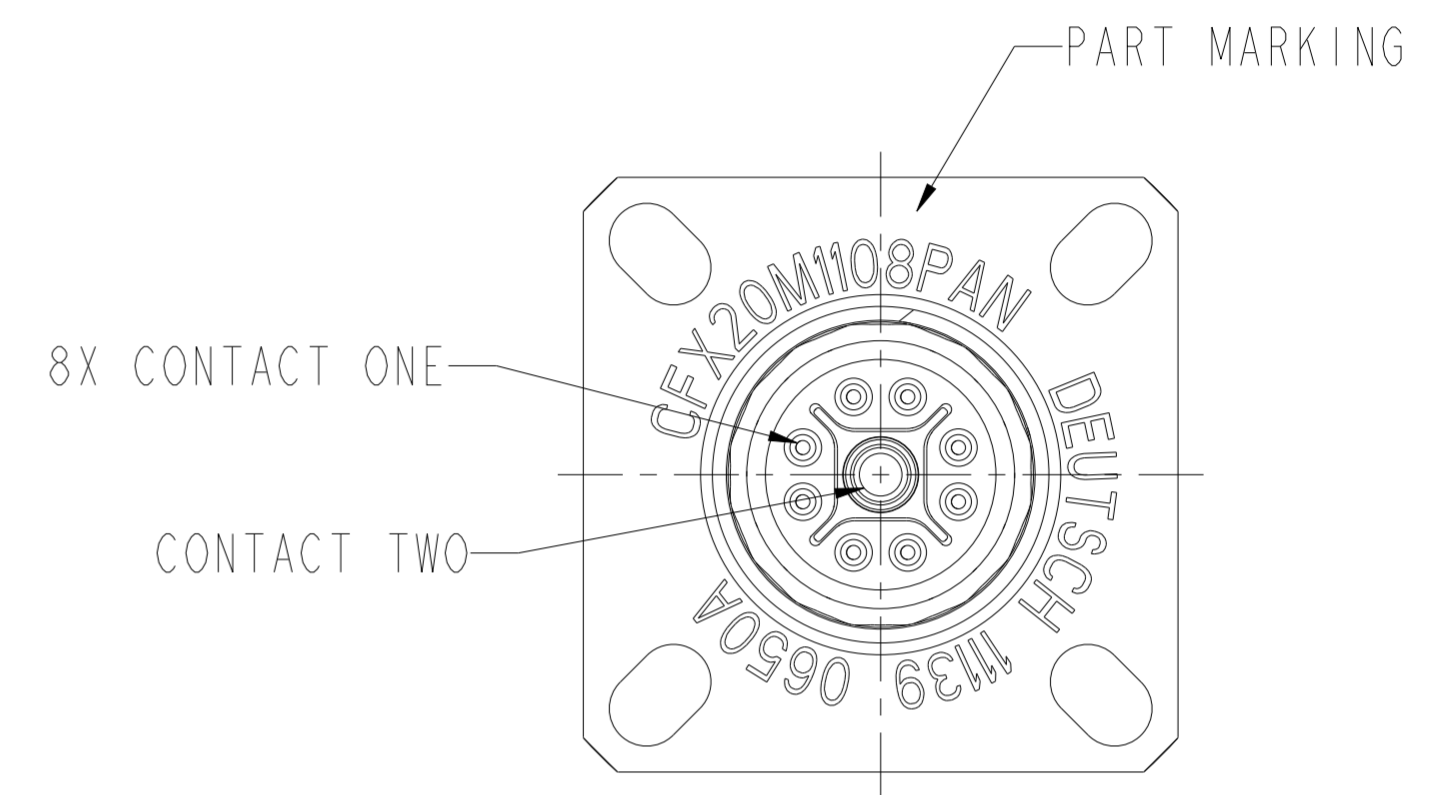
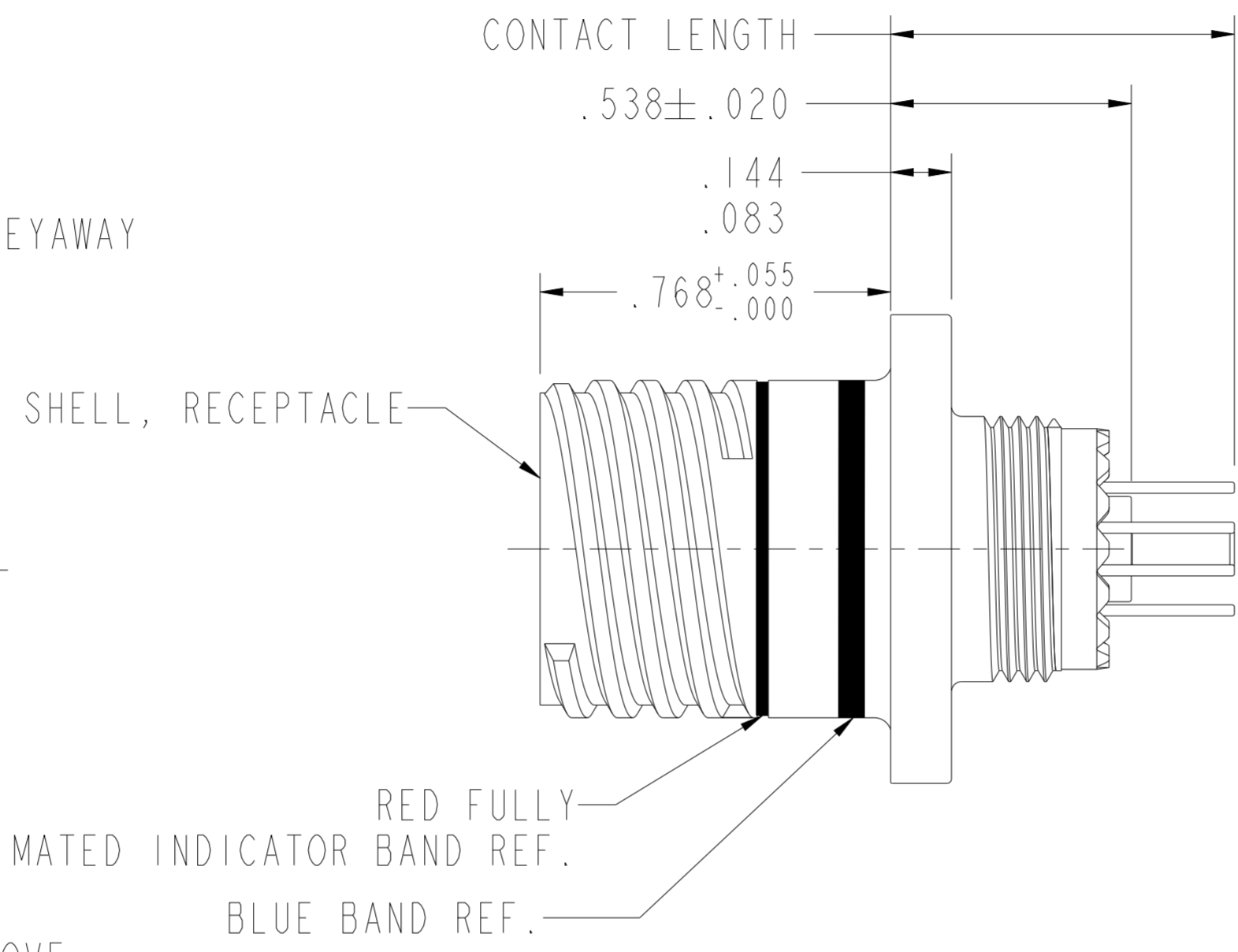
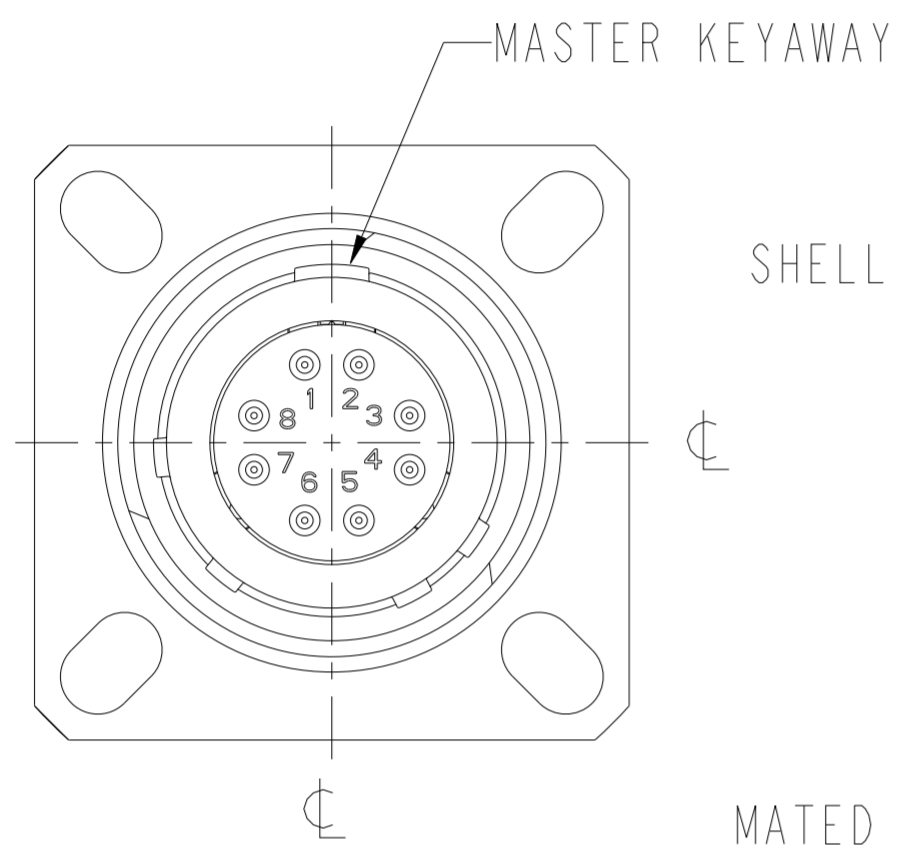
- 2. FOR AVAILABILITY CONSULT FACTORY.
- 1. ALL DIMENSIONS ARE IN INCHES UNLESS OTHERWISE SPECIFIED.

| | | | | | | | | | | | | |
|---|---|------------------|-----|--------|----------------------------|--|-----------|-------|------------|---------------|---------------|---|
| THIS DRAWING IS A CONTROLLED DOCUMENT. | | DWN | JPF | 140226 | STE TE Connectivity | | | | | | | |
| DIMENSIONS: INCH | | CHK | JPF | 160122 | | | | | | | | |
| TOLERANCES UNLESS OTHERWISE SPECIFIED: | | APVD | AR | 160122 | | | | | | | | |
| 0 PLC ±1 1 PLC ±0.1 2 PLC ±0.01 3 PLC ±0.005 4 PLC ±0.0005 ANGLES ±0.5 FINISH | | PRODUCT SPEC | - | - | | | | | | | | |
| MATERIAL | 3 | APPLICATION SPEC | - | - | NAME | CONNECTOR, RECEPTACLE SQUARE FLANGE 1108 ARRANGEMENT | | | | | | |
| CUSTOMER DRAWING | | WEIGHT | - | - | SIZE | A2 | CAGE CODE | 11139 | DRAWING NO | CFX20x1108xxx | RESTRICTED TO | - |
| | | SCALE | | 3.000 | SHEET | | 1 | OF | 4 | REV | B1 | |

THIS DRAWING IS UNPUBLISHED. RELEASED FOR PUBLICATION 20
 © COPYRIGHT 20 ALL RIGHTS RESERVED.

PROPERTY OF THE TE CONNECTIVITY
 THIS INFORMATION IS CONFIDENTIAL AND PROPERTY TO TYCO ELECTRONICS CORPORATION
 AND ITS WORLDWIDE SUBSIDIARIES AND AFFILIATES (TE). IT MAY NOT BE DISCLOSED TO
 ANYONE, OTHER THAN TE PERSONNEL, WITHOUT AUTHORIZATION FROM TE (www.TE.com).

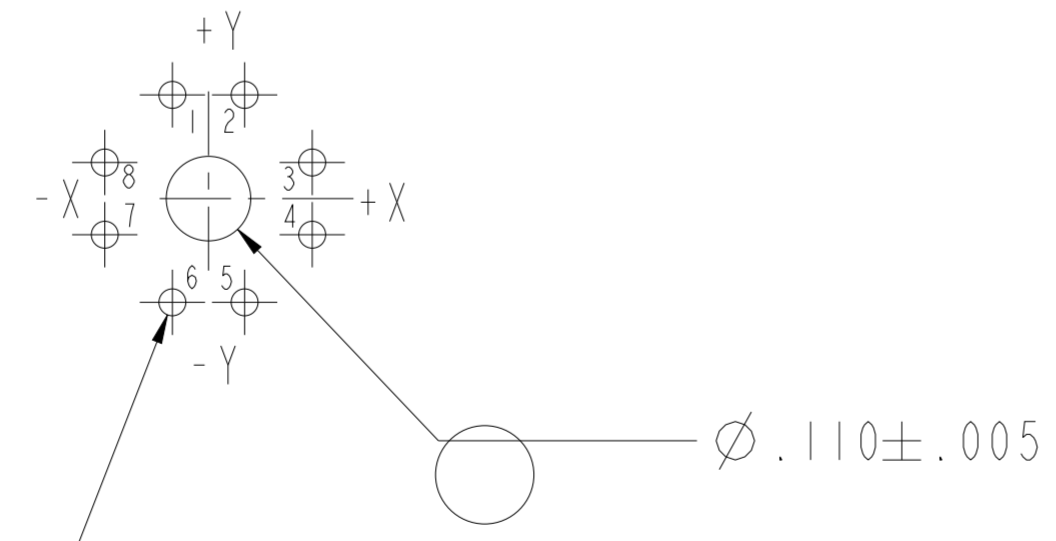
| LOC | | DIST | | REVISIONS | | | |
|-----|-----|-------------|------|-----------|------|--|--|
| P | LTR | DESCRIPTION | DATE | DWN | APVD | | |
| - | - | SEE SHEET 1 | - | - | - | | |



PIN INSERT MARKING SHOWN ABOVE

RECEPTACLE WITH EXTENDED CONTACTS

| INSERT ARRANGEMENT 1108 8 SIZE 22 CONTACTS | | |
|--|----------|--------|
| CONTACT POSITION ID | LOCATION | |
| | X-AXIS | Y-AXIS |
| 1 | -.047 | +.135 |
| 2 | +.047 | +.135 |
| 3 | +.135 | +.047 |
| 4 | +.135 | -.047 |
| 5 | +.047 | -.135 |
| 6 | -.047 | -.135 |
| 7 | -.135 | -.047 |
| 8 | -.135 | +.047 |



4X $\phi .128 \pm .005$

8X $\phi .035 \pm .003$

SIZE 11 SQUARE FLANGE
 FRONT PANEL MOUNTING.
 BOARD MOUNT LAYOUT
 PIN CAVITY LOCATIONS

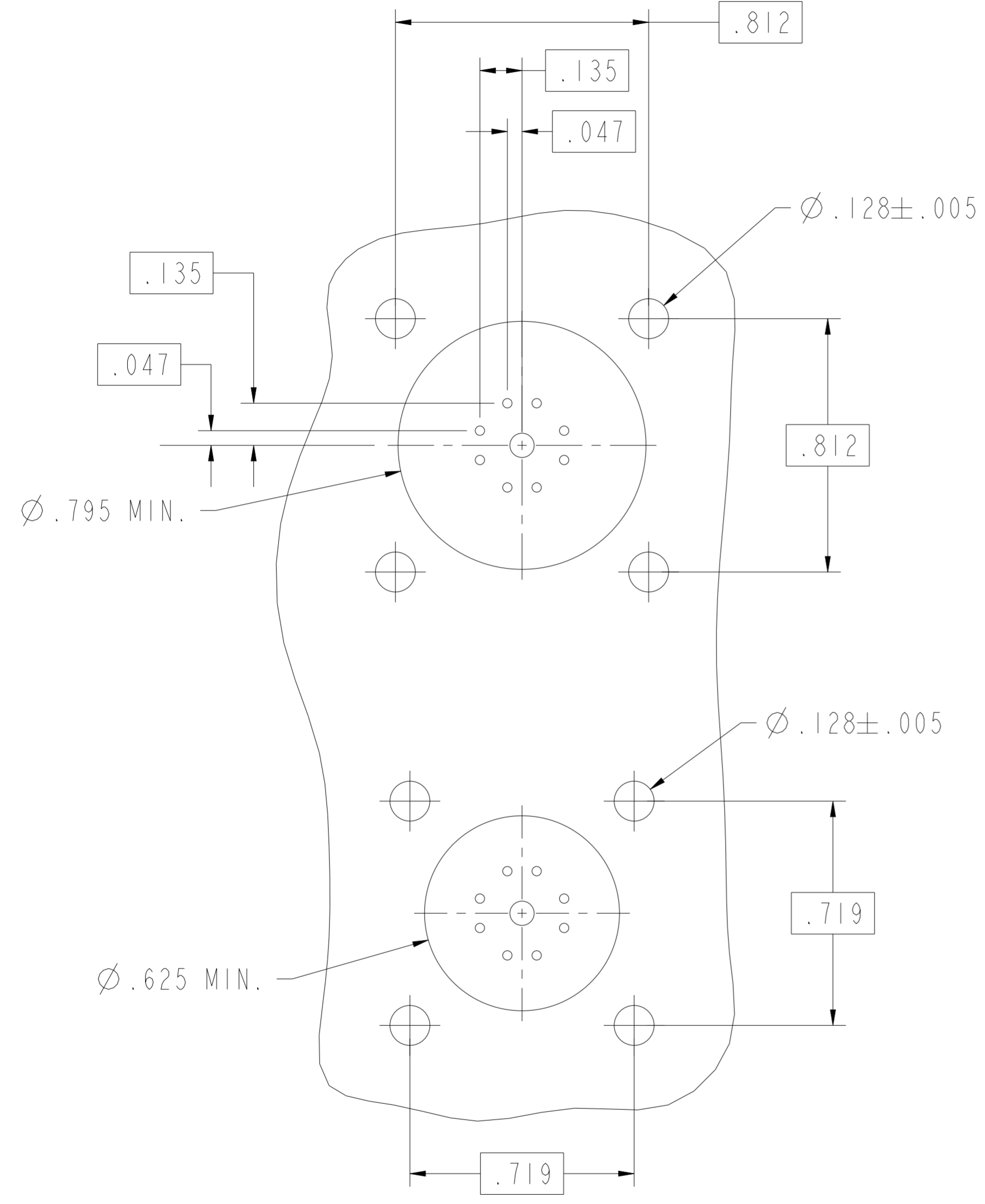
| CONTACT CONFIGURATION IDENTIFIER | CONTACT LENGTH $\pm .025$ | CONTACT ONE DIAMETER $\pm .003$ | CONTACT TWO DIAMETER $\pm .003$ | PLATING ON TAIL |
|----------------------------------|---------------------------|---------------------------------|---------------------------------|------------------|
| A | .762 | .025 | .095 | GOLD OVER NICKEL |
| B | .830 | .025 | .095 | GOLD OVER NICKEL |
| C | TBD | | | |
| D | TBD | | | |

| | | | | |
|---|--|------------------|--------------|--|
| THIS DRAWING IS A CONTROLLED DOCUMENT. | | DWN | 140226 | TE Connectivity |
| DIMENSIONS: INCH | | CHK | JPF 160122 | |
| TOLERANCES UNLESS OTHERWISE SPECIFIED: 0 PLC ± 1 1 PLC ± 0.1 2 PLC ± 0.01 3 PLC ± 0.005 4 PLC ± 0.0005 ANGLES ± 0.5 | | APVD | AR 160122 | NAME CONNECTOR, RECEPTACLE SQUARE FLANGE 1108 ARRANGEMENT |
| MATERIAL | | PRODUCT SPEC | - | |
| FINISH | | APPLICATION SPEC | - | SIZE |
| 3 material_2 | | WEIGHT | - | A2 |
| 4 finish_spec_2 | | CUSTOMER DRAWING | SCALE 1.000 | CAGE CODE |
| | | SCALE 1.000 | SHEET 2 OF 4 | 11139 |
| | | RESTRICTED TO | | DRAWING NO |
| | | | | C=CFX20x1108xxx |
| | | | | REV B1 |

THIS DRAWING IS UNPUBLISHED. RELEASED FOR PUBLICATION 20
 © COPYRIGHT 20 ALL RIGHTS RESERVED.

PROPERTY OF THE TE CONNECTIVITY
 THIS INFORMATION IS CONFIDENTIAL AND PROPERTY TO TYCO ELECTRONICS CORPORATION
 AND ITS WORLDWIDE SUBSIDIARIES AND AFFILIATES (TE). IT MAY NOT BE DISCLOSED TO
 ANYONE, OTHER THAN TE PERSONNEL, WITHOUT AUTHORIZATION FROM TE (www.TE.com).

| LOC | | DIST | | REVISIONS | | | |
|-----|-----|-------------|--|-----------|-----|------|--|
| P | LTR | DESCRIPTION | | DATE | DWN | APVD | |
| | - | SEE SHEET 1 | | - | - | - | |
| | | | | | | | |
| | | | | | | | |



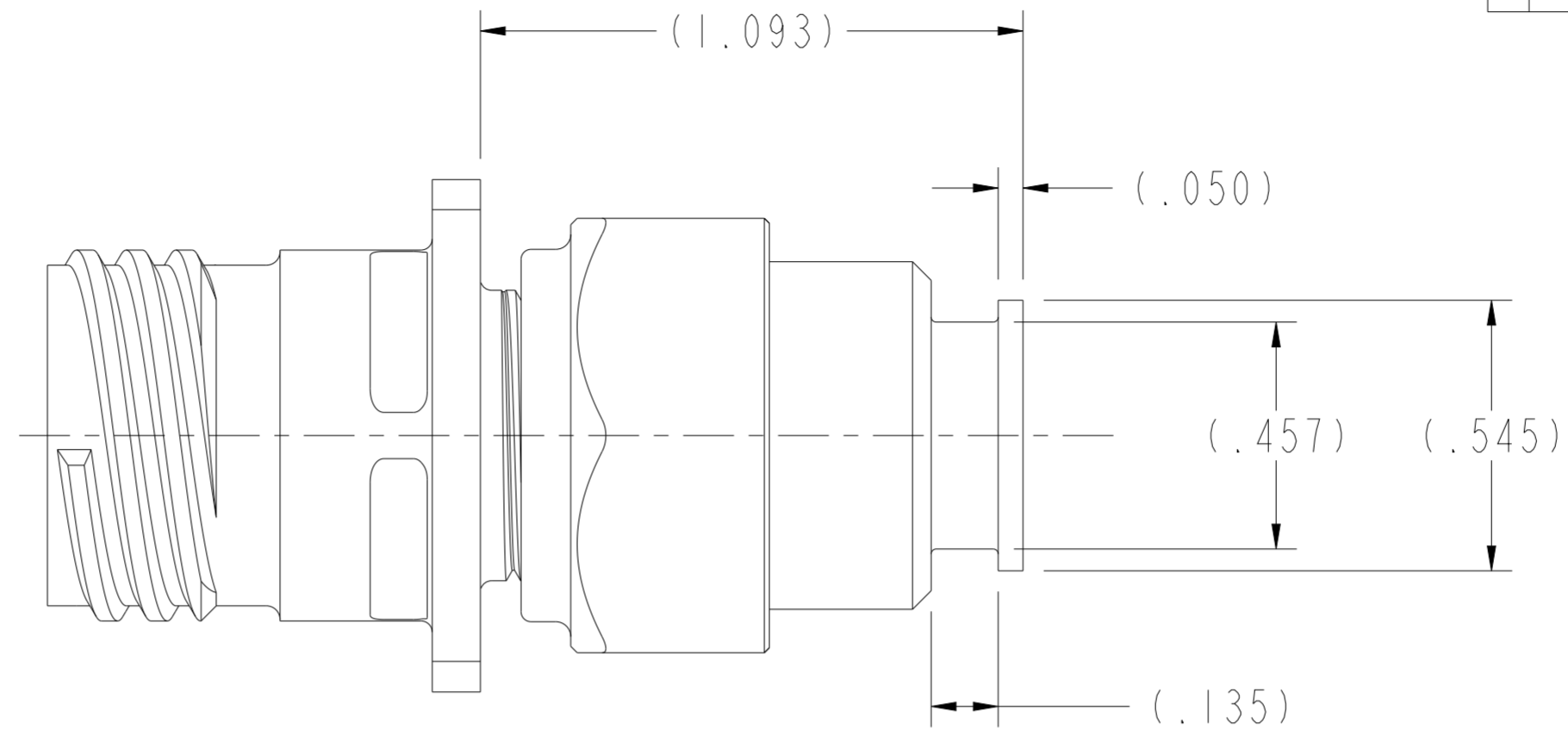
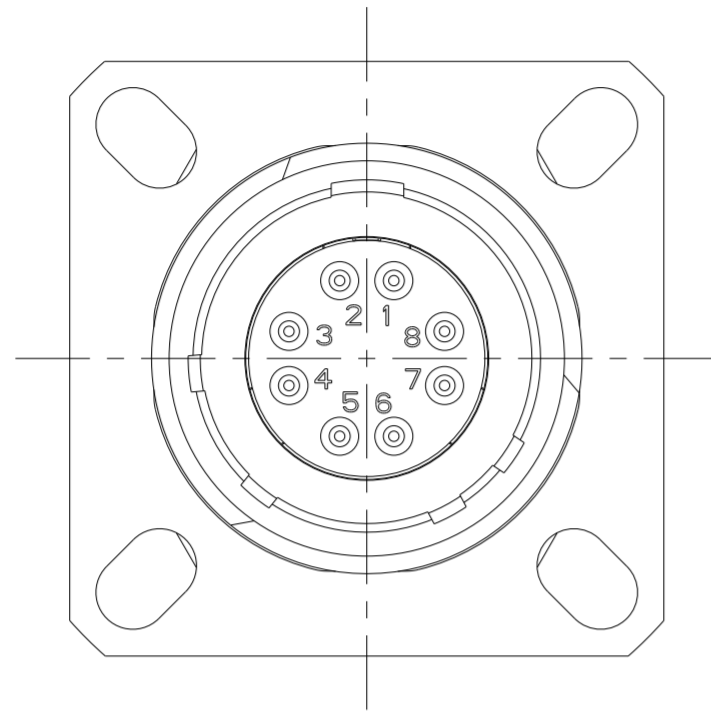
BACK PANEL MOUNTING
 MAX DISTANCE BETWEEN MOUNTING SCREWS

FRONT PANEL MOUNTING
 MAX DISTANCE BETWEEN MOUNTING SCREWS

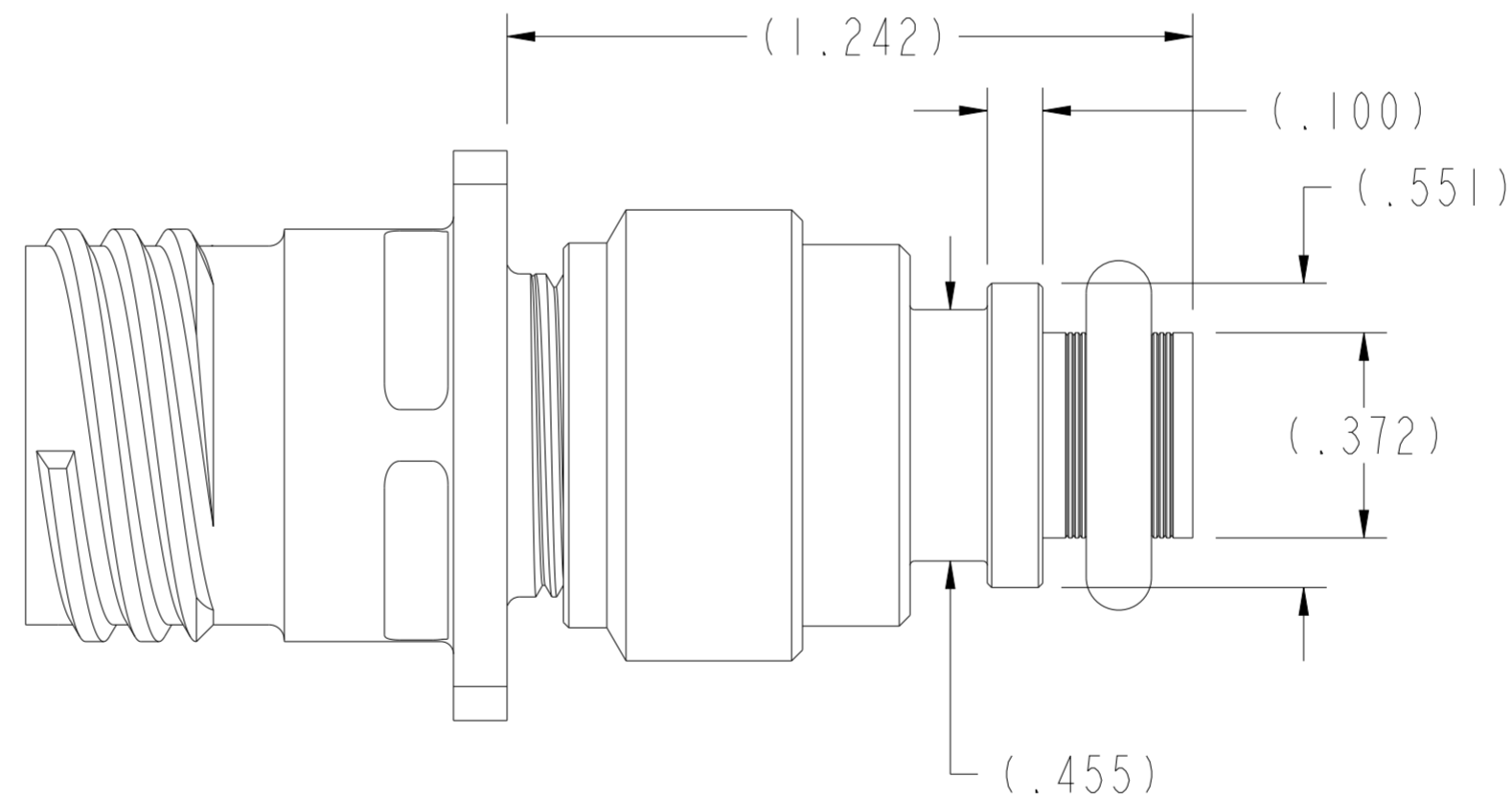
| | | | | | |
|--|--|------------------|--------------|--|--|
| THIS DRAWING IS A CONTROLLED DOCUMENT. | | DWN | 140226 | | STE TE Connectivity |
| | | CHK | JPF 160122 | | |
| DIMENSIONS: INCH | | APVD | AR 160122 | | NAME CONNECTOR, RECEPTACLE SQUARE FLANGE 1108 ARRANGEMENT |
| TOLERANCES UNLESS OTHERWISE SPECIFIED: 0 PLC ±.1 1 PLC ±0.1 2 PLC ±0.01 3 PLC ±0.005 4 PLC ±0.0005 ANGLES ±0.5 | | PRODUCT SPEC | - | | |
| MATERIAL mater_mat_2 | | APPLICATION SPEC | - | | SIZE A2 |
| FINISH finish_spec_2 | | WEIGHT | - | | CAGE CODE 11139 |
| | | CUSTOMER DRAWING | SCALE 1.000 | | DRAWING NO C-CFX20x1108xxx |
| | | | SHEET 3 OF 4 | | RESTRICTED TO - |
| | | | REV B1 | | |

THIS DRAWING IS UNPUBLISHED. RELEASED FOR PUBLICATION 20
 © COPYRIGHT 20 ALL RIGHTS RESERVED.


| REVISIONS | | | | |
|-----------|-----|-------------|------|------|
| P | LTR | DESCRIPTION | DATE | APVD |
| - | | SEE SHEET 1 | - | - |
| | | | | |
| | | | | |
| | | | | |



RECEPTACLE WITH 1077 MOD: BACKSHELL LESS GROMMET



RECEPTACLE WITH M004 MOD: TINEL LOCK BACKSHELL

| | | | | | |
|---|------------|------------------|-----|--|---|
| THIS DRAWING IS A CONTROLLED DOCUMENT. | | DWN | JPF | 140226 |  TE Connectivity |
| DIMENSIONS: INCH | | CHK | JPF | 160122 | |
| TOLERANCES UNLESS OTHERWISE SPECIFIED: | | APVD | AR | 160122 | |
| 0 PLC ±1 1 PLC ±0.1 2 PLC ±0.01 3 PLC ±0.005 4 PLC ±0.0005 ANGLES ±0.5 FINISH - | | PRODUCT SPEC | | NAME | |
| MATERIAL | material_2 | APPLICATION SPEC | | CONNECTOR, RECEPTACLE SQUARE FLANGE 1108 ARRANGEMENT | |
| CUSTOMER DRAWING | | WEIGHT | - | | SIZE |
| SCALE 3.000 | | SHEET 4 OF 4 | | REV B1 | |