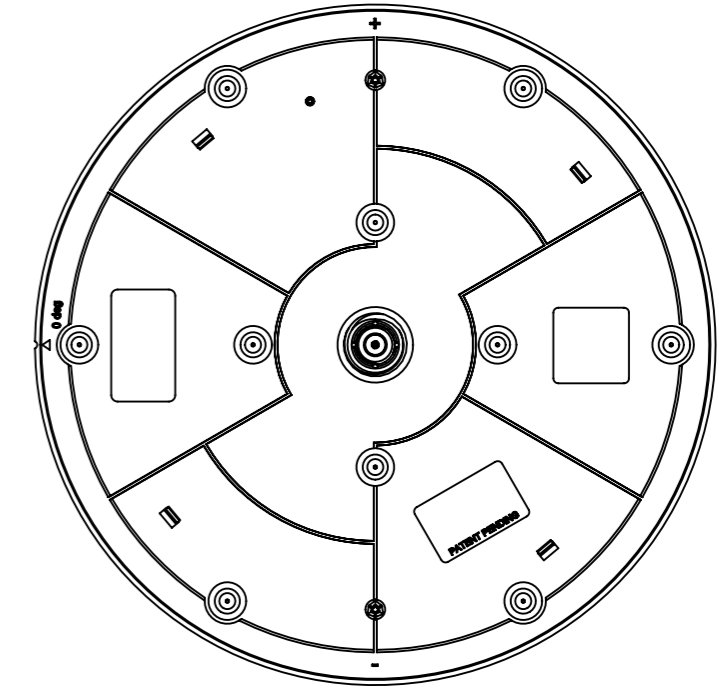
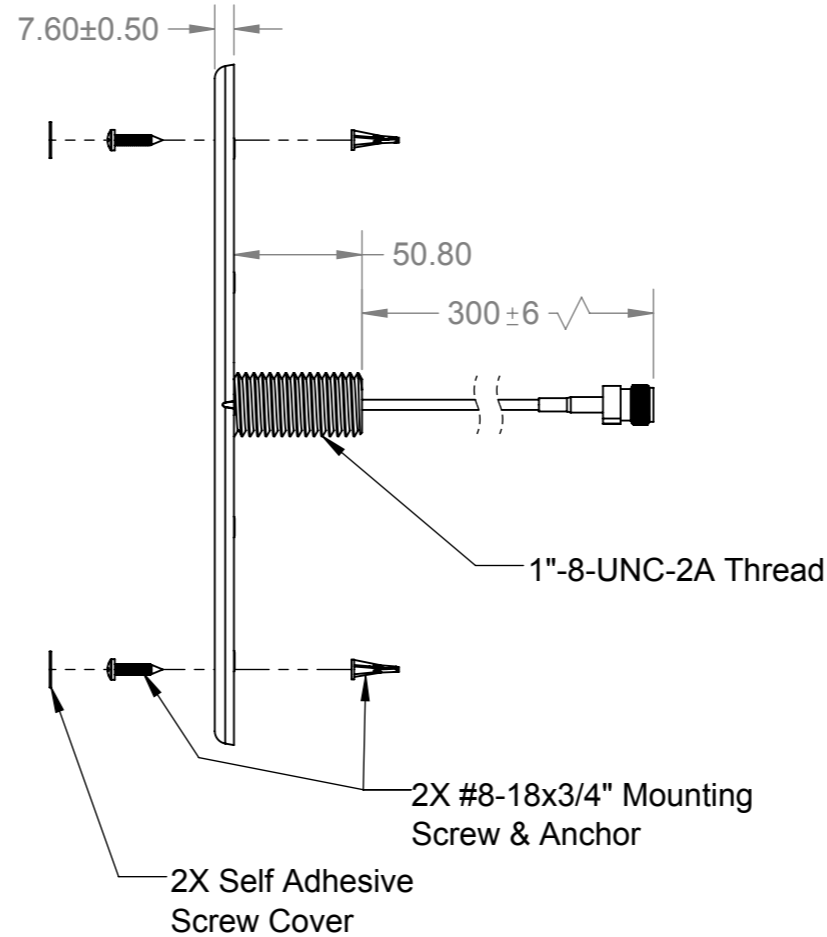
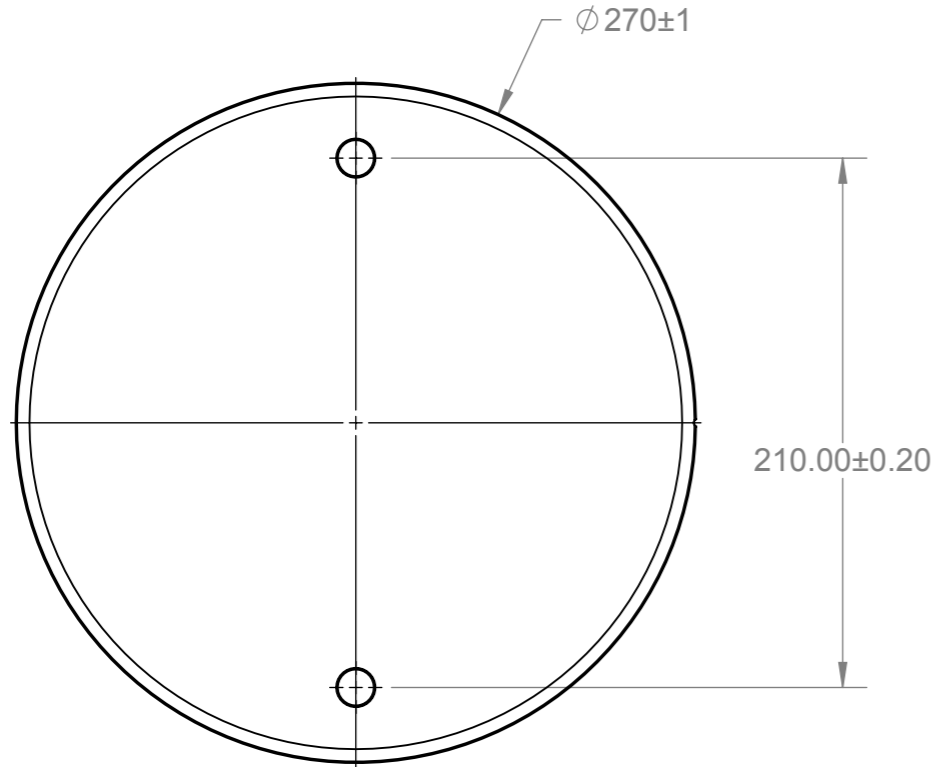


THIS DRAWING IS UNPUBLISHED. RELEASED FOR PUBLICATION - . - .
 © Copyright 2022 TE Connectivity Ltd. ALL RIGHTS RESERVED.

REVISIONS					
REV.	ECN#	ZONE	DESCRIPTION	CHANGED BY/DATE	APPROVED BY/DATE
F01	ECO-18-00458		PRODUCTION RELEASE	WT NG 26OCT18	WT NG 26OCT18
F02	ECO-18-00519		CORRECTION: HORIZONTAL POLARIZATION WAS VERTICAL	WT NG 06DEC18	WT NG 06DEC18



PARAMETER	SPECIFICATION												
Part No	CFSA35606P1-30NF, CFSA35606P1-30D43F, CFSA35606P1-B30NF, CFSA35606P1-B30D3F												
Frequency Bands, MHz	350-380	380-520	600-698	698-806	806-894	880-960	1350-1550	1690-1880	1850-1990	1910-2180	2300-2700	3300-4200	4900-5925
Peak Gain, dBi (Max)	4.5	4.4	3.7	4.0	4.2	4.6	5.6	5.4	4.1	5.0	5.7	6.8	7.3
VSWR, Max	2.5:1		2.0:1										
PIM, 3rd Order, 2 x 20W (Max)	-150		-150				-150						
Nominal Impedance	50Ω												
Polarization	Horizontal												
Azimuth Beam Width	360°, Omnidirectional												
Max Power (Ambient 25°C/77°F)	50 Watts												
Cable Length/Connector	30 cm (12") Type N- female / 4.3-10 Female												
Antenna Dimension (Ht x Dia)	7.6 x 270 mm												
Weight	0.46 kg (1.01 lbs)												
Antenna Color	White												
Radome	PC, UV Stable, UL94-V0 Material												
Operating Temperature	-30°C to +70°C												
Storage Temperature	-40°C to +85°C												
RoHS Compliance	YES												

* The PIM performance is 100% tested at 3 frequency ranges in Production.

F02

MATERIAL:		THIRD ANGLE PROJECTION
FINISH:		DO NOT SCALE DRAWING
APPROVALS		DATE
DRAWN BY	WT NG	08AUG18
ELEC. ENG.	KJ NG	08AUG18
MECH. ENG.	WT NG	08AUG18
MFG./OPS.	HE KHOR	08AUG18

INTERPRET DIMENSIONING AND TOLERANCING IN ACCORDANCE WITH ASME Y14.5M-2009

TOLERANCES UNLESS OTHERWISE SPECIFIED

DIMENSIONS ARE IN MILLIMETERS

ANGLE: ±30'
 0 PLACE DECIMAL: ±0.5
 1 PLACE DECIMAL: ±0.25
 2 PLACE DECIMAL: ±0.13

SURFACE ROUGHNESS 1.6

TE
connectivity

TITLE: **CFSA35606P1, 30CM**

SIZE: **A3** DWG. NO.: **CFSA35606P1-x30xxMO** REV: **F02**

SCALE: 1:3 PREVIOUS# SHEET 1 OF 1