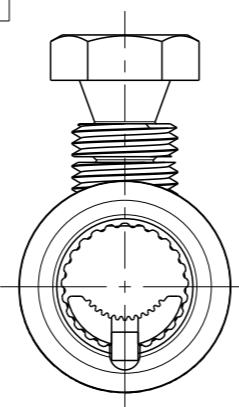
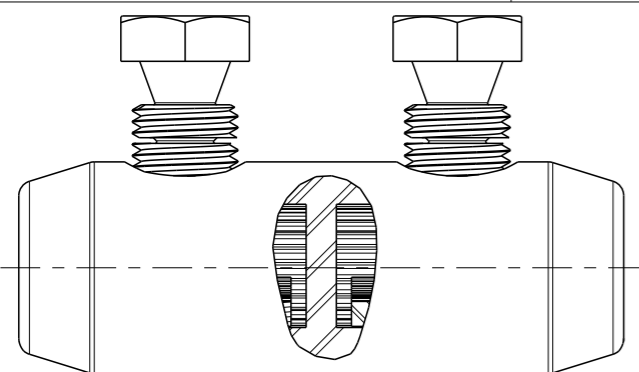


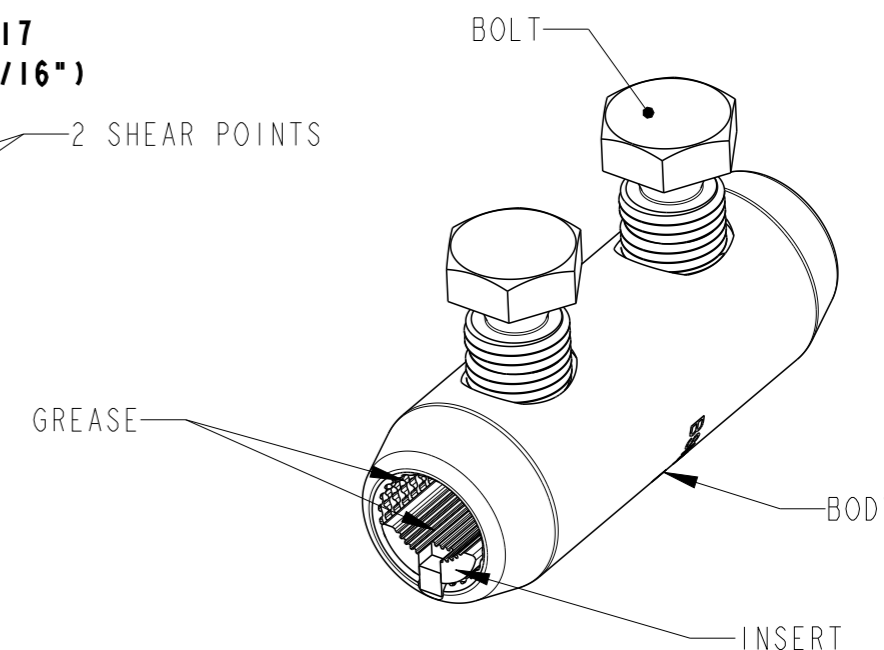
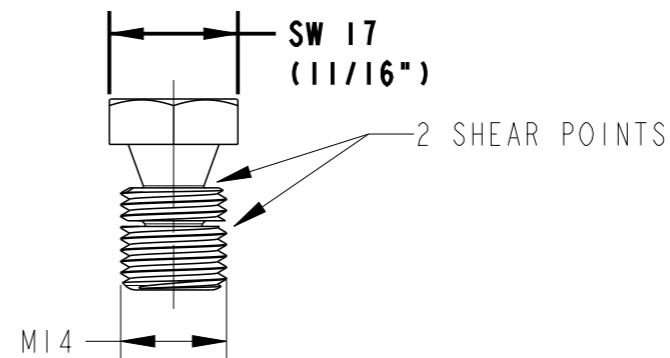
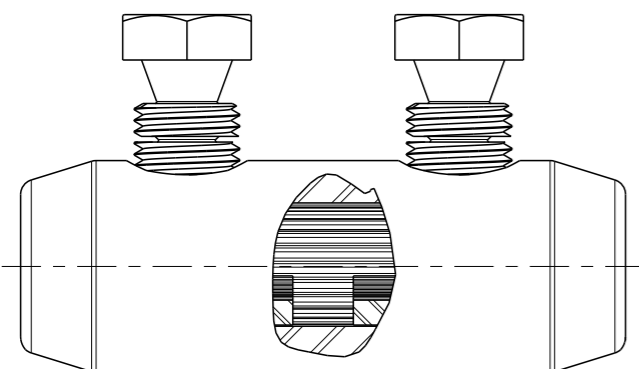
REVISIONS

P	LTR REV	DESCRIPTION MODIFICATIONS	DATE	DWN DESS.	APVD APP.
	0	CREATION	09JUN2004	NA	AD
	A	CHAMFER UPDATE	09JUL2004	NA	AD
	B	UPDATE TABLE WITH CU FLEX CABLE	20JUN2019	BM	NA

BSMB-35/150	E05256N001	BLOCKED
DESCRIPTION	TCPN	TYPE



BSMU-35/150	A84872N001	UNBLOCKED
DESCRIPTION	TCPN	TYPE



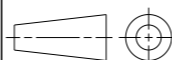
		AL				CU			
		RM ROUND STRANDED	RE ROUND SOLID	SM SECTOR STRANDED	SM SECTOR SOLID	RM ROUND STRANDED	RE ROUND SOLID	SM SECTOR STRANDED	ROUND FLEXIBLE
CONDUCTOR CROSS-SECTION QUERSCHNITTSBEREICH	mm ²	35 - 150	35 - 150	50 - 95 (120-150 with rounding)	50 - 120	35 - 150	35 - 50	50 - 95	50-70
	II	#2 compact to 250 kcmil standard				#2 compact to 250 kcmil standard			
CONDUCTOR DIAMETER LEITERDURCHMESSER	mm ²	∅6.8 - ∅15	∅6.5 - ∅14	-	-	∅6.6 - ∅15	∅6.5 - ∅8	-	∅9 - ∅13.1
	II	.262" to .575"				.262" to .575"			

TOLERANCES UNLESS OTHERWISE SPECIFIED TOLERANCES NON SPECIFIEES: -

THIS DRAWING IS A CONTROLLED DOCUMENT. CE PLAN EST UN DOCUMENT CONTROLE PAR TYCO ELECTRONICS CORPORATION IL EST SUSCEPTIBLE D'ETRE REVISE. CONTACTER LE SERVICE TECHNIQUE POUR OBTENIR LA DERNIERE REVISION.

DIMENSIONS:

mm



TOLERANCES UNLESS OTHERWISE SPECIFIED (SUIV NB DE DECIMALES):

0 PLC/DEC: ±0
 1 PLC/DEC: ±0
 2 PLC/DEC: ±0
 3 PLC/DEC: ±0
 4 PLC/DEC: ±0
 ANGLES ±

MATERIAL MATIERE AL ALLOY

FINISH FINITION TINNED

DWN/DESSINE 09JUN2004

N. ALMEIDA

CHK/VERIFIE -

R. BUTHIOT

APVD/APPROUVE -

A. DUPONT

PRODUCT SPEC SPEC. PRODUIT -

APPLICATION SPEC SPEC. APPLICATION -

WEIGHT MASSE APPROX. 100 g



NAME TITRE BSMU-35/150 BSMB-35/150

SIZE FORMAT A3
 CAGE CODE 00779
 DRAWING NO No PLAN C=1756559

RESTRICTED TO RESERVE A -

CUSTOMER DRAWING /PLAN CLIENT UNIQUEMENT POUR REFERENCE SCALE ECHELLE 2:1 SHEET FEUILLE 1 OF DE 1 REV B