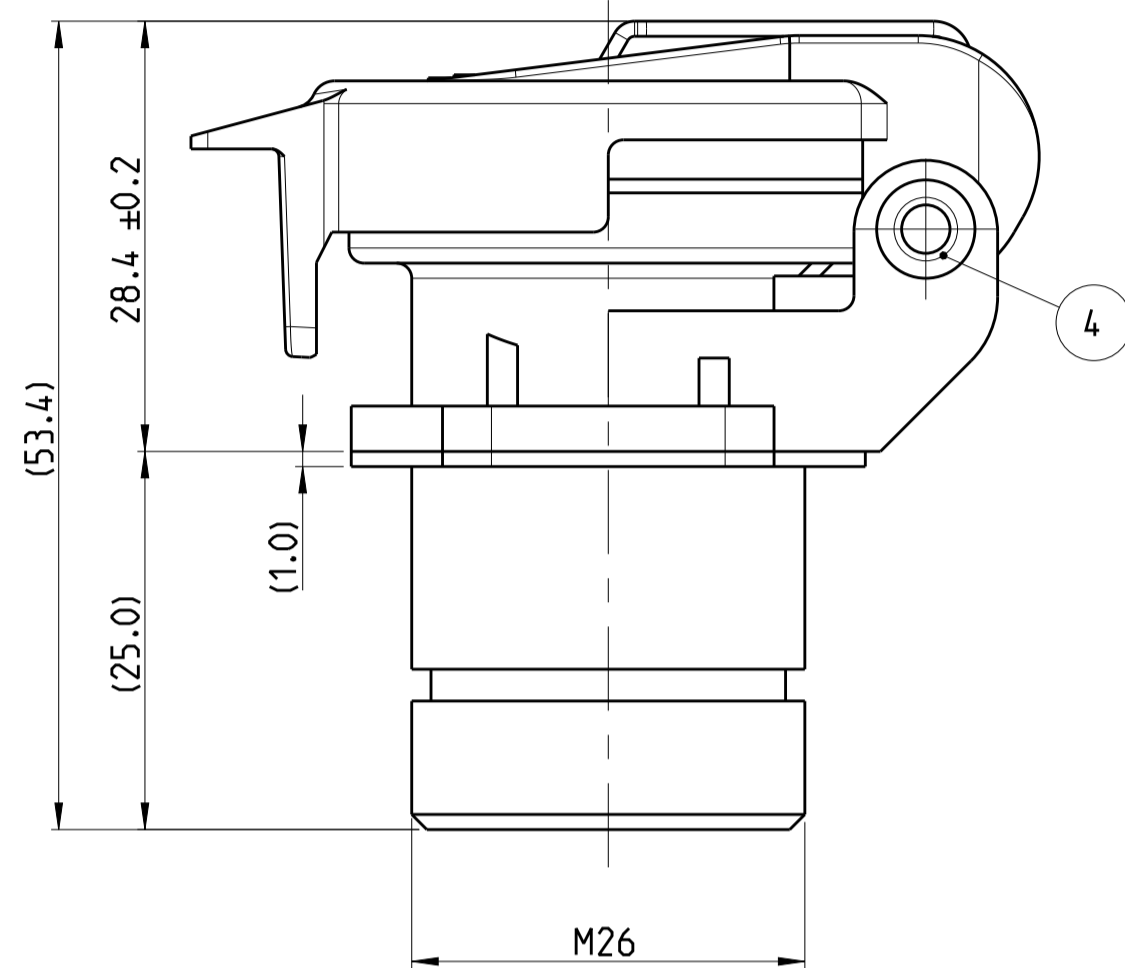
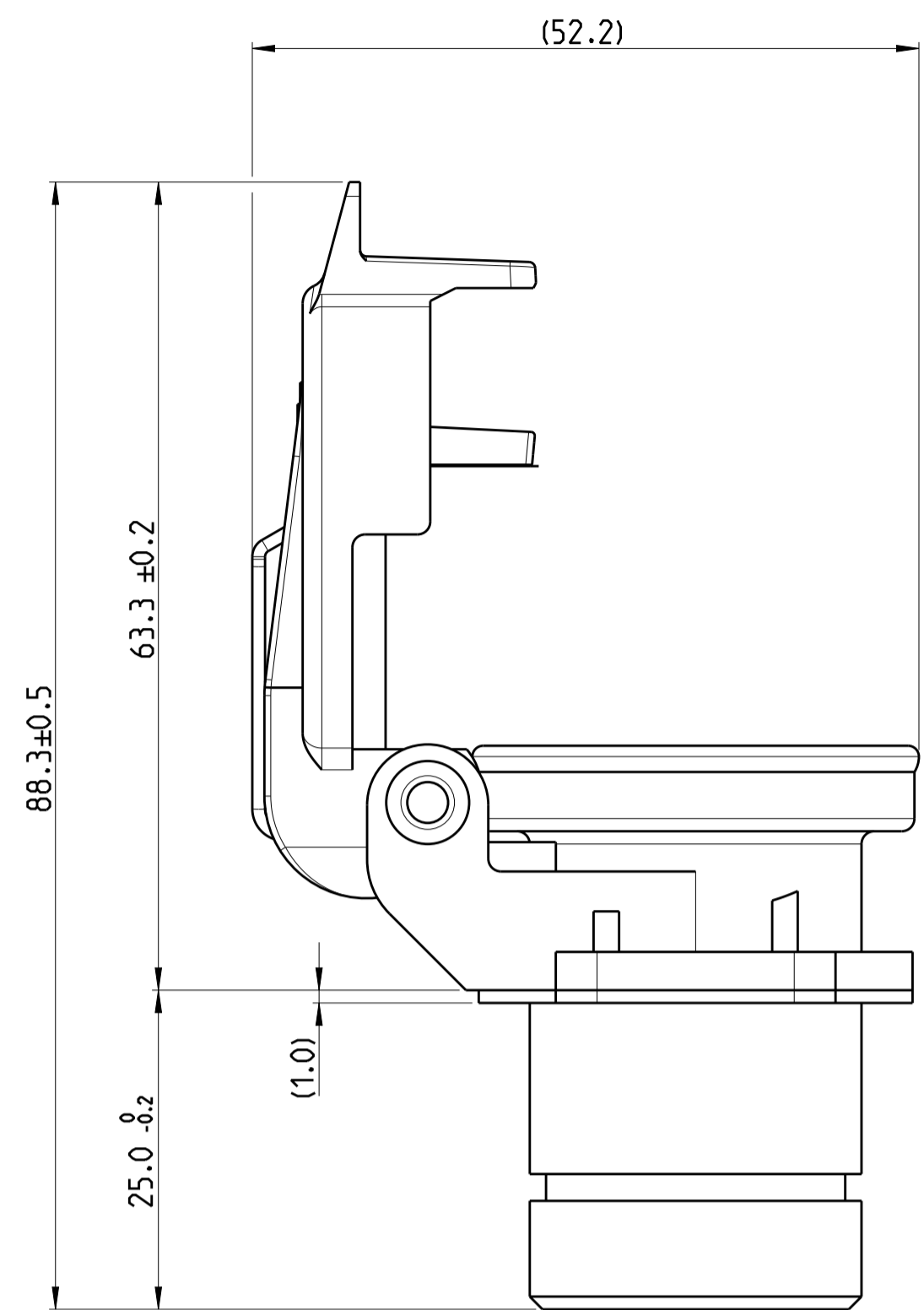
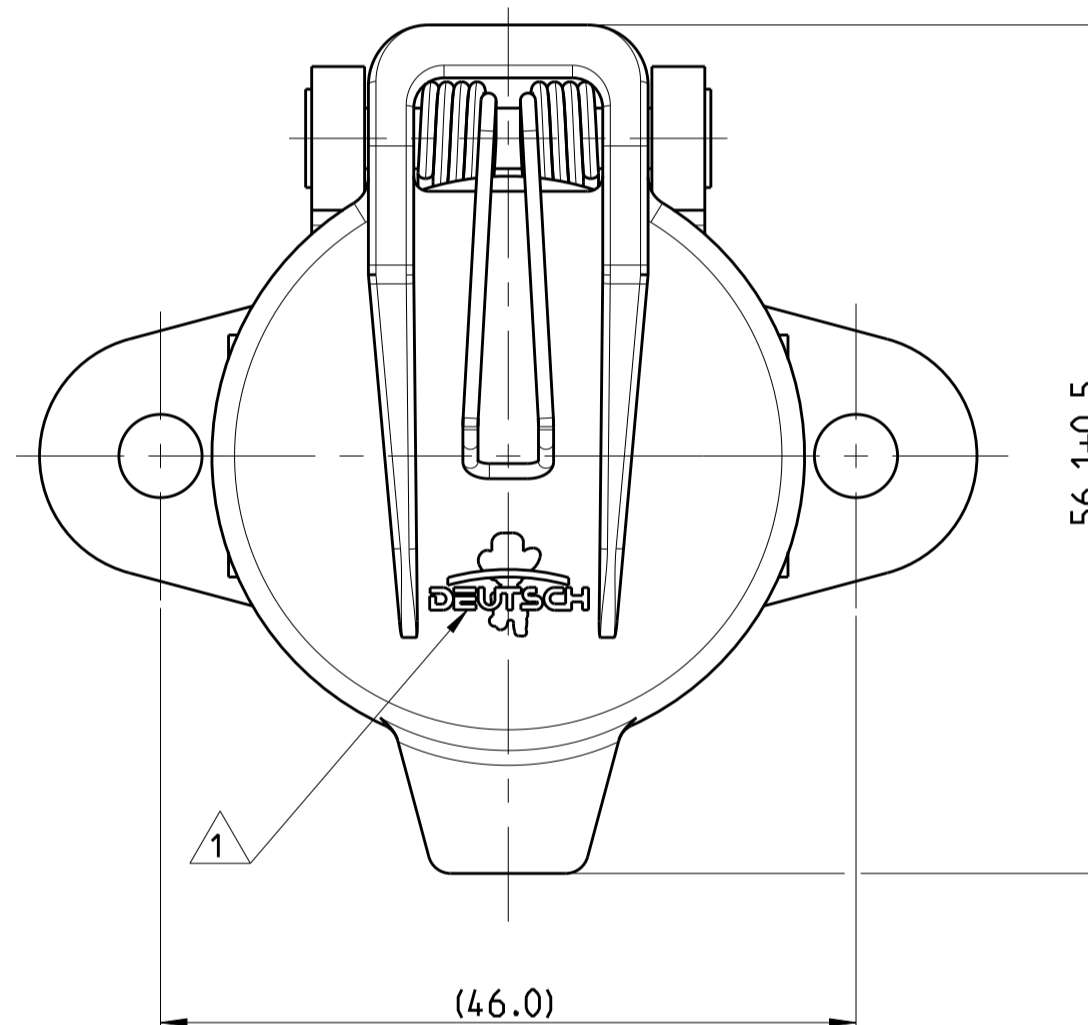
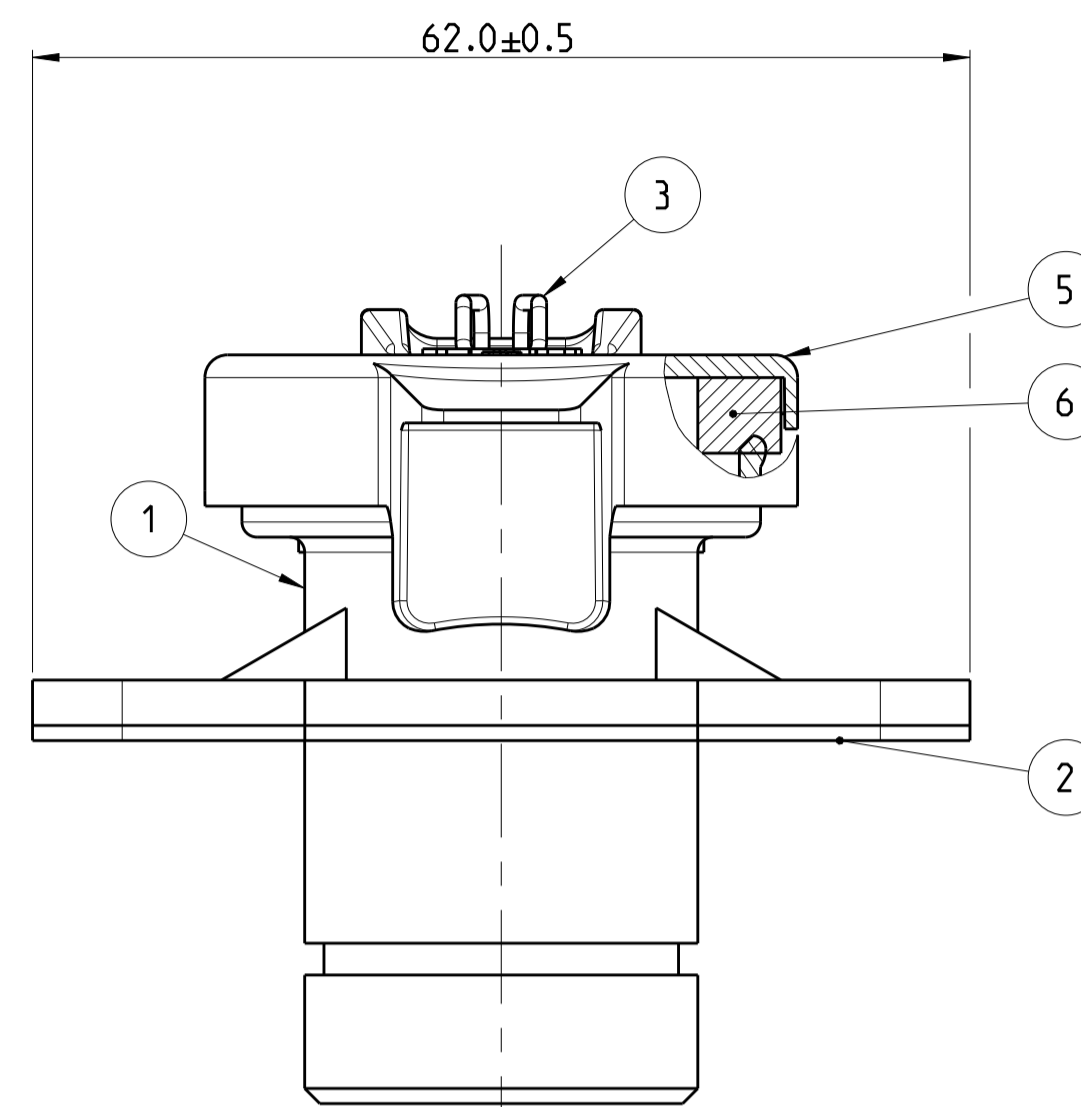


OPEN CONDITION:
Geöffnet:



SECTION A-A
Schnitt

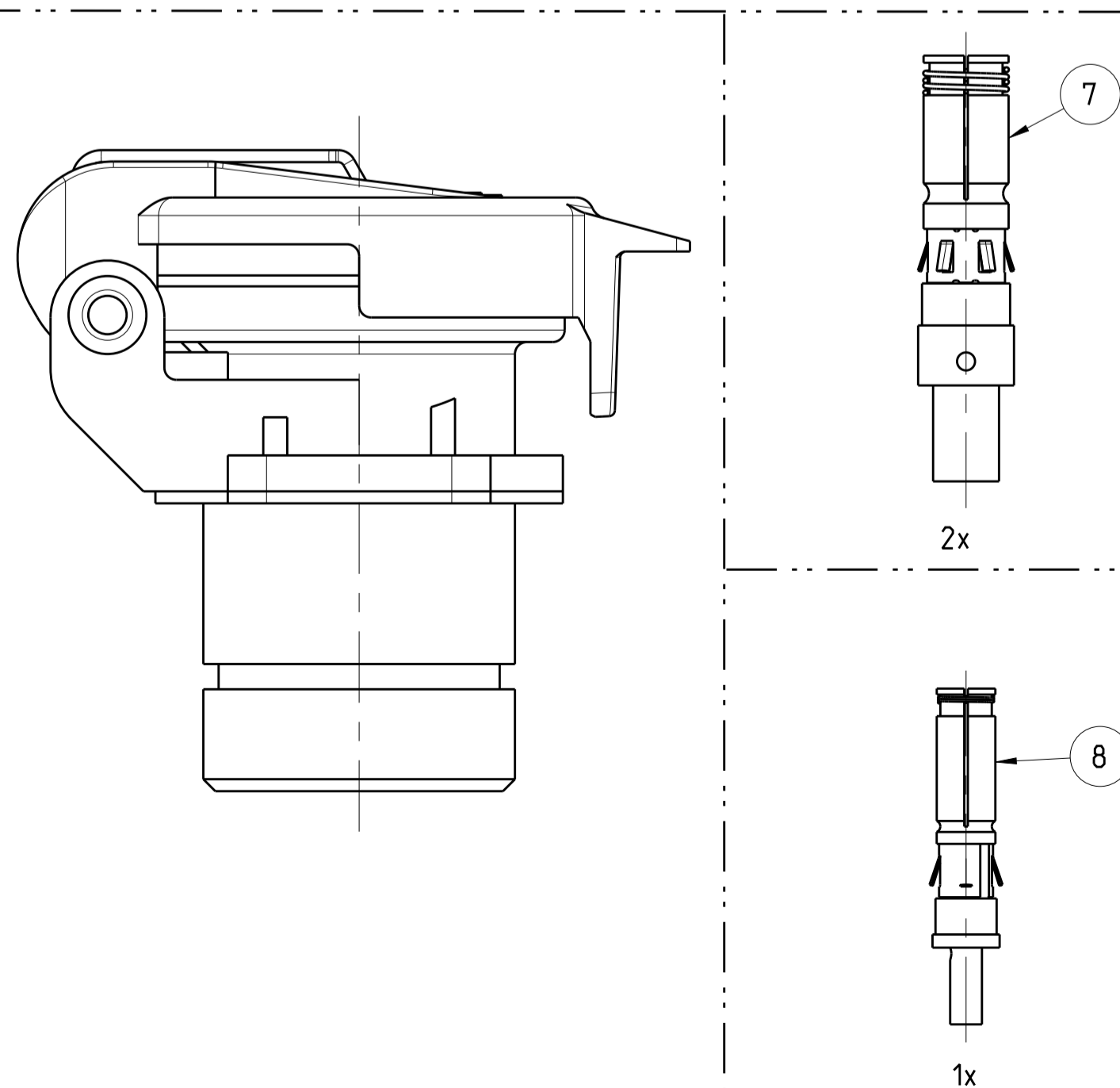


REVISIONS				
P	LTR	DESCRIPTION	DATE	APPD
A		NEW DRAWING	08SEP2015	CS CE
B		COVER DESIGN MODIFICATION	22JUN2016	PV CF
C		REVISED PER PCN: E-17-004350	28MAR2017	CM GCR
C1		PRODUCT SPECIFICATION ADDED	02JAN2019	SS GCR

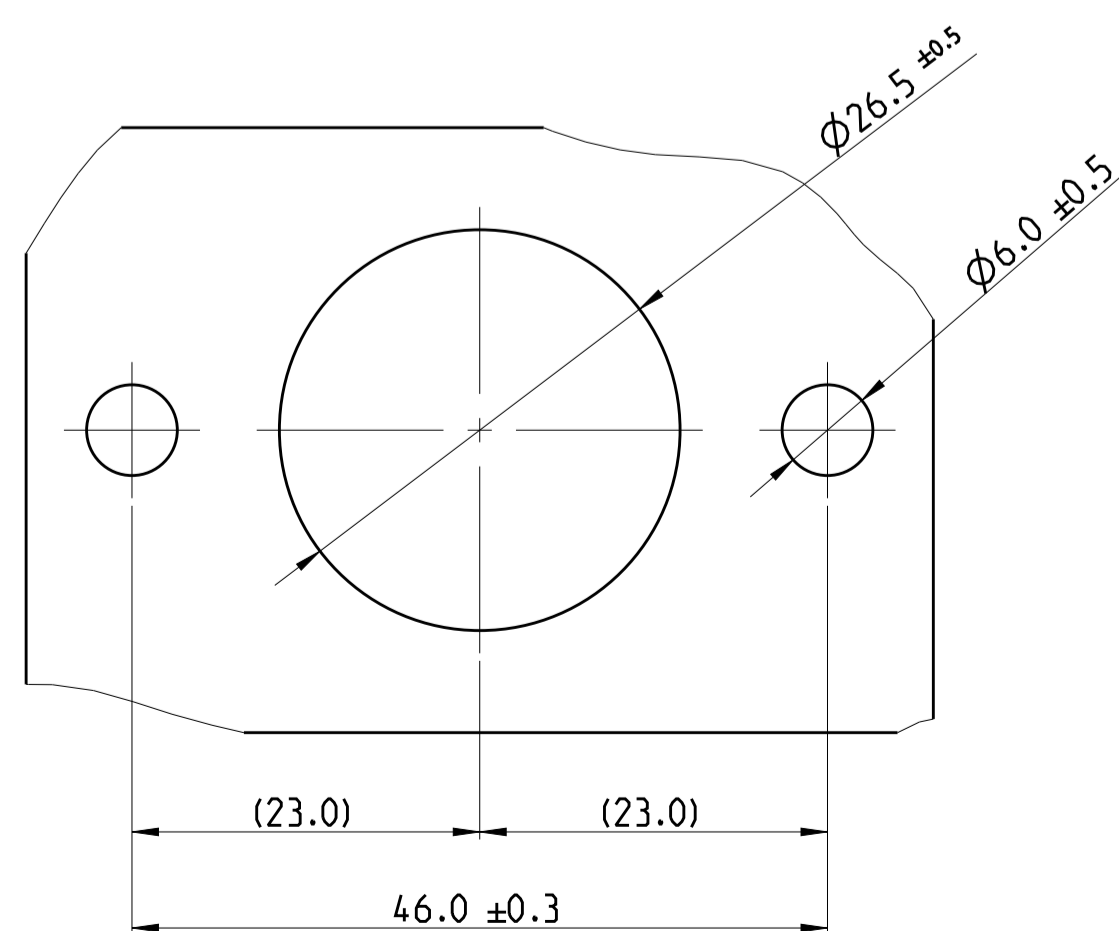
NOTES
Bemerkungen

- DEUTSCH LOGO.
Deutsch Logo
- DELIVERY CONDITION WITH SOCKET CONTACTS.
2x DARS24263-000A3(6 mm²)
1x DARS24265-000A3(1.5 mm²)
Lieferzustand mit Buchsenkontakte
2x DARS24263-000A3(6 mm²)
1x DARS24265-000A3(1.5 mm²)
- ALL SYMMETRIC DIMENSIONS $\frac{\text{---}}{\text{---}} 0.1$
Alle Symmetriemaße
- SUITABLE COUNTERPART SEE DRAWING: CAR3PCXX
Passender Gegenstecker siehe Zeichnung: CAR3PCXX
- MALFUNCTION CAUSED BY LACQUER IS NOT COVERED BY TE CONNECTIVITY WARRANTY
Funktionsbeeinträchtigung durch Lackieren liegt nicht im Einfluss und Gewährleistungsumfang von TE connectivity.
- FOR 3D MODEL (CUSTOMER VIEW MODEL) PLEASE REFER TO CAR3SC00WS (RECEPTACLE) AND DARS24263-000A3 (6mm² SOCKET) & DARS24265-000A3 (1.5mm² SOCKET)
Für 3D Modell (Customer View Model) siehe CAR3SC00WS (Steckdose) und DARS24263-000A3 (Buchsenkontakt 6mm²) & DARS24265-000A3 (Buchsenkontakt 1.5mm²).

2 DELIVERY CONDITION:
Lieferzustand:



RECOMENDED PANEL CUTOUT



ITEM NO	DESCRIPTION	COLOUR	MATERIAL
1	3 WAY RECEPTACLE HOUSING	BLACK	PA6 GF-15
2	FLANGE SEAL	BLACK	SS 304
3	FRANSDICHTUNG	BLACK	COPPER ALLOY
4	FRANSDICHTUNG	BLACK	PA6 GF-15
5	COVER	BLACK	CuZn35Pb3
6	SOCKET CONTACTS 6mm ²	BLACK	CuZn35Pb3
7	SOCKET CONTACTS 1.5mm ²	BLACK	CuZn35Pb3
8	SOCKET CONTACTS 1.5mm ²	BLACK	CuZn35Pb3

THIS DRAWING IS A CONTROLLED DOCUMENT. DIMENSIONING AND TOLERANCING PER GPS (ISO STANDARDS).		DWG SHIVAKUMAR 03AUG2015 CHK C. FINZER 05AUG2015 APPD F. EBERWEIN 05AUG2015	
DIMENSIONS: mm	TOLERANCES UNLESS OTHERWISE SPECIFIED: ACC. TO ISO 8015	NAME	3POS. RECEPTACLE
		PRODUCT SPEC	3Pos. Steckdose
		APPLICATION SPEC	
		SIZE	A1
		SCALE	5:1
		SHEET	1 OF 1
		REV	C1

