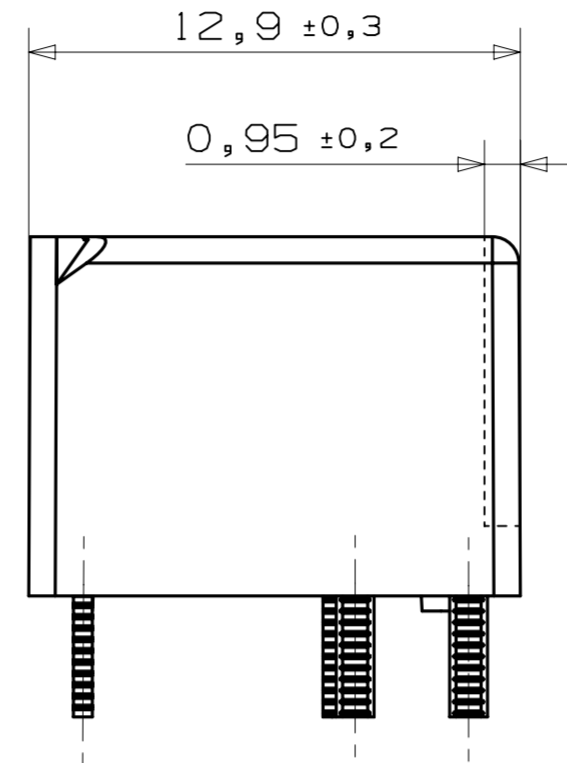
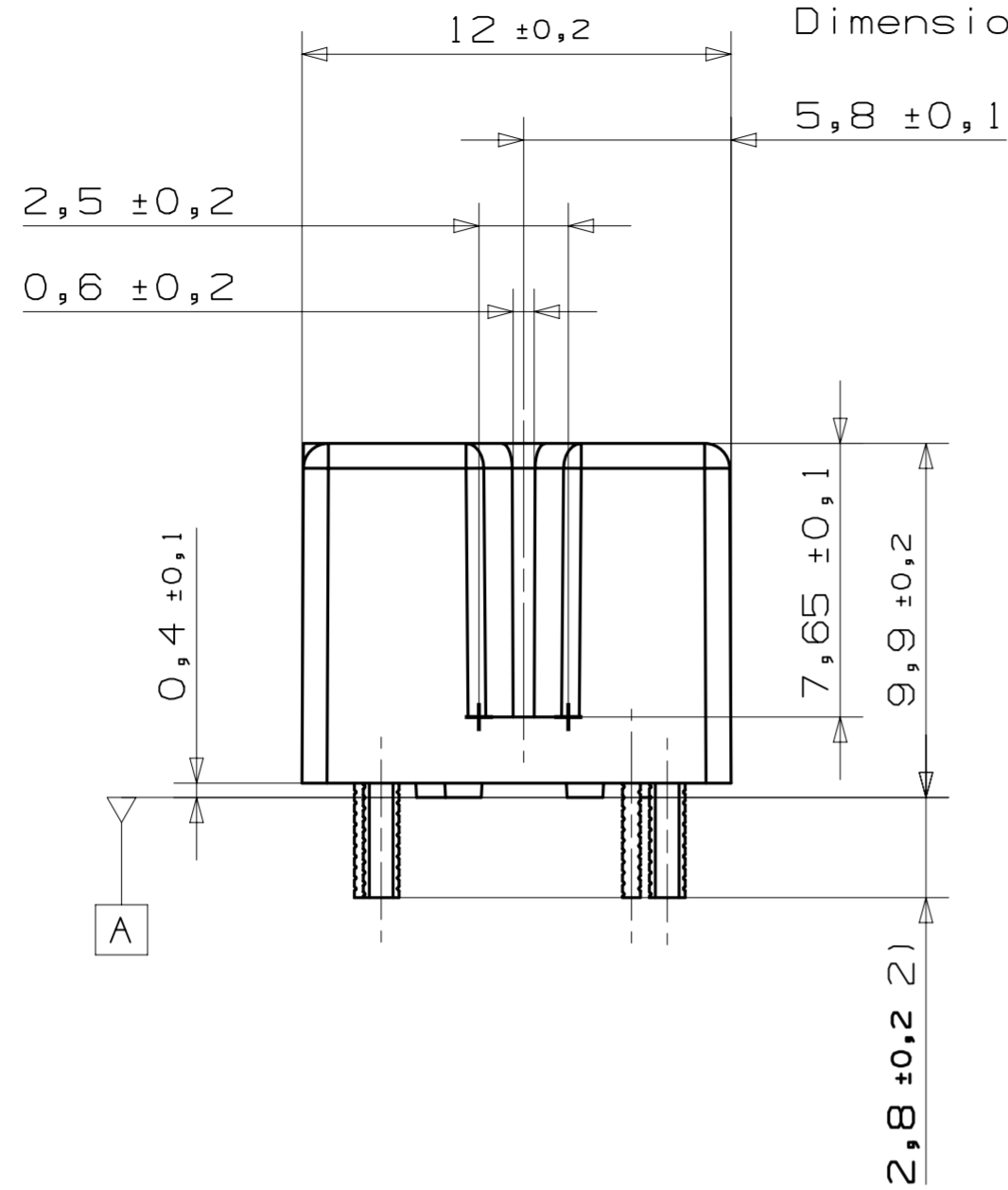
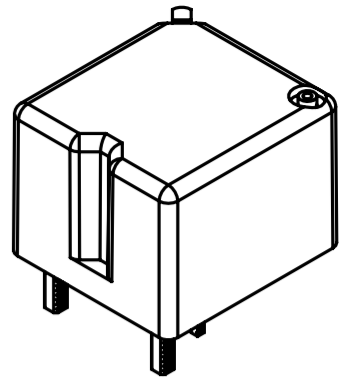
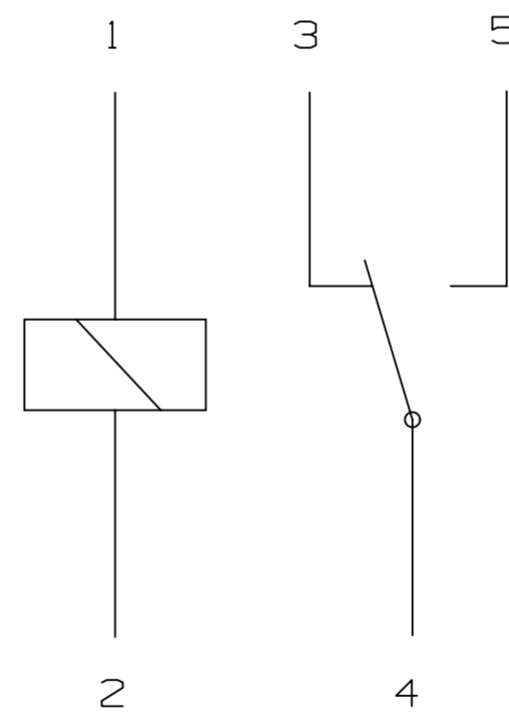
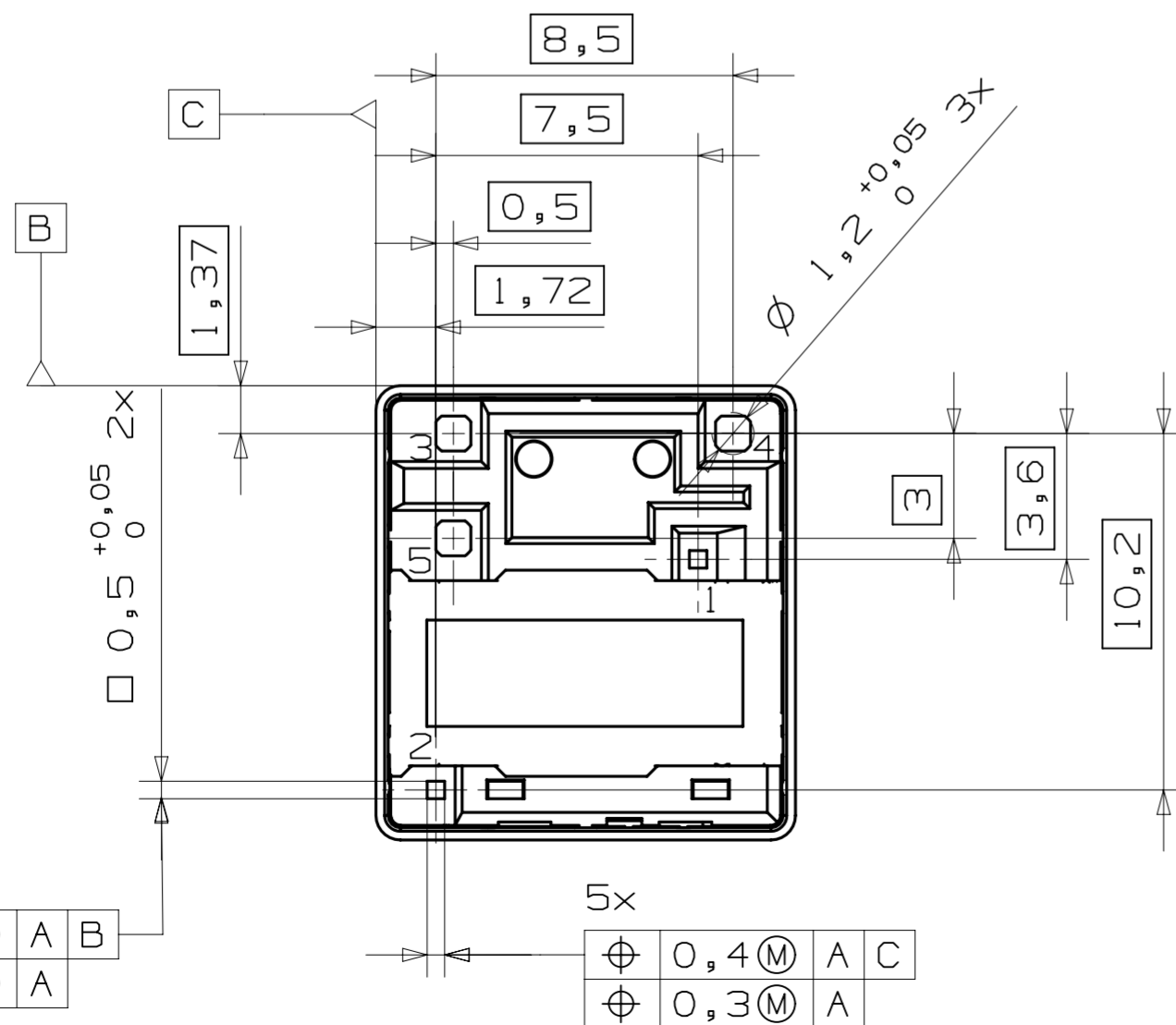


Massbild Wechsler
Dimension drawing changeover-contact



Ansicht auf die Anschluesse
View on the terminals

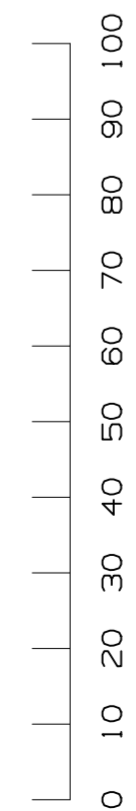
Schaltbild
Circuit diagram



- 1) fuer Ebenheit und Geradheit
ISO 2768 - L
- 2) Pinlaenge ohne Verzinnung
mit Verzinnung max. 3,8mm
- 3) verstaerkte Verpackung

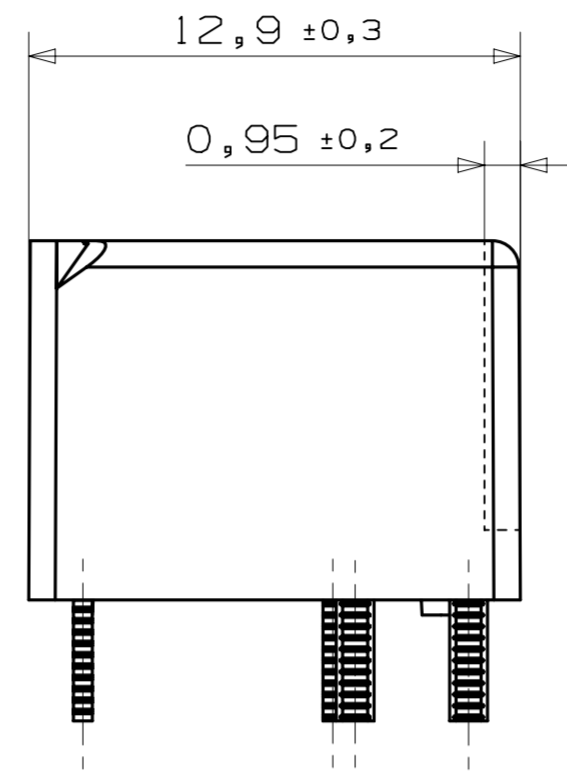
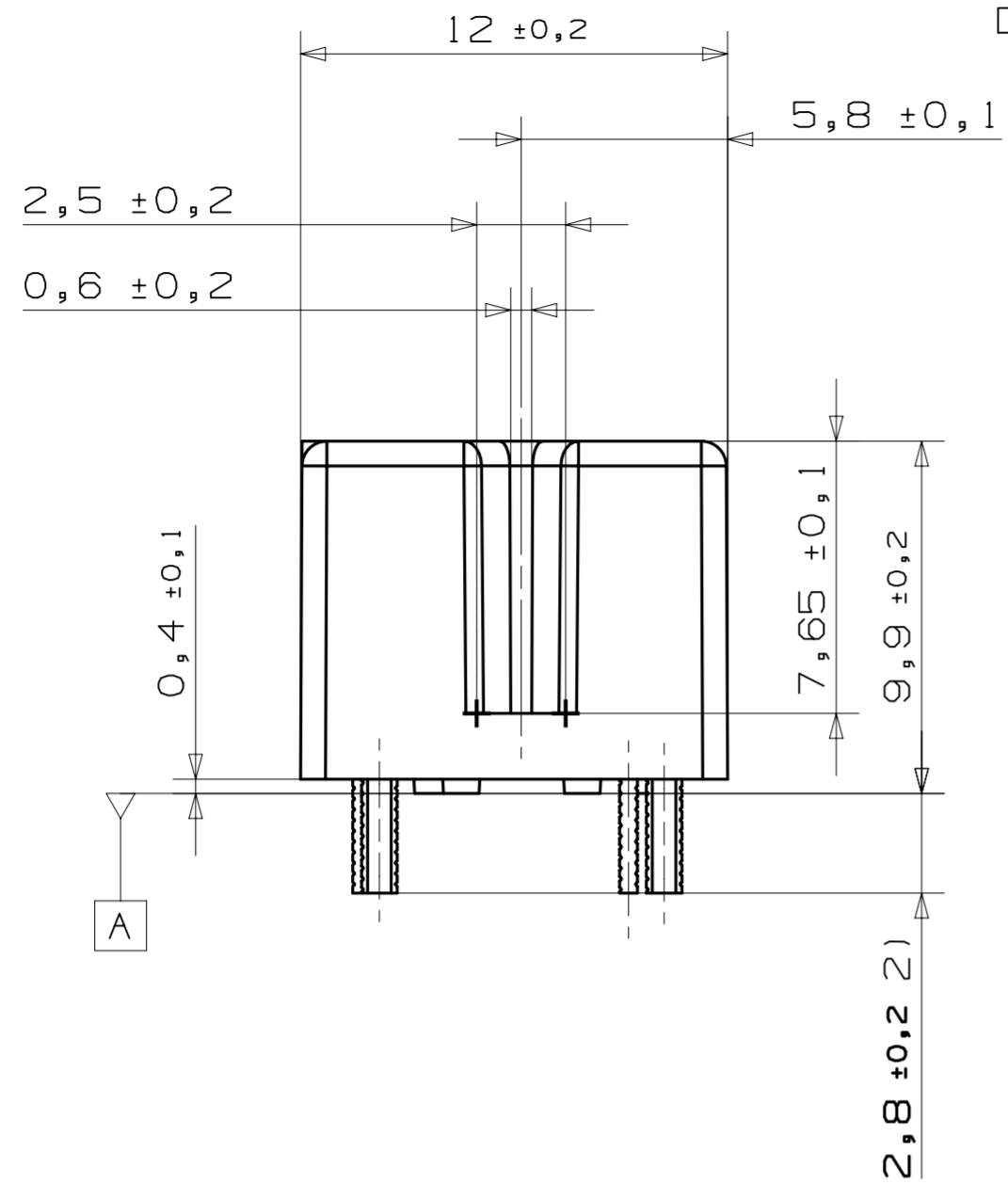
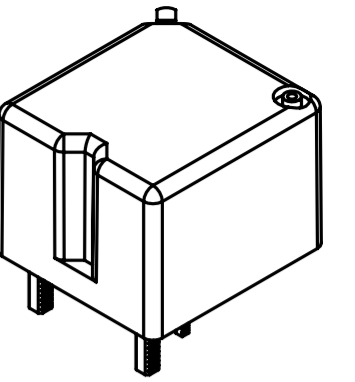
- 1) for flatness and straightness
ISO 2768 - L
- 2) Length of terminal without tin
with tin max. 3,8mm
- 3) Reinforced packaging

1393280-5	V23086C1001A402
2392358-1 3)	
1393280-6	V23086C1001A403
1-1414761-0 3)	
9-1416000-8	V23086C1001A502
9-1416000-0	V23086C1001X008
3-1904077-7	V23086C1001X045
1-1393280-0	V23086C1002A402
1-1393280-1	V23086C1002A403
6-1415005-4 3)	V23086C1002A803
2-1414987-3	
2-1904073-8	V23086C1004A403
8-1416000-7	V23086C1021A502
1-1414760-0 3)	
9-1416000-3	V23086C1021X011
2-1904093-1	V23086C1051A502
1-1393280-3	V23086G1001A403
6-1414892-7	V23086G1501X028
PART NUMBER	DESCRIPTION

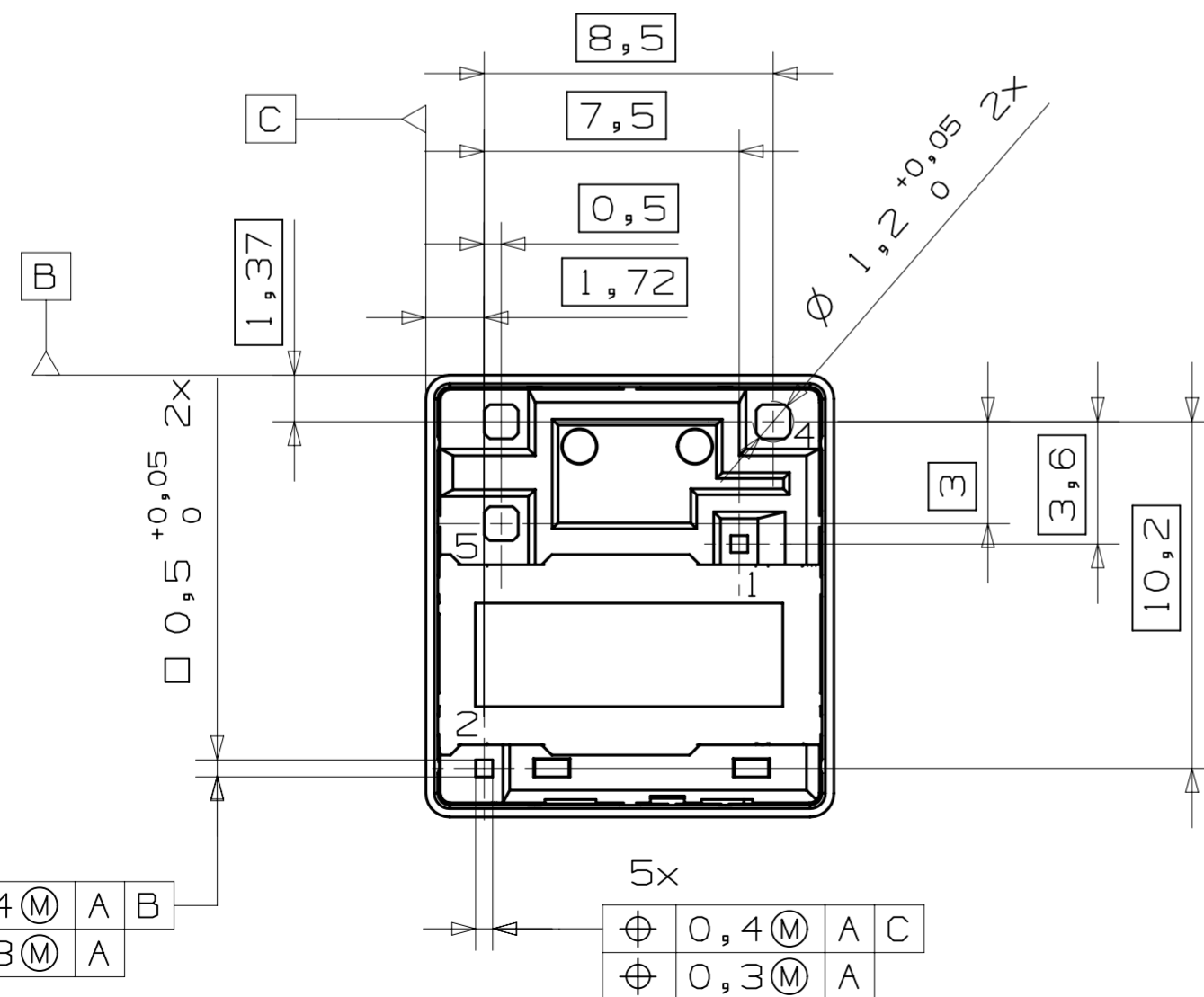


PROPRIETARY THE REPRODUCTION, TRANSMISSION OR USE OF THIS DOCUMENT OR IT'S CONTENTS IS NOT PERMITTED WITHOUT EXPRESSED WRITTEN AUTHORITY. OFFENDERS WILL BE LIABLE FOR ALL DAMAGES. ALL RIGHTS, INCLUDING RIGHTS CREATED BY REGISTERED PATENT(S) GRANTED FOR A UTILITY MODEL OR DESIGN, ARE RESERVED.				CHANGES TO THIS DRAWING MUST BE DONE ONLY IN CAD		PAPER SIZE A2	
APPLICABLE SPEC.:				FINISH			
DIMENSIONS UNLESS SPECIFIED OTHERWISE ISO 2768 mH 1)				DIMENSIONS IN MM		SCALE 5:1	
DATE 97-10-23 NAME Reiss				PLATING		WEIGHT ca. 4g	
LOCATION Bin-P				MATERIAL			
PART NAME				MicroK THT Dimension drawing			
DWG NO. C23303-A0086-A001-CD				SHT. 1 OF 2			
REV. CHANGE ORDER		DATE		APP.			

Massbild Schliesser
Dimension drawing make-contact



Ansicht auf die Anschluesse
View on the terminals



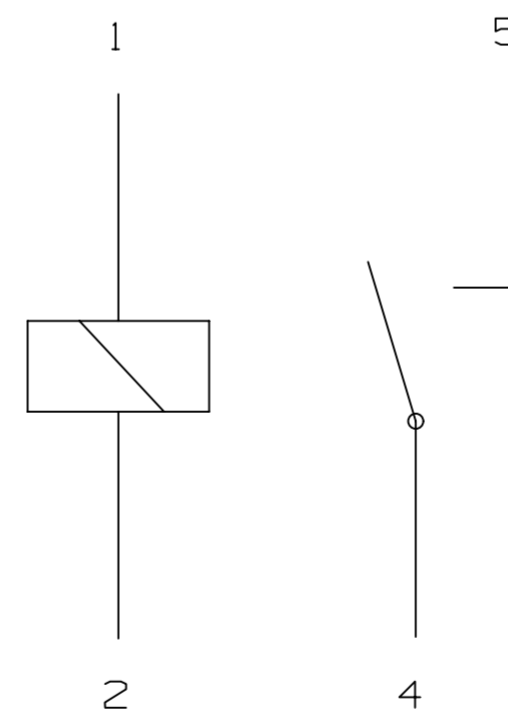
5x

⊕ 0,4 (M)	A	B
⊕ 0,3 (M)	A	

5x

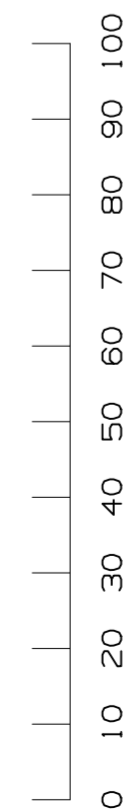
⊕ 0,4 (M)	A	C
⊕ 0,3 (M)	A	

Schaltbild
Circuit diagram



- 1) fuer Ebenheit und Geradheit
ISO 2768 - L
- 2) Pinlaenge ohne Verzinnung
mit Verzinnung max. 3,8mm

- 1) for flatness and straightness
ISO 2768 - L
- 2) Length of terminal without tin
with tin max. 3,8mm



PROPRIETARY THE REPRODUCTION, TRANSMISSION OR USE OF THIS DOCUMENT OR IT'S CONTENTS IS NOT PERMITTED WITHOUT EXPRESSED WRITTEN AUTHORITY. OFFENDERS WILL BE LIABLE FOR ALL DAMAGES. ALL RIGHTS, INCLUDING RIGHTS CREATED BY REGISTERED PATENT(S) GRANTED FOR A UTILITY MODEL OR DESIGN, ARE RESERVED.				CHANGES TO THIS DRAWING MUST BE DONE ONLY IN CAD		PAPER SIZE A2	
APPLICABLE SPEC.:				FINISH			
DIMENSIONS UNLESS SPECIFIED OTHERWISE ISO 2768-f mH 1)				DIMENSIONS IN MM		SCALE 5:1	
TOLERANCE UNLESS SPECIFIED OTHERWISE ISO 2768-f mH 1)				DIMENSIONS IN MM		WEIGHT ca. 4g	
DATE 97-10-23				NAME Reiss			
LOCATION Bin-P				PART NAME MicroK THT Dimension drawing			
REV. CHANGE ORDER				DATE			
DATE				APP.			
B4 ECN-21-127863 23NOV2021 JFai DWN.				B3 ECO-12-017225 26SEP2012 JFai APP.			
B2 ECO-08-027644 2008-11-06 JFai REV.				B1 ECO-07-012552 2007-05-29 JFai			
B ECO-06-028631 2006-12-07 ASCH				A Migration 2006-06-30 ASCH			
04 WE06/A177 2006-06-28 ASCH				STE connectivity			
DWG NO.				C23303-A0086-A001-CD			
SHT.				2			
OF 2				OF 2			