

THIS DRAWING IS UNPUBLISHED. RELEASED FOR PUBLICATION
 © COPYRIGHT - TE Connectivity Ltd. ALL RIGHTS RESERVED.

REVISIONS				
P	LTR	DESCRIPTION	DATE	APVD
	A	INITIAL DRAWING	13AUG2019	VM TN

Ordering Information

Sample Part Number ▶ **WUV -1 -120**

Type:
 WUV - Undervoltage
 WOV - Overvoltage

No. Phases
 1 = Single
 3 = Three

Line Voltage VAC

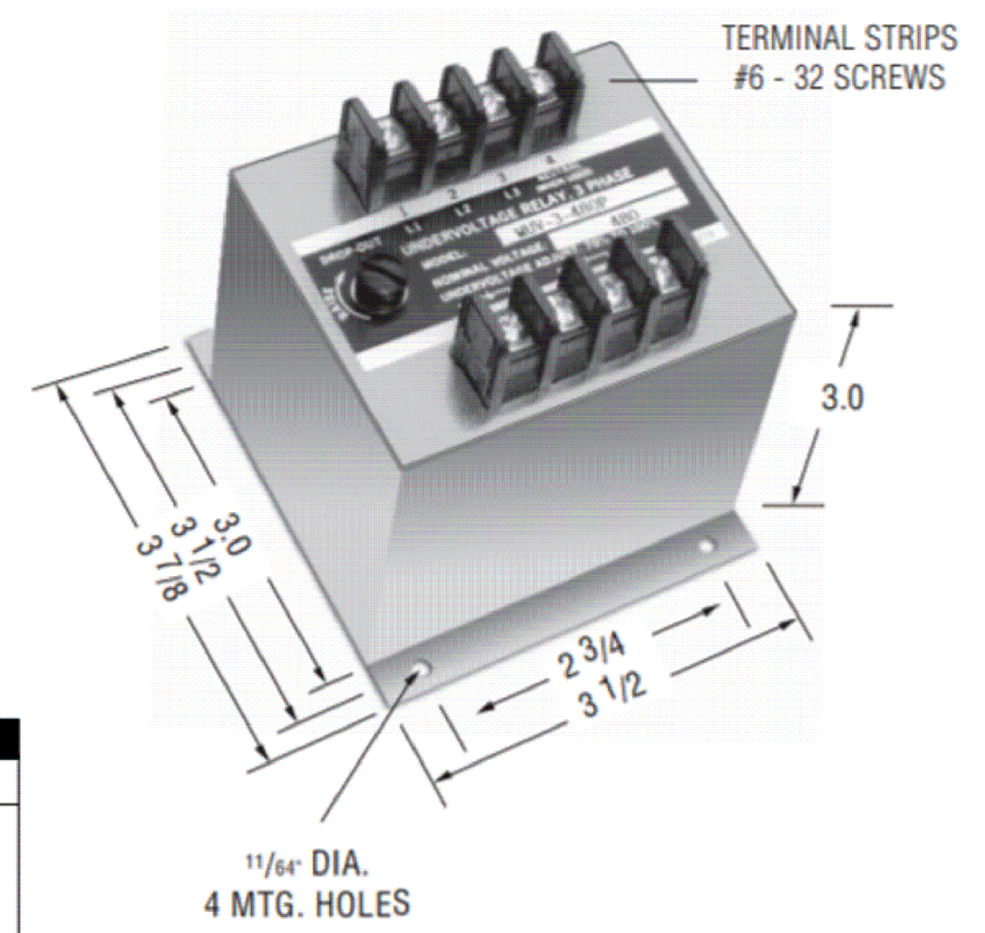
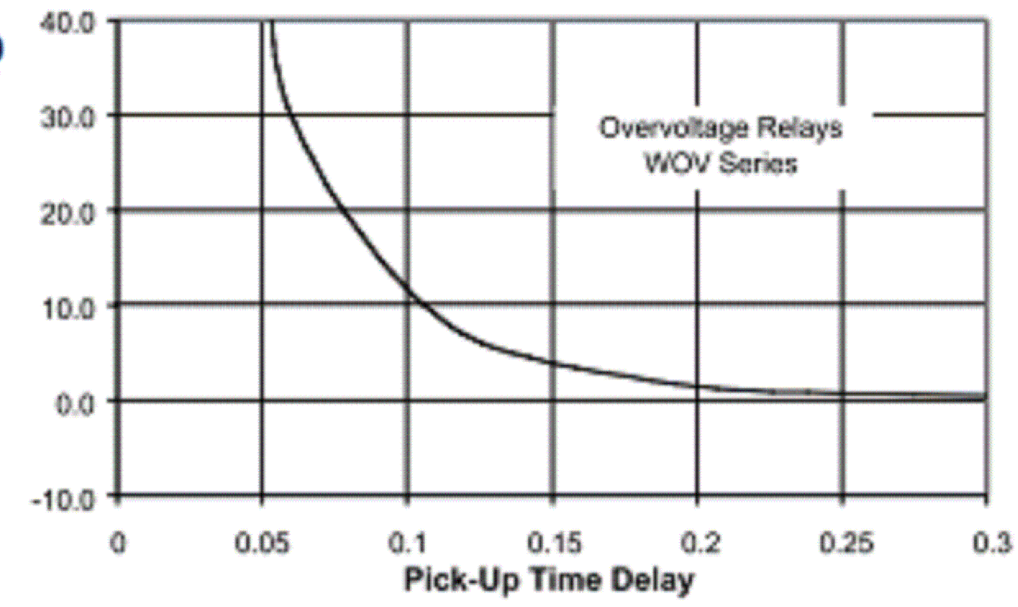
120	416
208	440
220	460
230	480
240	525
380	575

Options
 P - Transient Protection
 A - Two Normally Open Contacts
 B - Two Normally Closed Contacts
 H - 125VDC, 3A Contacts

Transient Protection - All voltage relays will withstand momentary voltage surges of twice the nominal rated input voltage (standard).

Option "P" provides additional transient protection which complies with the requirements of ANSI/IEEE C37.90-1978

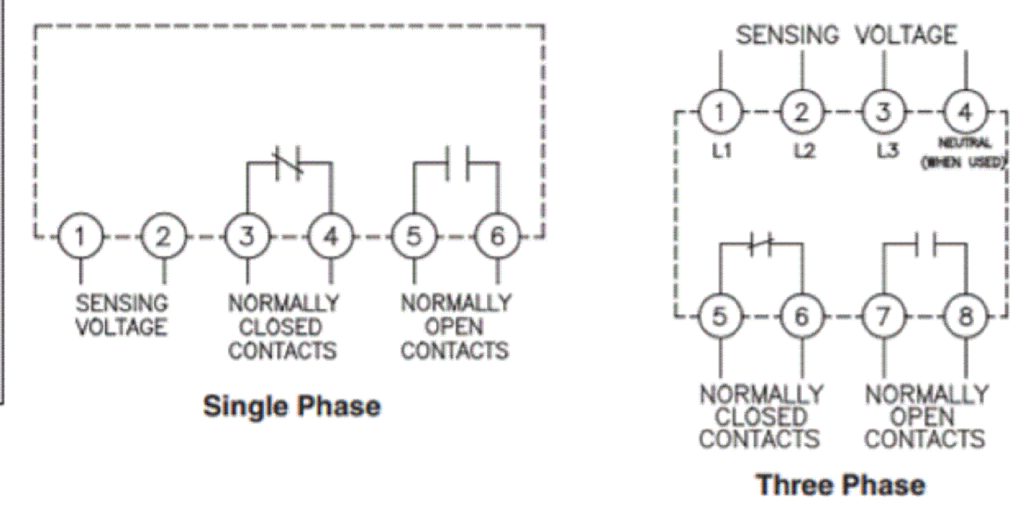
Typical Time Curve



Note: Dimensions in inches. Multiply values by 25.4 for dimensions in mm.

PRODUCT SPECIFICATIONS	
Part Number	WUV/WOV
Nominal Voltage	120 VAC to 575 VAC
Phase	Single or Three
Line Frequency	50-400 Hz
Pick-up to Drop-out Differential	2.5% maximum
Drop-out Point (u/v models)	70-100% of nominal voltage, screwdriver adjustable
Pick-Up Point (o/v models)	100-125% of nominal voltage, screwdriver adjustable
Output Contacts	One set N.O., One set N.C.
Contact Ratings	5 amp resistive at 120 VAC or 28 VDC
Operating Temperature Range	-20°C to +65°C
Power Consumption	2 VA maximum
Time Delay	150-300 ms (UV Model)
Minimum Life	500,000 operations

- Notes:**
1. Remove black screw for access to the voltage trip adjustment.
 2. Clockwise rotation of the adjustment potentiometer will raise the voltage trip point.



THIS DRAWING IS A CONTROLLED DOCUMENT.		DWN VM 13AUG2019	TE Connectivity		
		CHK RV 13AUG2019			
DIMENSIONS: INCHES 		APVD TN 13AUG2019	NAME		
TOLERANCES UNLESS OTHERWISE SPECIFIED: 0 PLC ± - 1 PLC ± - 2 PLC ± - 3 PLC ± - 4 PLC ± - ANGLES ± -		PRODUCT SPEC	WOV-WUV SERIES		
MATERIAL		FINISH	APPLICATION SPEC	-	
			SIZE A3	CAGE CODE -	DRAWING NO. C-WUV-WOV-SERIES
			WEIGHT -	RESTRICTED TO -	
CUSTOMER DRAWING			SCALE NTS	SHEET 1 OF 1	REV A