

P	LTR	DESCRIPTION	DATE	DWN	APVD
	A	INITIAL DRAWING	13AUG2019	VM	TN

Ordering Information

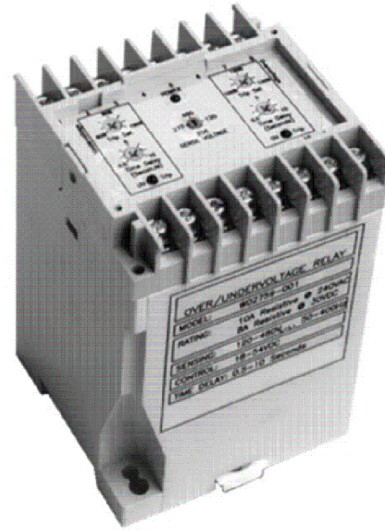
Typical Part Number ►

WD 2759 -002

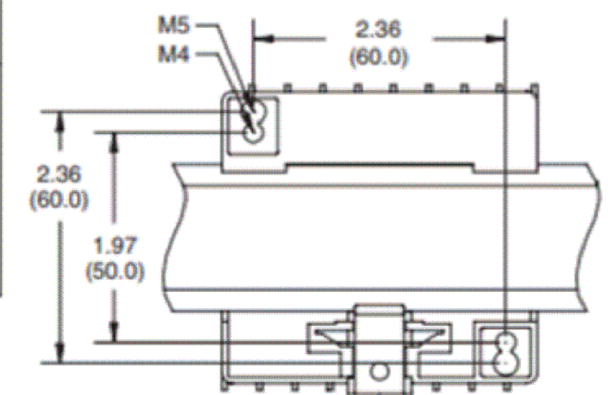
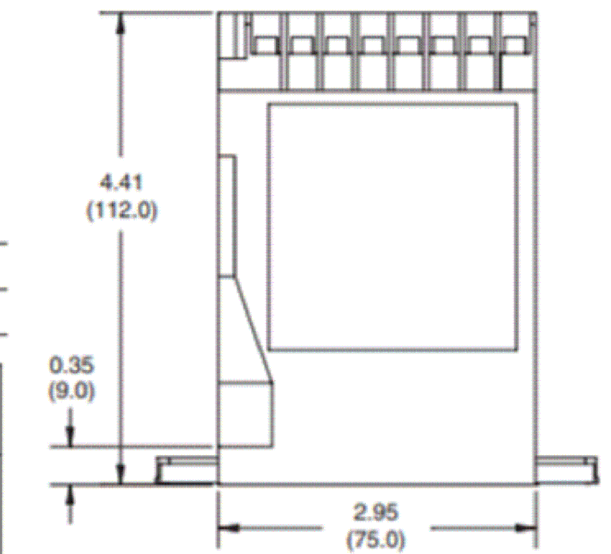
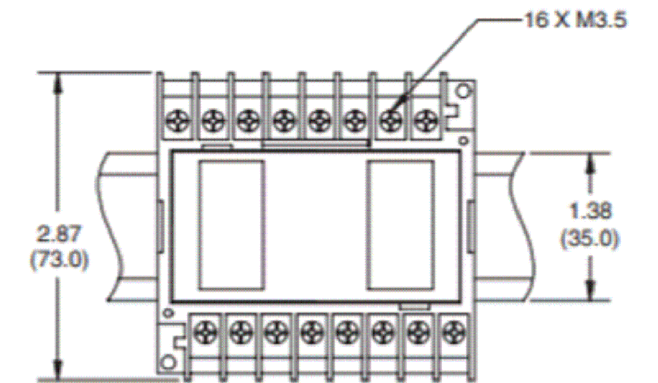
1. Basic Series: _____
WD = DIN mount Protective Relay.

2. Type: _____
2759 = Over/Undervoltage Relay.

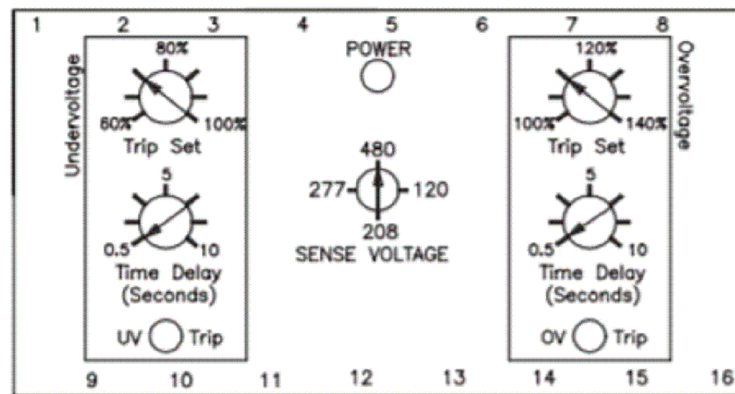
3. Control Voltage: _____
001 = 18 to 54VDC
002 = 13.5 to 32 VDC
003 = 100-200VDC or 100-140VAC.



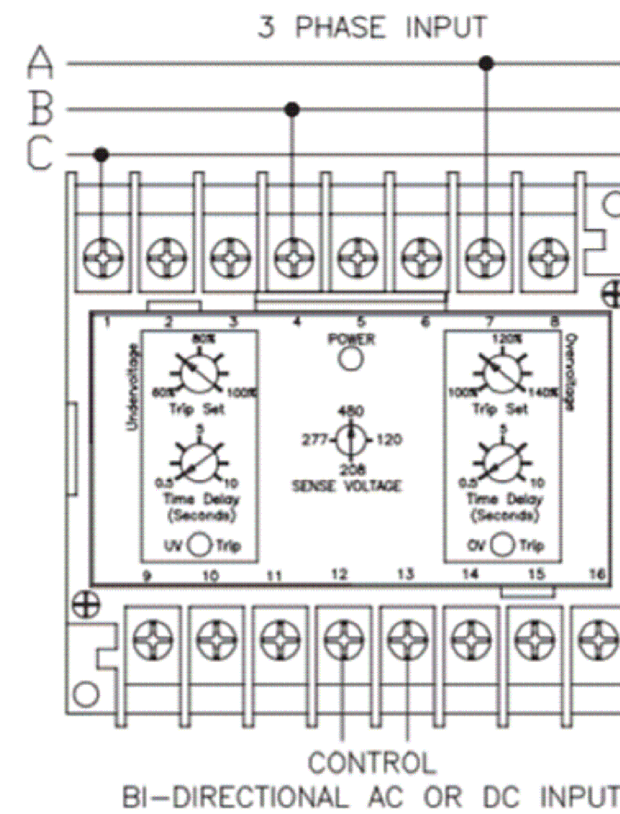
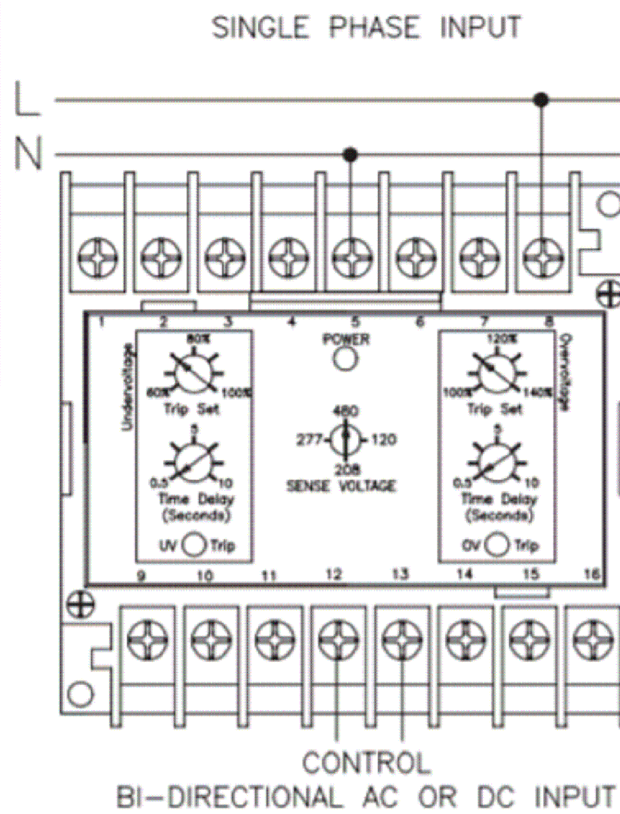
Outline Dimensions



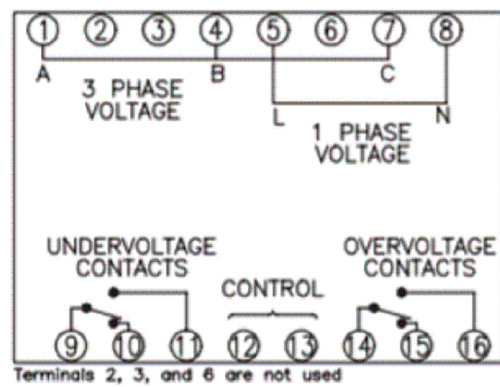
WD2759 Controls



WD2759 Typical Hookup



WD2759 Connections



ALL DIMENSIONS ARE IN INCHES(mm)

THIS DRAWING IS A CONTROLLED DOCUMENT.		DWN	13AUG2019	STE TE Connectivity
		VM		
		CHK	13AUG2019	NAME
		RV		
		APVD	13AUG2019	WD2759 OVER/UNDER VOLTAGE RELAY
		TN		
		PRODUCT SPEC		SIZE
		APPLICATION SPEC		
		WEIGHT		CAGE CODE
		CUSTOMER DRAWING		DRAWING NO
		SCALE		RESTRICTED TO
		SHEET		
		1 OF 1		REV
		A		