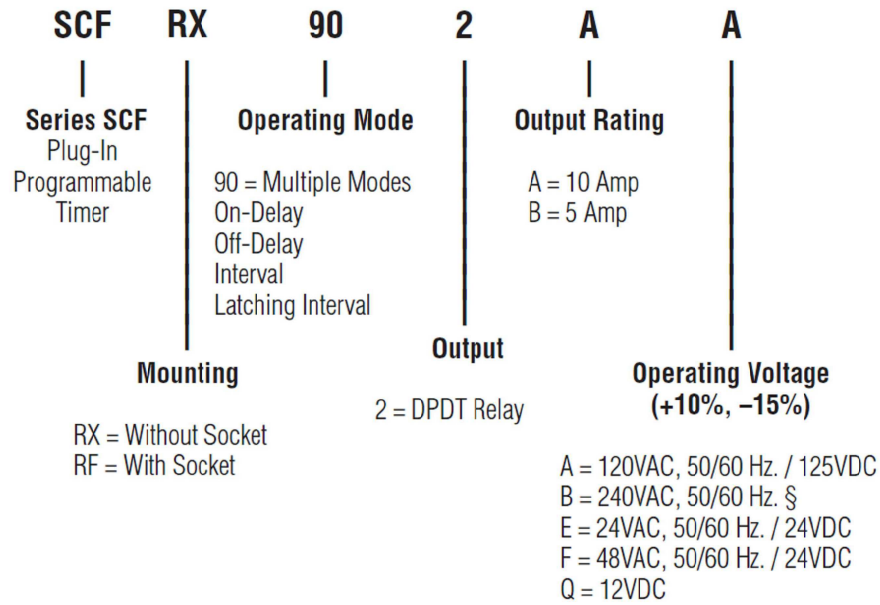
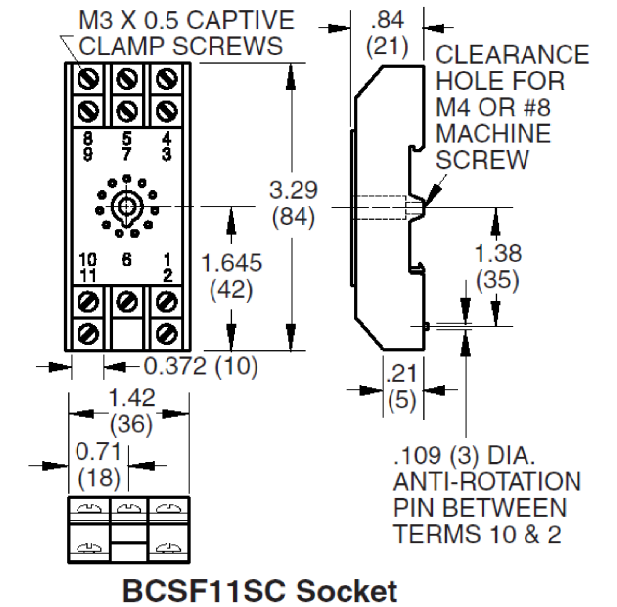
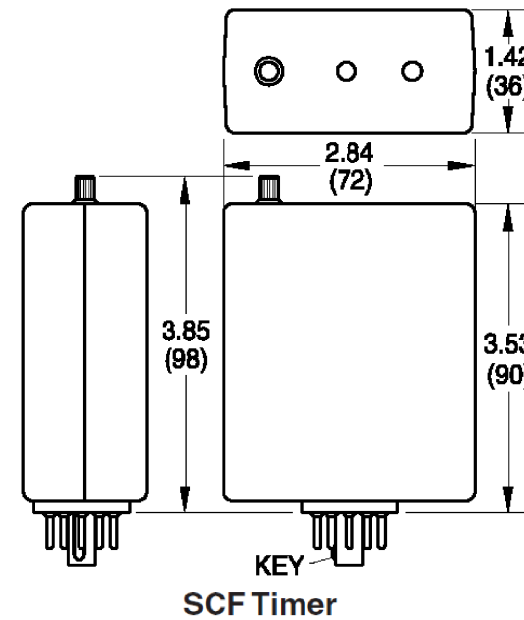


P	LTR	DESCRIPTION	DATE	DWN	APVD
A		INITIAL DRAWN	06AUG2019	RV	DH

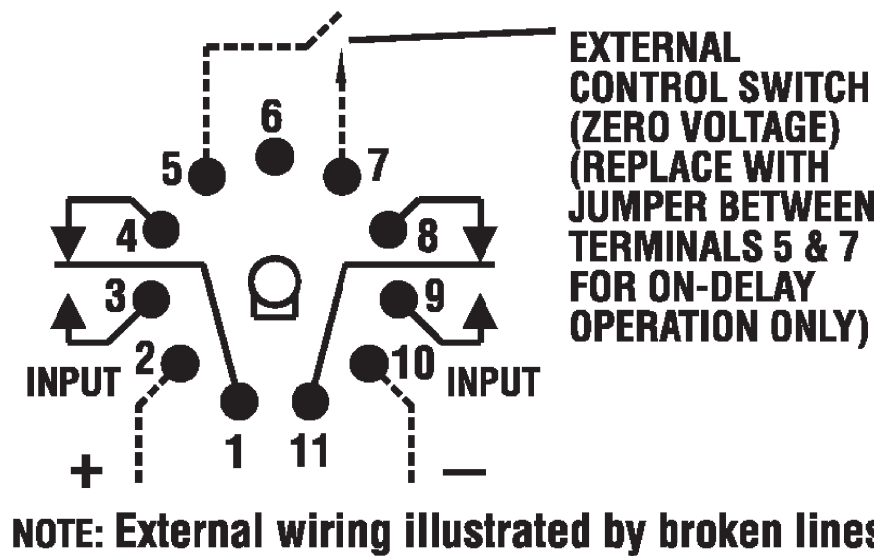
Ordering Information (All "X"s must be included to complete part number)



Outline Dimensions



Ordering Information (All "X"s must be included to complete part number)



**Wiring Diagram
(Bottom View)**

ALL DIMENSIONS ARE IN INCHES[MM].

THIS DRAWING IS A CONTROLLED DOCUMENT.		DWN	RV	06AUG2019	TE Connectivity	NAME	SCF SERIES, TIME DELAY RELAY			
DIMENSIONS: INCHES		CHK	RV	06AUG2019			PRODUCT SPEC	-		
		APVD	DH	06AUG2019			APPLICATION SPEC	-		
TOLERANCES UNLESS OTHERWISE SPECIFIED:					SIZE	CAGE CODE	DRAWING NO	RESTRICTED TO		
0 PLC ± -					A3	-	©=SCF-SERIES	-		
1 PLC ± -					CUSTOMER DRAWING		SCALE	SHEET	REV	
2 PLC ± -							NTS	1 of 1	A	
3 PLC ± -										
4 PLC ± -										
ANGLES ± -										
FINISH										
MATERIAL										