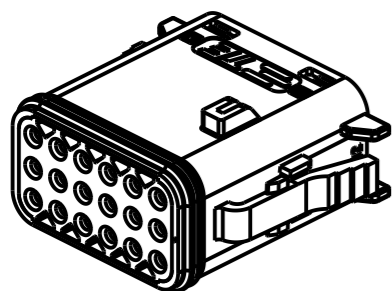
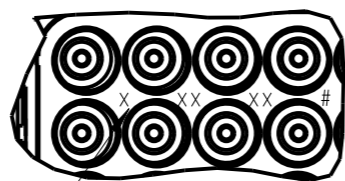


REVISIONS

P	LTR	DESCRIPTION	DATE	DWN	APVD
	A	INITIAL RELEASE	10JUN2020	J.G	I.Y
	A1	ECR-20-010349	26JUL2020	J.G	I.Y



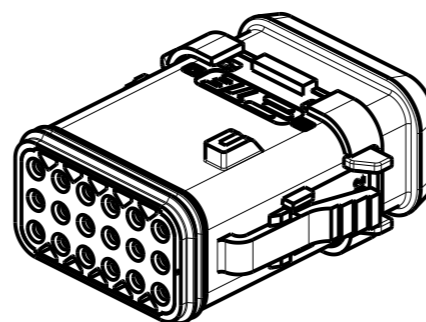
18CCT PLUG CONNECTOR WITHOUT HEATSHRINK HOUSING



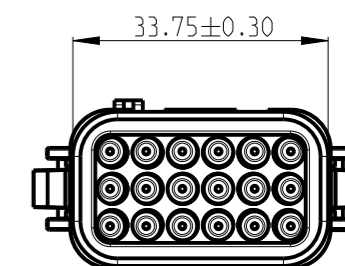
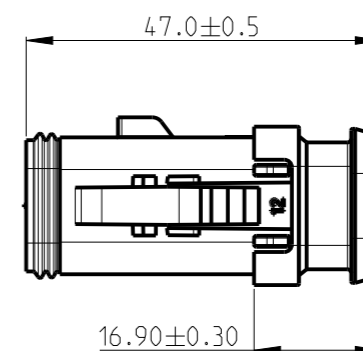
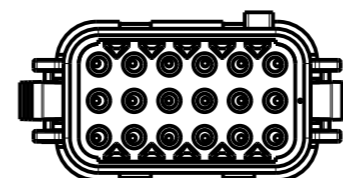
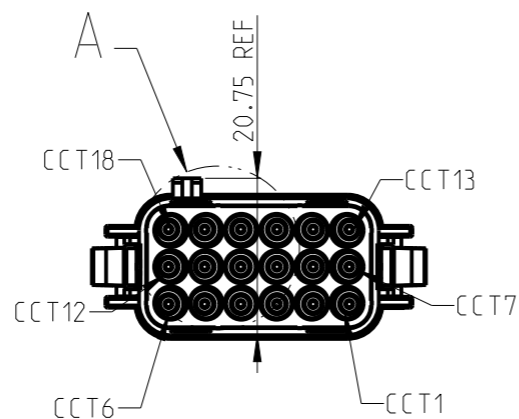
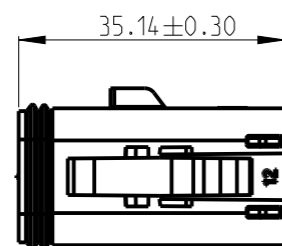
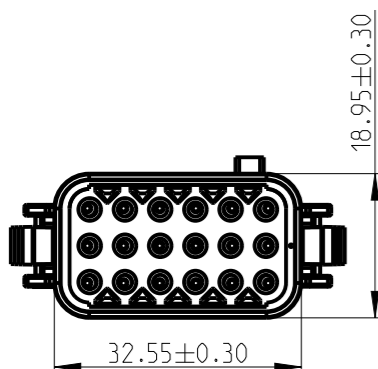
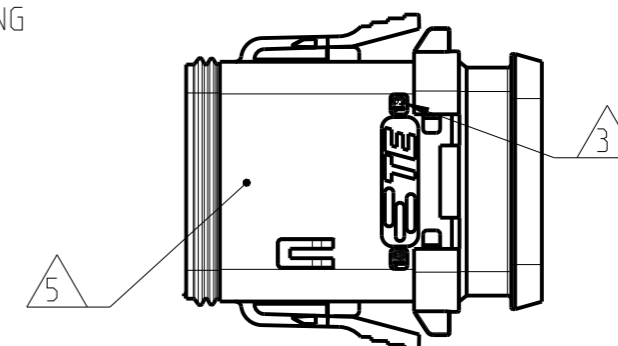
DETAIL A SCALE 2:1

DATE CODE: X XX XX  
 X-DAY: 1- 7  
 XX-WEEK: 01 - 52  
 XX-YEAR: 00 - 99  
 #-MACHINE 1

EXAMPLE: 11315 = DAY 1, WEEK 13, YEAR 15  
 i.e. 23rd OF MARCH 2015



18CCT PLUG CONNECTOR WITH HEATSHRINK HOUSING



1. THIS PLUG MATES WITH RECEP ASSEMBLY PN X-2600046-X FOR THE CORRESPONDED KEYING.

2. MATERIALS

PLUG HOUSING: NYLON GF30, BLACK. PLUG SEAL: SILICONE RUBBER, RED  
 TERMINAL RETAINER: NYLON GF30, BLACK  
 BACK SEAL: SILICONE RUBBER  
 BACK COVER: NYLON GF30, BLACK  
 HEATSHRINK HOUSING: NYLON GF30, BLACK

3 CIRCUIT IDENTIFICATION

4. JACKET RANGE = Ø1.35mm TO 3.05mm

5 REFERENCE ASSEMBLY AID CHECK MARK

6. SEE SHEET 2 FOR FINAL PART NUMBER DESIGNATION

THIS DRAWING IS A CONTROLLED DOCUMENT.

DIMENSIONS:	TOLERANCES UNLESS OTHERWISE SPECIFIED:
mm	
	0 PLC ±
	1 PLC ±
	2 PLC ±
	3 PLC ±
	4 PLC ±
	ANGLES ±
MATERIAL -	FINISH -

DWN	J.GU	26JUL2020
CHK	E. JIANG	26JUL2020
APVD	L.YIN	26JUL2020
PRODUCT SPEC	108-160026	
APPLICATION SPEC	114-160017	
WEIGHT	-	
CUSTOMER DRAWING		



NAME				RESTRICTED TO	
18CCT DT-XT CONNECTOR PLUG ASSEMBLY				-	
SIZE	CAGE CODE	DRAWING NO			
A3	00779	C-2600047			
SCALE		SHEET		OF	REV
1:1		1		2	A1

THIS DRAWING IS UNPUBLISHED.

RELEASED FOR PUBLICATION

20

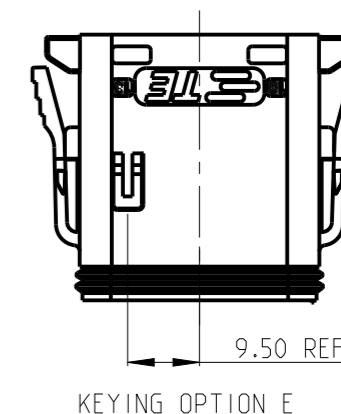
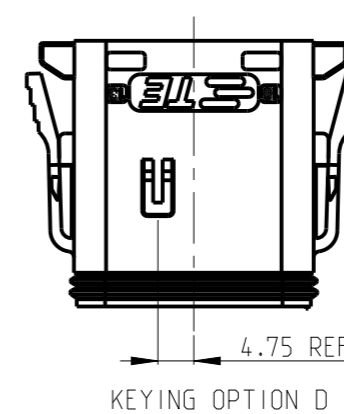
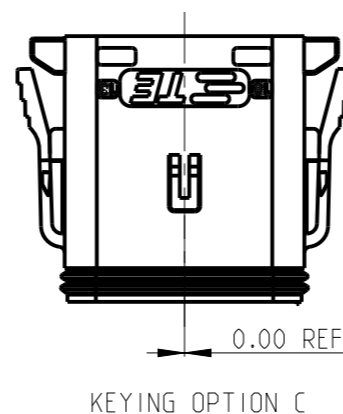
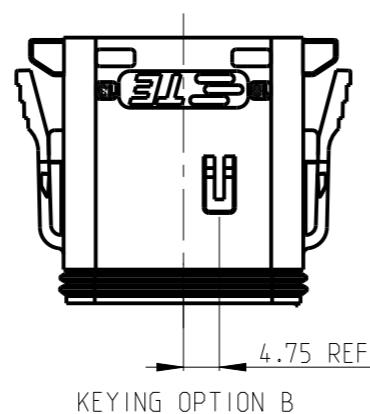
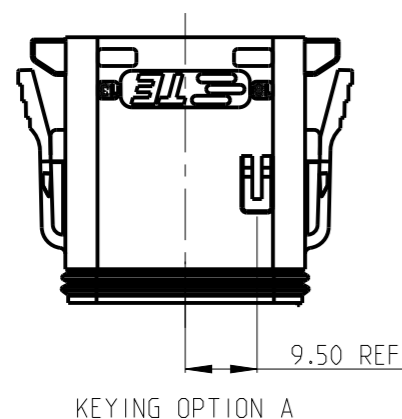
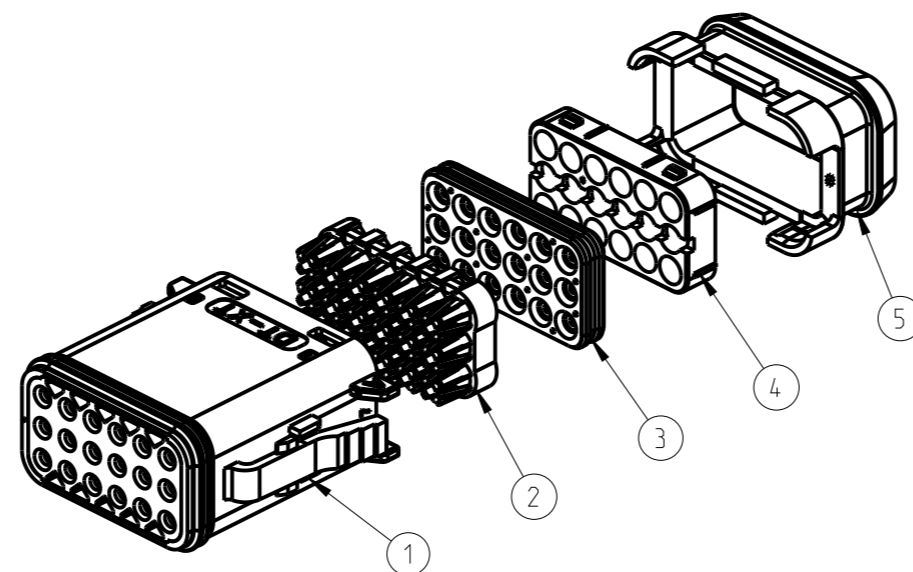
© COPYRIGHT 2020

TE Connectivity. All Rights Reserved.

ALL RIGHTS RESERVED.

REVISIONS

P	LTR	DESCRIPTION	DATE	DWN	APVD
		SEE SHEET 1			



1	2	3	4	5	6	7	8	9	10	11	12	13	14	
1	1	1	1	1	-	-	-	-	-	BLACK	NYLON GF30	HEATSHRINK HOUSING	5	
1	1	1	1	1	1	1	1	1	1	BLACK	NYLON GF30	BACK COVER	4	
1	1	1	1	1	1	1	1	1	1	BURNT ORANGE	SILICONE RUBBER	BACK SEAL	3	
1	1	1	1	1	1	1	1	1	1	BLACK	NYLON GF30	TERMINAL RETAINER	2	
1	-	-	-	-	1	-	-	-	-	BLACK	NYLON GF30	HOUSING, KEYING E	1	
-	1	-	-	-	-	1	-	-	-	BLACK	NYLON GF30	HOUSING, KEYING D		
-	-	1	-	-	-	-	1	-	-	BLACK	NYLON GF30	HOUSING, KEYING C		
-	-	-	1	-	-	-	-	1	-	BLACK	NYLON GF30	HOUSING, KEYING B		
-	-	-	-	1	-	-	-	-	1	BLACK	NYLON GF30	HOUSING, KEYING A		
QTY. REQUEST PER ASSY											COLOR	MATERIAL	DESCRIPTION	ITEM NO
18.30	18.30	18.30	18.30	18.30	15.35	15.35	15.35	15.35	15.35	WEIGHT OF EACH ASSY(g)				
-	-	-	-	-	-	-	-	-	-	REVISION OF EACH ASSY NO.				
934457551	934457541	934457531	934457521	934457511	934457151	934457141	934457131	934457121	934457111	ALIAS PN				
1--0	--9	--8	--7	--6	--5	--4	--3	--2	--1	TE ASSEMBLY PN				

THIS DRAWING IS A CONTROLLED DOCUMENT.

DWN J.GU 26JUL2020  
 CHK E. JIANG 26JUL2020  
 APVD L.YIN 26JUL2020

PRODUCT SPEC 108-160026  
 APPLICATION SPEC 114-160017  
 WEIGHT -

CUSTOMER DRAWING

DIMENSIONS: mm  
 TOLERANCES UNLESS OTHERWISE SPECIFIED:  
 0 PLC ±  
 1 PLC ±  
 2 PLC ±  
 3 PLC ±  
 4 PLC ±  
 ANGLES ±

MATERIAL - FINISH -

**STE** TE Connectivity

NAME 18CCT DT-XT CONNECTOR PLUG ASSEMBLY

SIZE A3 CAGE CODE 00779 DRAWING NO. C=2600047 RESTRICTED TO -

SCALE 1:1 SHEET 2 OF 2 REV A1