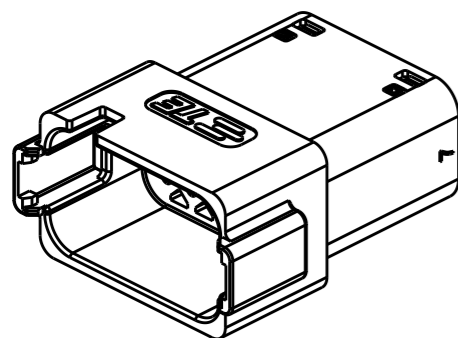
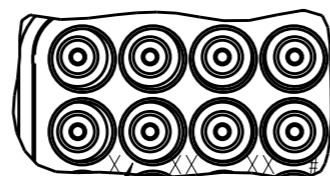


REVISIONS

P	LTR	DESCRIPTION	DATE	DWN	APVD
	A	INITIAL RELEASE	10JUN2020	J.G	I.Y
	A1	ECR-20-010349	26JUL2020	J.G	I.Y



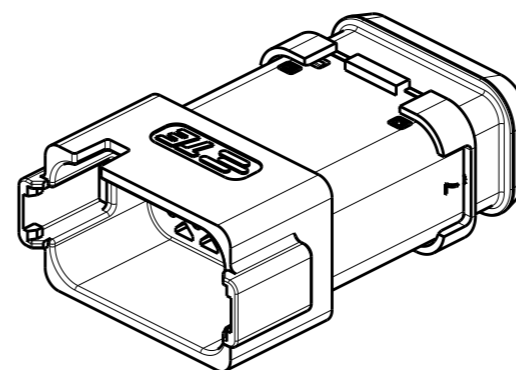
18CCT RECEPTACLE CONNECTOR WITHOUT HEATSHRINKING HOUSING



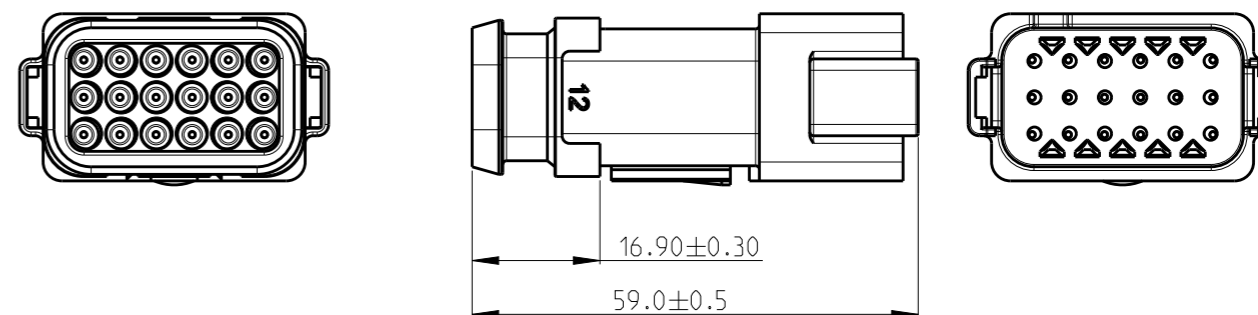
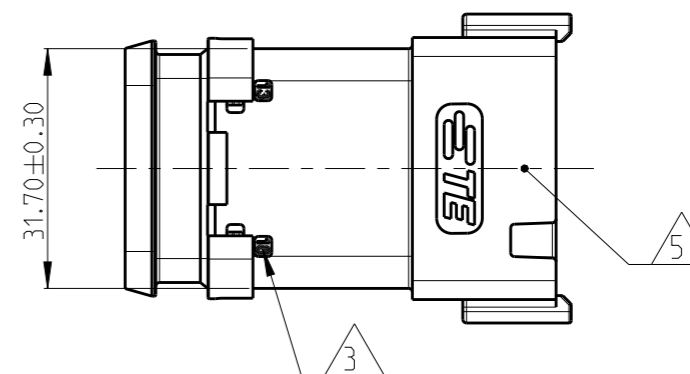
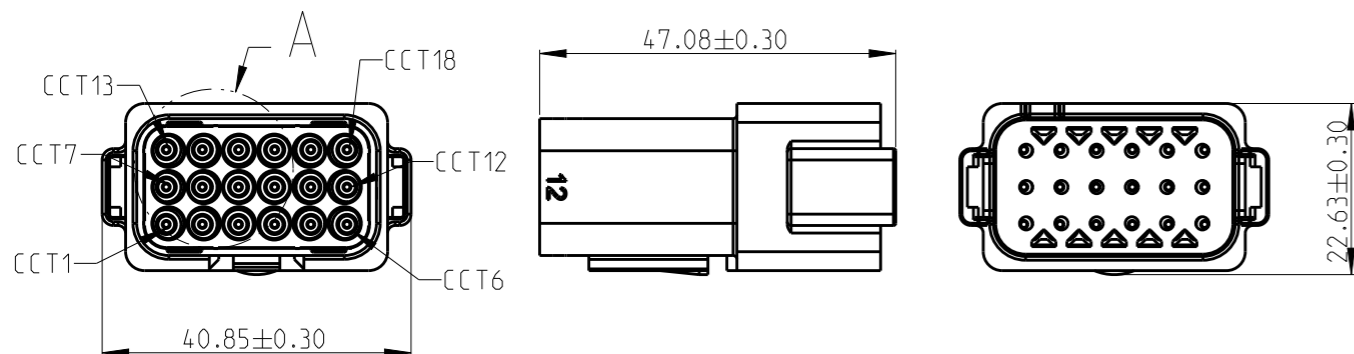
DETAIL A SCALE 2:1

DATE CODE: X XX XX
 X-DAY: 1- 7
 XX-WEEK: 01 - 52
 XX-YEAR: 00 - 99
 #-MACHINE 1

EXAMPLE: 11315 = DAY 1, WEEK 13, YEAR 15
 i.e. 23rd OF MARCH 2015



18CCT RECEPTACLE CONNECTOR WITH HEATSHRINKING HOUSING



1. THIS RECEP MATES WITH PLUG ASSEMBLY PN X-2600047-X FOR THE CORRESPONDED KEYING.

2. MATERIALS
 RECEPTACLE HOUSING: NYLON GF30, SEE PN TABLE FOR KEYING
 TERMINAL RETAINER: NYLON GF30, BLACK
 BACK SEAL: SILICONE RUBBER
 BACK COVER: NYLON GF30, BLACK
 HEATSHRINK HOUSING: NYLON GF30, BLACK

3 CIRCUIT IDENTIFICATION

4. JACKET RANGE = Ø1.35mm TO 3.05mm

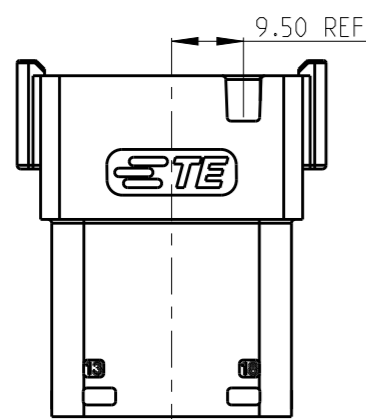
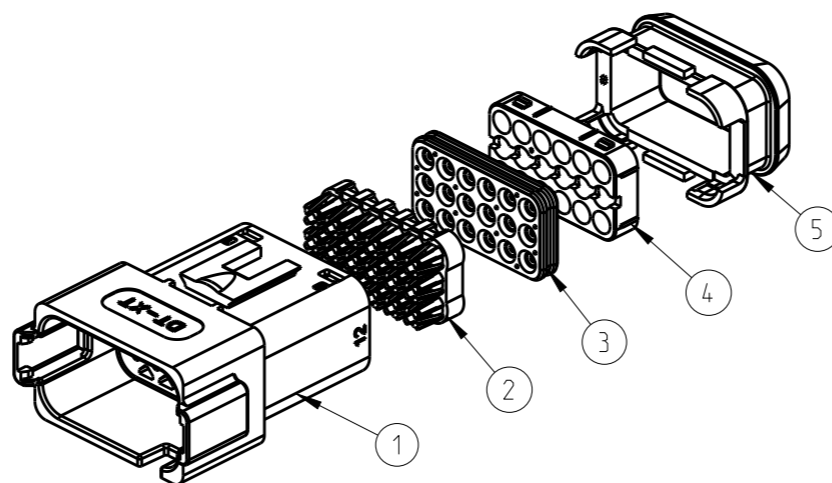
5 ASSEMBLY AID CHECK MARK.

6. SEE SHEET 2 FOR FINAL PART NUMBER DESIGNATION

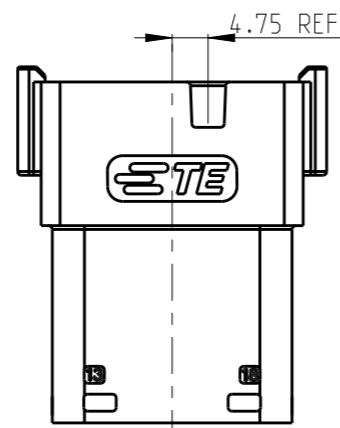
THIS DRAWING IS A CONTROLLED DOCUMENT.		DWN J.GU 26JUL2020	TE Connectivity			
		CHK E. JIANG 26JUL2020				
		APVD I.YIN 26JUL2020	NAME 18CCT DT-XT CONNECTOR RECEP ASSEMBLY			
DIMENSIONS: mm		PRODUCT SPEC 108-160026	SIZE A3	CAGE CODE 00779	DRAWING NO C=2600046	RESTRICTED TO -
TOLERANCES UNLESS OTHERWISE SPECIFIED:		APPLICATION SPEC 114-160017	SCALE 1:1		SHEET 1 OF 2	REV A1
MATERIAL -		WEIGHT -	CUSTOMER DRAWING			

THIS DRAWING IS UNPUBLISHED. RELEASED FOR PUBLICATION 20
 © COPYRIGHT 2020 TE Connectivity. All Rights Reserved. ALL RIGHTS RESERVED.

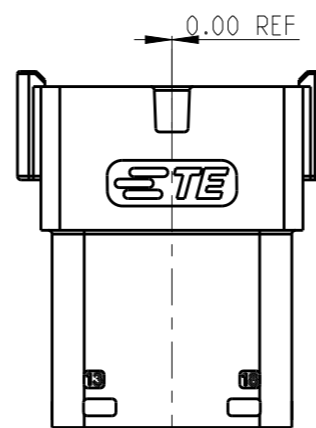
REVISIONS				
P	LTR	DESCRIPTION	DATE	APVD
		SEE SHEET 1		



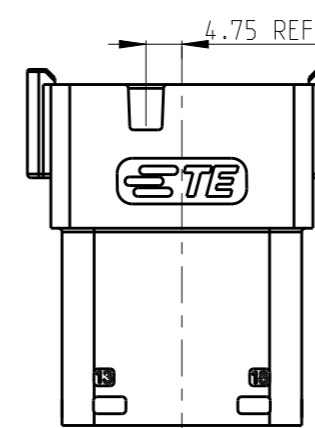
KEYING OPTION A



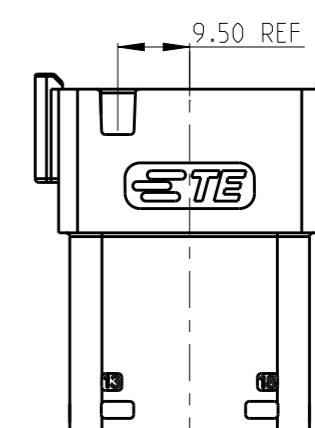
KEYING OPTION B



KEYING OPTION C



KEYING OPTION D



KEYING OPTION E

1	1	1	1	1	-	-	-	-	-	BLACK	NYLON GF30	HEATSHRINK HOUSING	5
1	1	1	1	1	1	1	1	1	1	BLACK	NYLON GF30	BACK COVER	4
1	1	1	1	1	1	1	1	1	1	BURNT ORANGE	SILICONE RUBBER	BACK SEAL	3
1	1	1	1	1	1	1	1	1	1	BLACK	NYLON GF30	TERMINAL RETAINER	2
1	-	-	-	-	1	-	-	-	-	BLACK	NYLON GF30	HOUSING, KEYING E	1
-	1	-	-	-	-	1	-	-	-	BLACK	NYLON GF30	HOUSING, KEYING D	
-	-	1	-	-	-	-	1	-	-	BLACK	NYLON GF30	HOUSING, KEYING C	
-	-	-	1	-	-	-	-	1	-	BLACK	NYLON GF30	HOUSING, KEYING B	
-	-	-	-	1	-	-	-	-	1	BLACK	NYLON GF30	HOUSING, KEYING A	
QTY. REQUEST PER ASSY										COLOR	MATERIAL	DESCRIPTION	ITEM NO
18.98	18.98	18.98	18.98	18.98	16.04	16.04	16.04	16.04	16.04	WEIGHT OF EACH ASSY(g)			
-	-	-	-	-	-	-	-	-	-	REVISION OF EACH ASSY NO.			
934447551	934447541	934447531	934447521	934447511	934447151	934447141	934447131	934447121	934447111	ALIAS PN			
1--0	--9	--8	--7	--6	--5	--4	--3	--2	--1	TE ASSEMBLY PN			

THIS DRAWING IS A CONTROLLED DOCUMENT.

DWN J.GU 26JUL2020
 CHK E. JIANG 26JUL2020
 APVD L.YIN 26JUL2020

PRODUCT SPEC 108-160026
 APPLICATION SPEC 114-160017
 WEIGHT -

CUSTOMER DRAWING

DIMENSIONS: mm
 TOLERANCES UNLESS OTHERWISE SPECIFIED:
 0 PLC ±
 1 PLC ±
 2 PLC ±
 3 PLC ±
 4 PLC ±
 ANGLES ±

MATERIAL - FINISH -

STE TE Connectivity

NAME 18CCT DT-XT CONNECTOR RECEP ASSEMBLY

SIZE A3 CAGE CODE 00779 DRAWING NO C-2600046 RESTRICTED TO -

SCALE 1:1 SHEET 2 OF 2 REV A1