

4

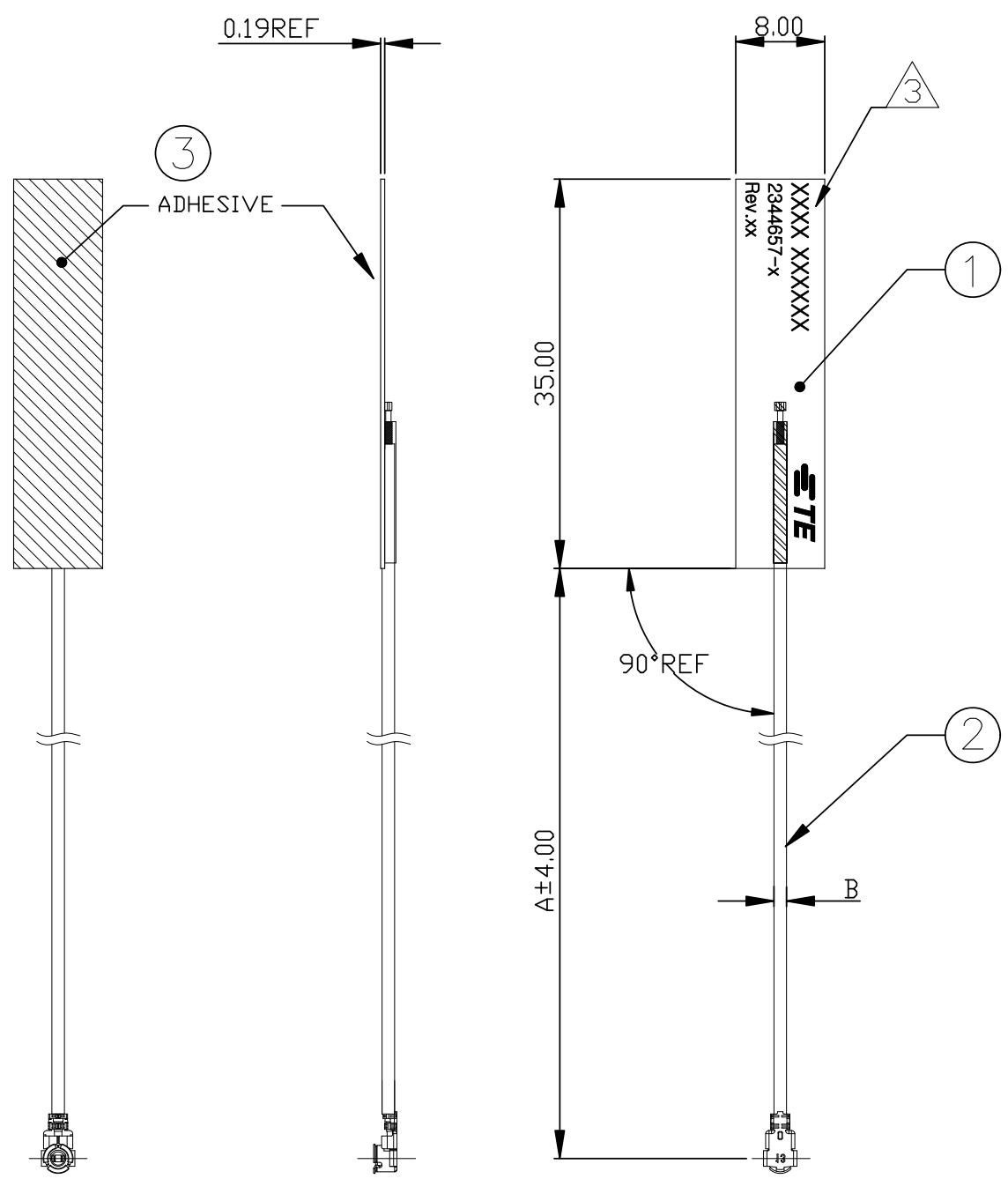
3

2

1

© - TE Connectivity. All Rights Reserved.

REVISIONS				
P	LTR	DESCRIPTION	DATE	APVD
	D5	REVISED PER ECN-24-278837	07AUG2024	SJ WT



1. MATERIALS : REFER TO TABLE.
2. FABRICATE TO MEET IPC -6013, CLASS2
INSPECT TO MEET IPC -A-600, CLASS2
3. IDENTIFICATION INCLUDES : FOUR DIGIT DATE CODE(FIRST 2 DIGITS FOR THE WEEK CODE AND THE 2ND TWO DIGITS FOR THE YEAR CODE), MANUFACTURING CONTROL NUMBER, TE PART NUMBER & REVISION NO.
4. CONSULT TE CONNECTIVITY DATA SHEET DS 2344657.

UMCC GEN.4 (MHF4 TYPE)	0.81	250	1-2344657-2
		300	1-2344657-1
		200	2344657-8
		150	2344657-7
		100	2344657-6
UMCC GEN.1 (MHF1 TYPE)	1.13	50	2344657-5
		300	1-2344657-3
		250	2344657-9
		200	2344657-4
		150	2344657-3
CONNECTOR TYPE	DIMENSION	B	A
		PART NUMBER	

D

D

C

C

B

B

A

A

THIS DRAWING IS A CONTROLLED DOCUMENT.		DWN	22OCT2018
		CHK	PAUL HUNAG
		APVD	22OCT2018
		APVD	AKU HUANG
		APVD	AMOS CHEAH
		PRODUCT SPEC	
		APPLICATION SPEC	
		WEIGHT	0
		CUSTOMER DRAWING	

STE TE Connectivity Ltd.			
NAME WLAN DUAL BAND ANTENNA FPC H			
SIZE	CAGE CODE	DRAWING NO	RESTRICTED TO
A3	00779	C-2344657	-
SCALE		SHEET	REV
1:1		1 of 4	D5

DOUBLE-SIDED TAPE	ADHESIVE 3M TAPE	3
COAXIAL CABLE & CONN	CABLE ASSY	2
PI FILM	FPCB ANTENNA	1
MATERIAL	NAME	ITEM NO.
-	-	-

DIMENSIONS:	TOLERANCES UNLESS OTHERWISE SPECIFIED:
mm	
0 PLC	± -
1 PLC	± -
2 PLC	± -
3 PLC	± -
4 PLC	± -
ANGLES	± -
MATERIAL	FINISH
-	-

4

3

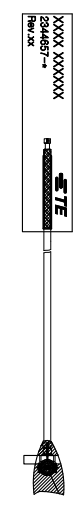
2

1

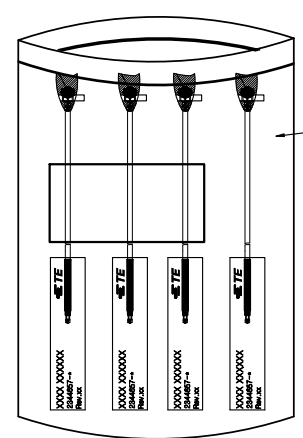
© - TE Connectivity. All Rights Reserved.

REVISIONS					
P	LTR	DESCRIPTION	DATE	DWN	APVD
-	-	SEE SHEET 1	-	-	-

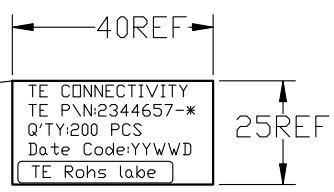
PACKAGING P/Ns : 2344657-1,-2,-3,-4



25PCS/BUNCH

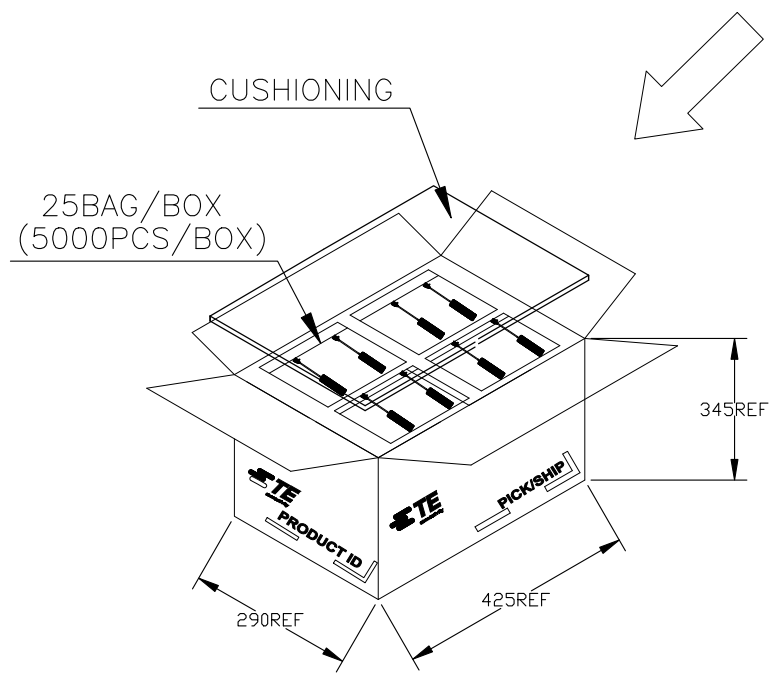


200PCS/BAG
DESICCANT:1PCS/BAG



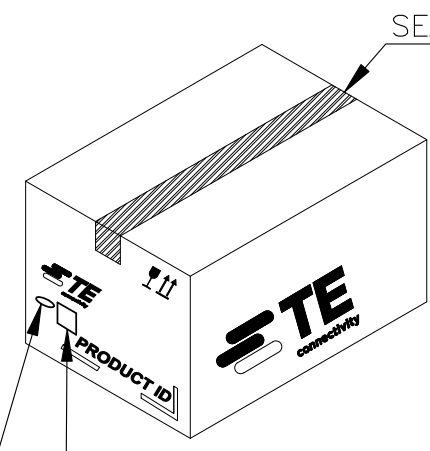
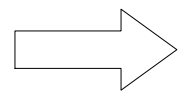
PACKING LABEL

Q' TY	PACKING QUANTITY		
	PCS/BAG	BAG/BOX	PCS/BOX
1	200	25	5000



25BAG/BOX
(5000PCS/BOX)

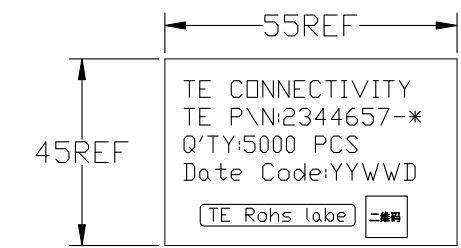
CUSHIONING



SEALING TAPE

MONTH LABEL

BOX LABEL



BOX LABEL

THIS DRAWING IS A CONTROLLED DOCUMENT.		DWN	PAUL HUNAG	22OCT2018	 TE Connectivity Ltd.		
DIMENSIONS: mm		CHK	AKU HUANG	22OCT2018			
		APVD	AMOS CHEAH	22OCT2018			
TOLERANCES UNLESS OTHERWISE SPECIFIED:		PRODUCT SPEC		NAME			
0 PLC ± - 1 PLC ± - 2 PLC ± - 3 PLC ± - 4 PLC ± - ANGLES ± -		APPLICATION SPEC		WLAN DUAL BAND ANTENNA FPC H			
MATERIAL		WEIGHT		SIZE	CAGE CODE	DRAWING NO	RESTRICTED TO
-		-		A3	00779	C-2344657	-
CUSTOMER DRAWING				SCALE	NTS	SHEET	2 of 4
				REV	D5		

4

3

2

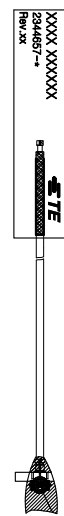
1

© - TE Connectivity. All Rights Reserved.

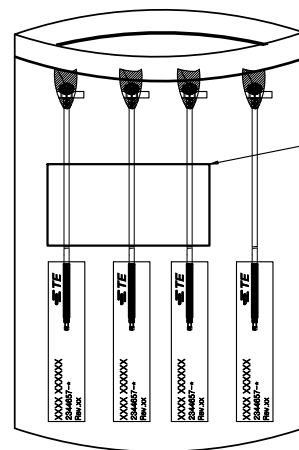
REVISIONS

P	LTR	DESCRIPTION	DATE	DWN	APVD
-	-	SEE SHEET 1	-	-	-

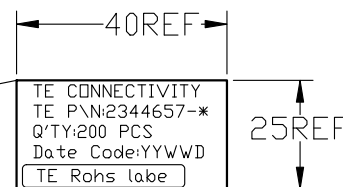
PACKAGING P/Ns : 2344657-5,-6,-7,-8



25PCS/BUNCH



200PCS/BAG
DESICCANT:1PCS/BAG



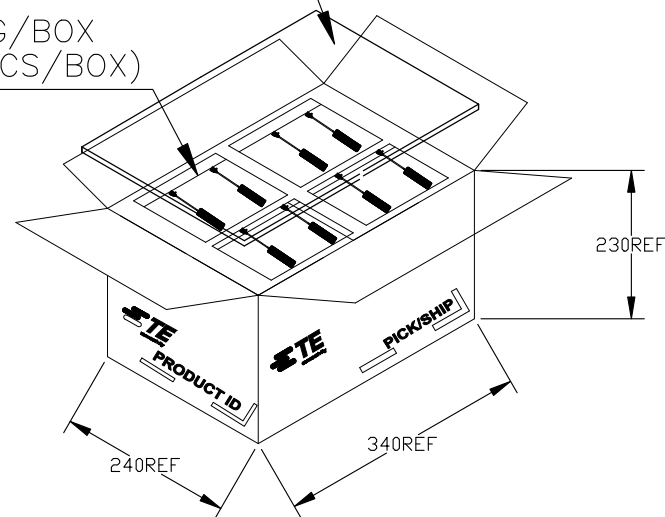
PACKING LABEL

TE CONNECTIVITY
TE P\N:2344657-*
Q'TY:200 PCS
Date Code:YYWWD
TE Rohs labe

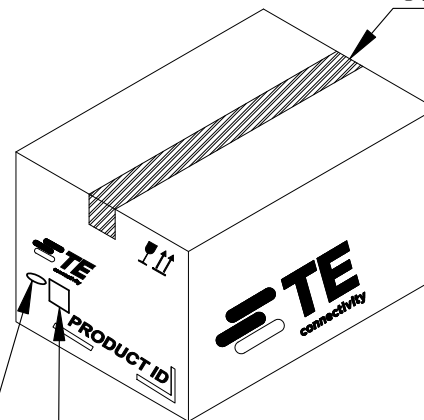
Q' TY	PACKING QUANTITY		
	PCS/BAG	BAG/BOX	PCS/BOX
1	200	15	3000

CUSHIONING

15BAG/BOX
(3000PCS/BOX)

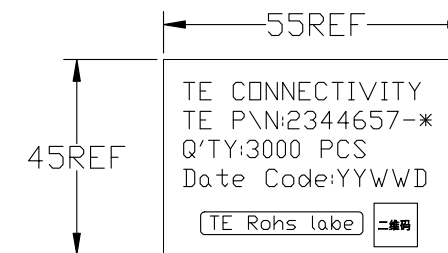


SEALING TAPE



MONTH LABEL

BOX LABEL



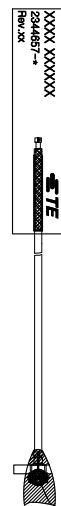
BOX LABEL

TE CONNECTIVITY
TE P\N:2344657-*
Q'TY:3000 PCS
Date Code:YYWWD
TE Rohs labe

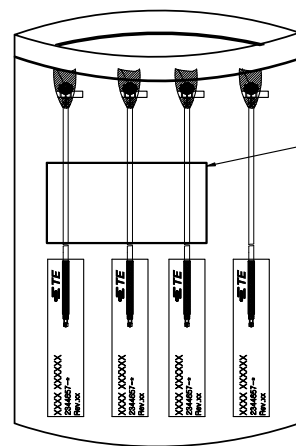
THIS DRAWING IS A CONTROLLED DOCUMENT.		DWN	22OCT2018	 TE Connectivity Ltd.
		CHK	22OCT2018	
		APVD	22OCT2018	
		PRODUCT SPEC		
DIMENSIONS: mm		TOLERANCES UNLESS OTHERWISE SPECIFIED:		NAME
		0 PLC ± - 1 PLC ± - 2 PLC ± - 3 PLC ± - 4 PLC ± - ANGLES ± -		WLAN DUAL BAND ANTENNA FPC H
MATERIAL		FINISH		SIZE
				CAGE CODE
				DRAWING NO
				RESTRICTED TO
		WEIGHT		A3
		0		00779
		CUSTOMER DRAWING		C=2344657
		SCALE		1:1
		SHEET		3 of 4
		REV		D5

PACKAGING P/Ns : 2344657-9, 1-2344657-1, 1-2344657-2, 1-234657-3

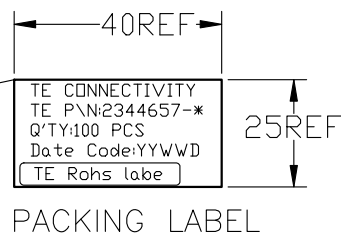
P	LTR	DESCRIPTION	DATE	DWN	APVD
-	-	SEE SHEET 1	-	-	-



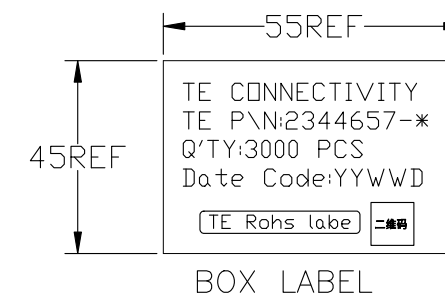
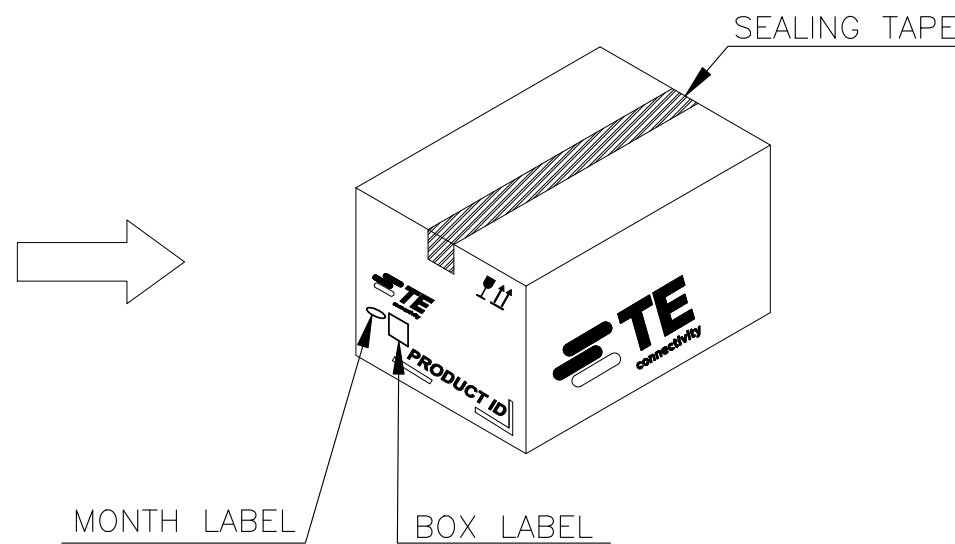
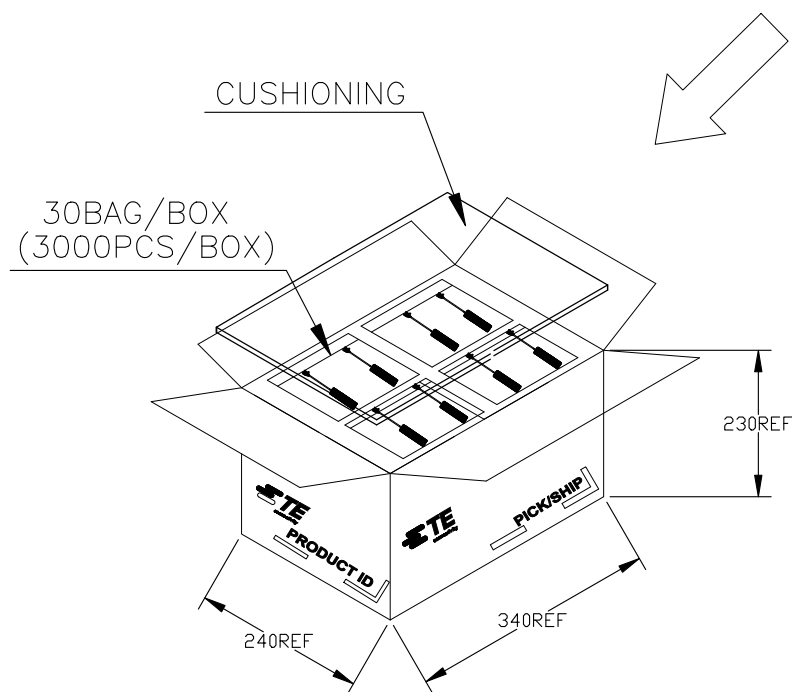
25PCS/BUNCH



100PCS/BAG
DESICCANT:1PCS/BAG



Q' TY	PACKING QUANTITY		
	PCS/BAG	BAG/BOX	PCS/BOX
1	100	30	3000



THIS DRAWING IS A CONTROLLED DOCUMENT.		DWN	22OCT2018	TE Connectivity Ltd.
		CHK	22OCT2018	
DIMENSIONS: mm		AKU HUANG AMOS CHEAH PRODUCT SPEC		NAME WLAN DUAL BAND ANTENNA FPC H
		APVD 22OCT2018		
TOLERANCES UNLESS OTHERWISE SPECIFIED:		APPLICATION SPEC		SIZE A3
0 PLC ± - 1 PLC ± - 2 PLC ± - 3 PLC ± - 4 PLC ± - ANGLES ± -		WEIGHT 0		
MATERIAL		FINISH		CAGE CODE 00779
		CUSTOMER DRAWING		DRAWING NO 2344657
		SCALE		RESTRICTED TO -
		SHEET		REV D5
		1:1		4 of 4