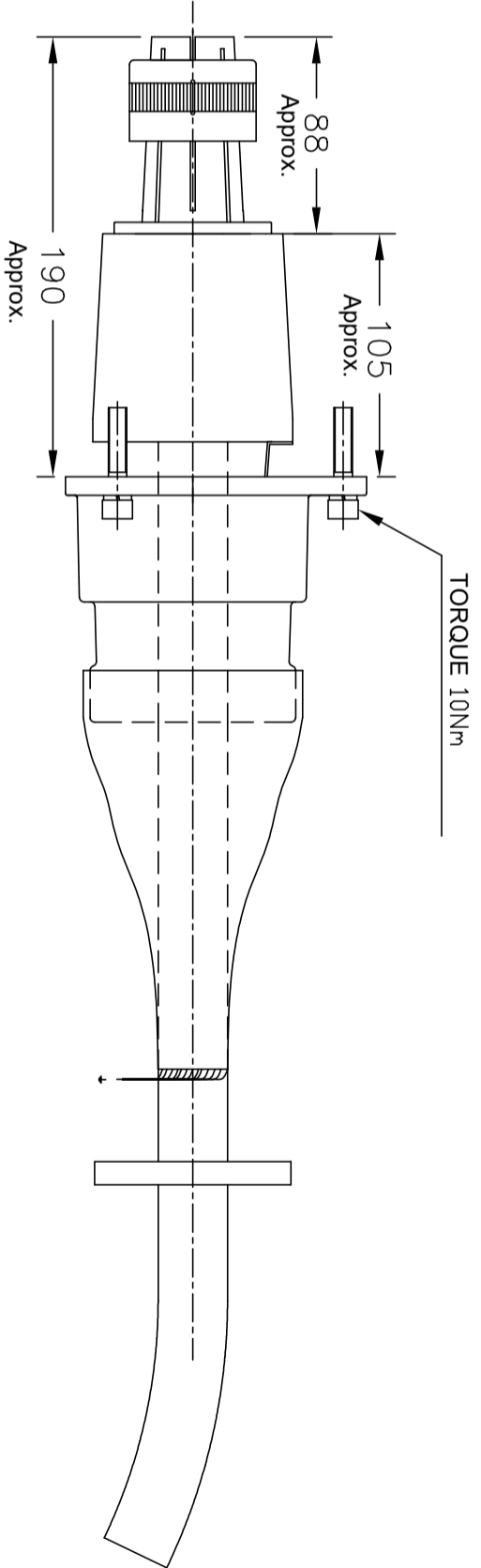
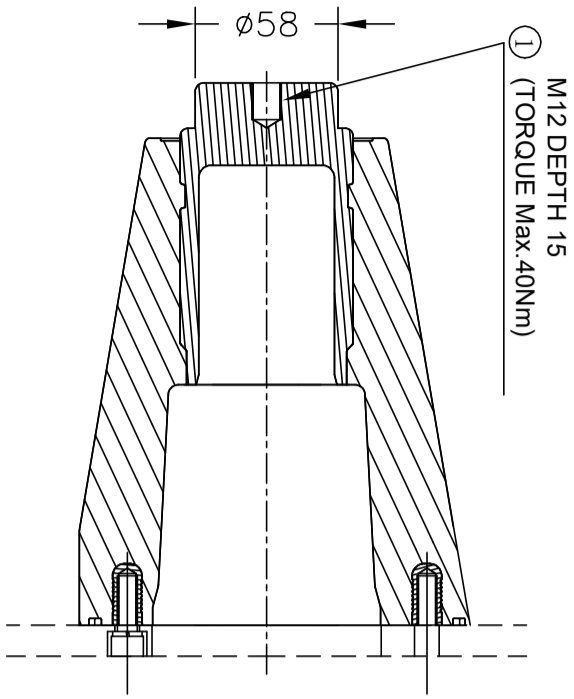
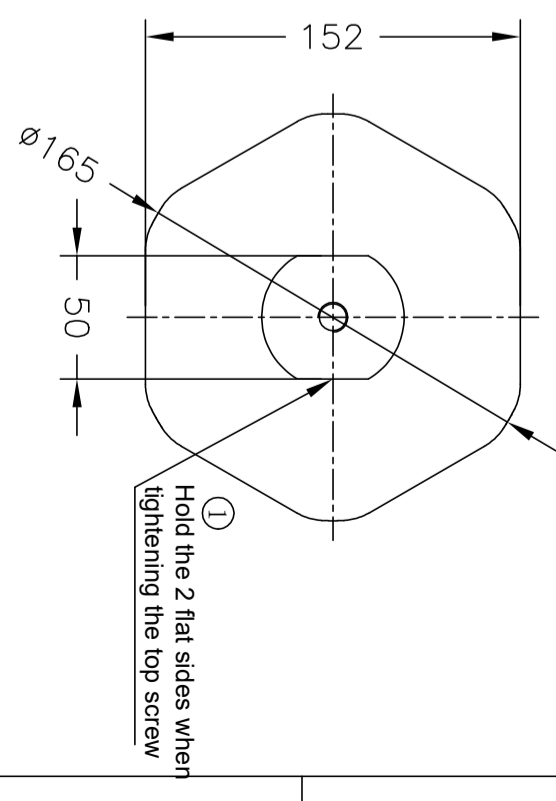
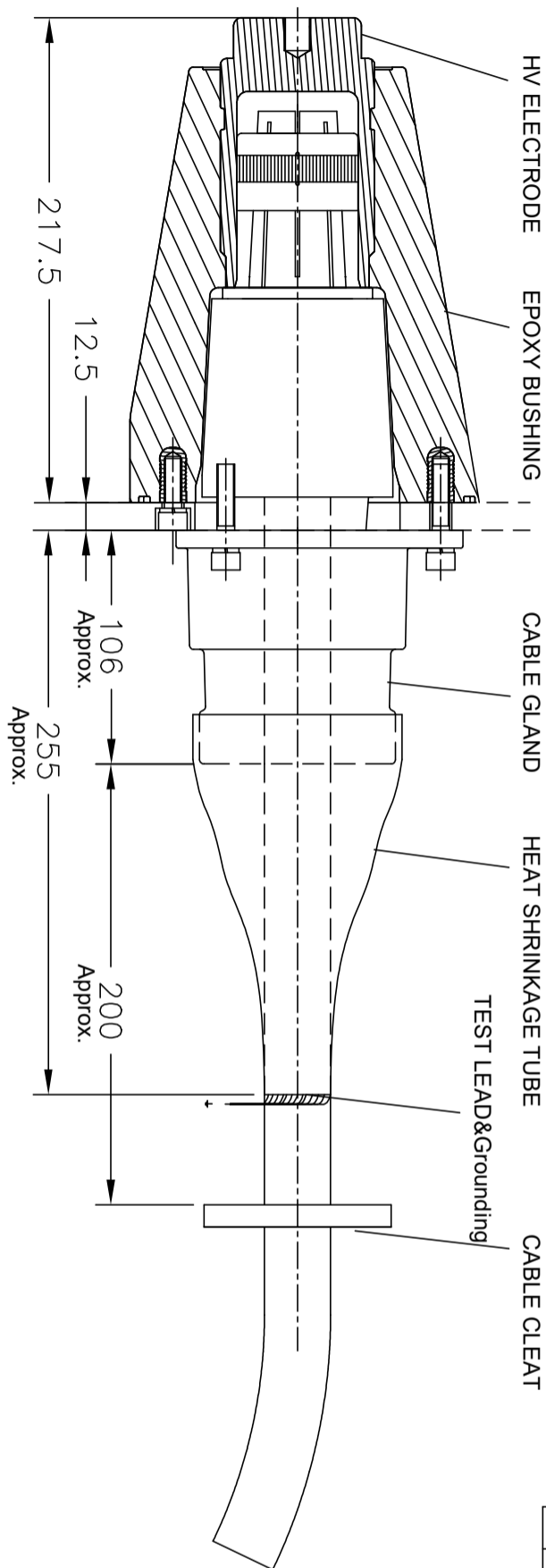


REVISIONS				
P	LTR	DESCRIPTION	DATE	DWN APVD
1		ORIGINAL		W.X. L.K.



TECHNICAL DATA	
MAX. VOLTAGE U <sub>m</sub> (kV)	42
AC Withstand(kV)	117
LIGHTING IMPULSE VOLTAGE(kV)	200
MAX. INSULATION DIA. (mm)	55
THERMAL SC	35KA/5S
DYNAMIC SC	125KA
Rated current(A)	Max.1250
WEIGHT(kg)	2.5

THIS DRAWING IS A CONTROLLED DOCUMENT.

DIMENSIONS: mm

TOLERANCES UNLESS OTHERWISE SPECIFIED:

0	PLC	±
1	PLC	±
2	PLC	±
3	PLC	±
4	PLC ANGLES	±

DWN WILLIAM XU

CHK JANE WU

APVD RICK YAO

PRODUCT SPEC

APPLICATION SPEC

WEIGHT

CUSTOMER DRAWING

NAME

**STE** TE Connectivity Ltd.

RPIT INNER CONE PLUG-IN TERMINATION SIZE 3

SIZE A3

CAGE CODE 00779

DRAWING NO. 2259670

SCALE 1:1

SHEET 1 OF 1

REV 1