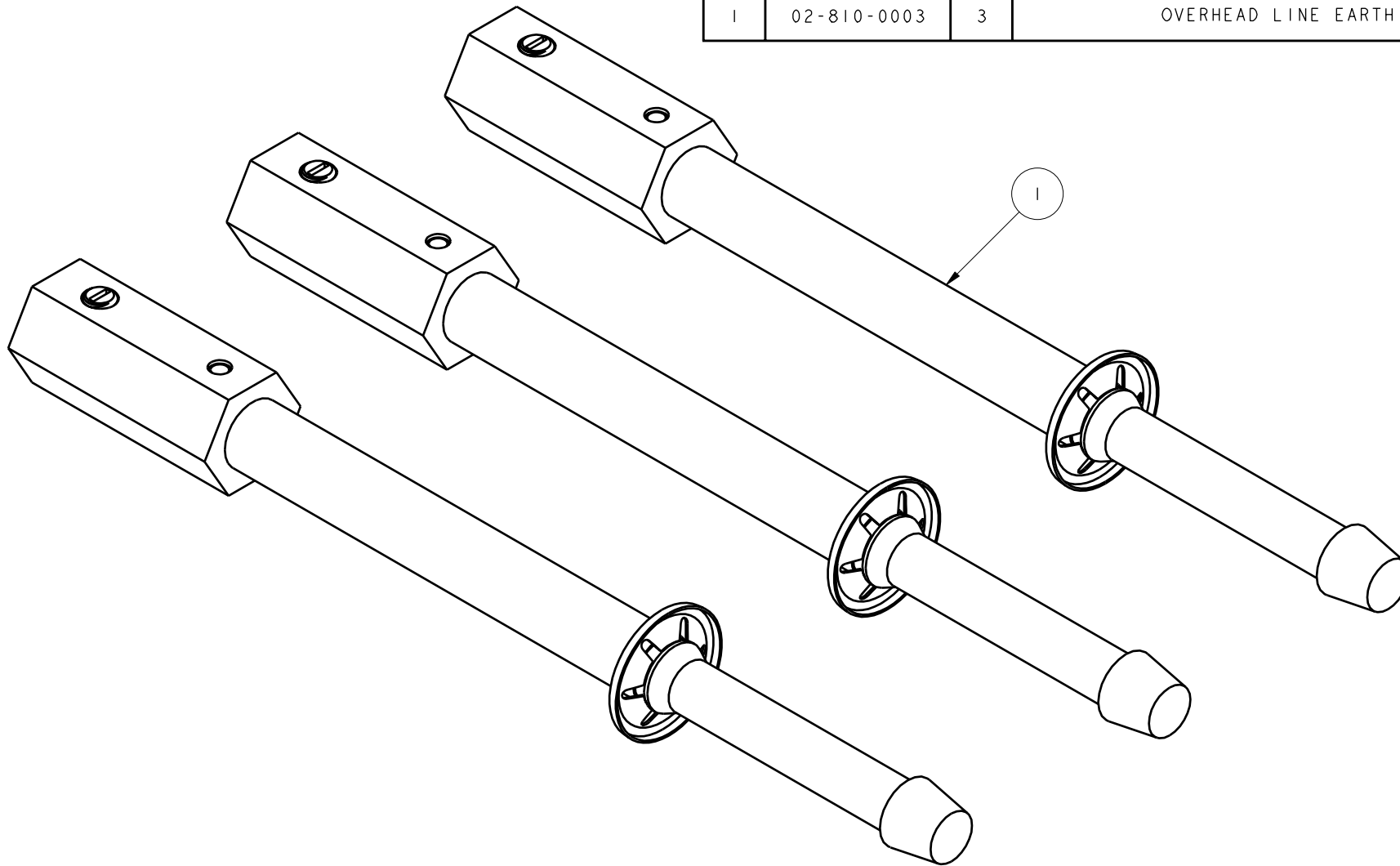


ITEM	PART/DRG NO	QTY	DESCRIPTION
1	02-810-0003	3	OVERHEAD LINE EARTHING PIN



C	'ITEM 2' STAINLESS STEEL SPRING WASHER 1/2" WHITWORTH REMOVED DRAWING NUMBER WAS 03-810-0004	BH-00091	05/09/05
B	'ITEM 1' MODIFIED, PART No WAS PEB-1 KIT, DRG No WAS A12-C04-A01	S.P.W	27.6.01
A	FIRST ISSUE	S.P.W	30.11.00
Revision	Description	Name/DMR	Date
Design/Drawn	S.P.WEST	Date.	23-Oct-00
		Scale (UOS)	1:1
PCN/RPN No	580084-000	Checked/Approved by	
Drawing/Part No.	02-810-0004	Drawing Type	ASSEMBLY/CUSTOMER
		THIRD ANGLE PROJECTION	Revision C



Tyco Electronics UK Ltd
Freebournes Road, Witham
Essex, CM8 3AH, UK.
Tel: +44 1376 509509
Fax: +44 1376 509511
<http://energy.tycoelectronics.com>

Material	VARIES
Finish	VARIES
Tolerances (UOS)	-
B&H Short Desc.	PEB-1

IF IN DOUBT ASK - DO NOT SCALE
Part Description
POLETOP EARTH PARKING BAR KIT

REMOVE ALL BURRS AND SHARP EDGES - SURFACES TO BE FREE FROM SCRATCHES AND DEFECTS - ALL THREADS TO BS3643 PT 2

© 2005 TYCO ELECTRONICS UK LTD. WITHAM. UK