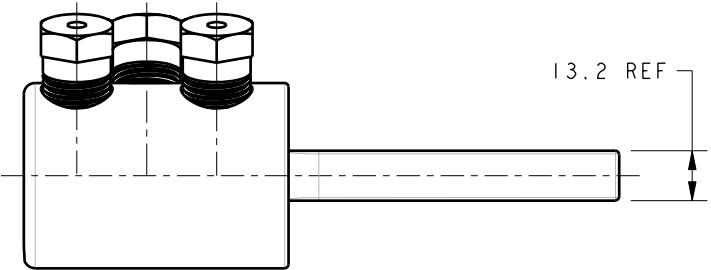
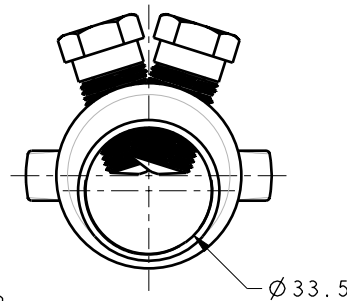
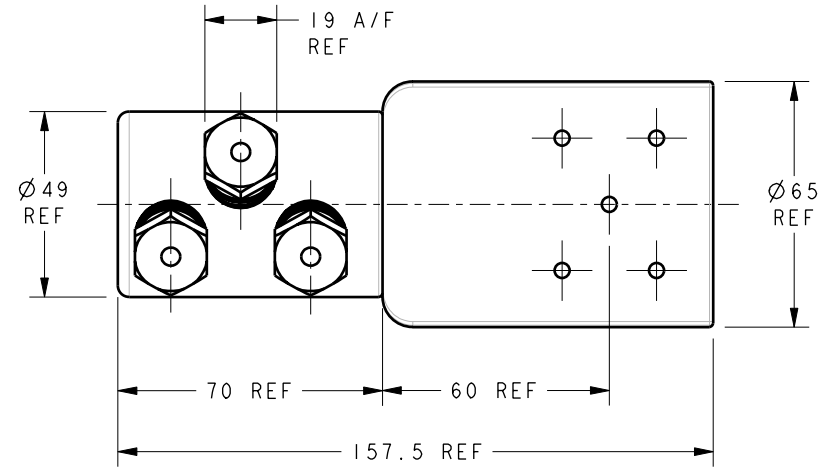
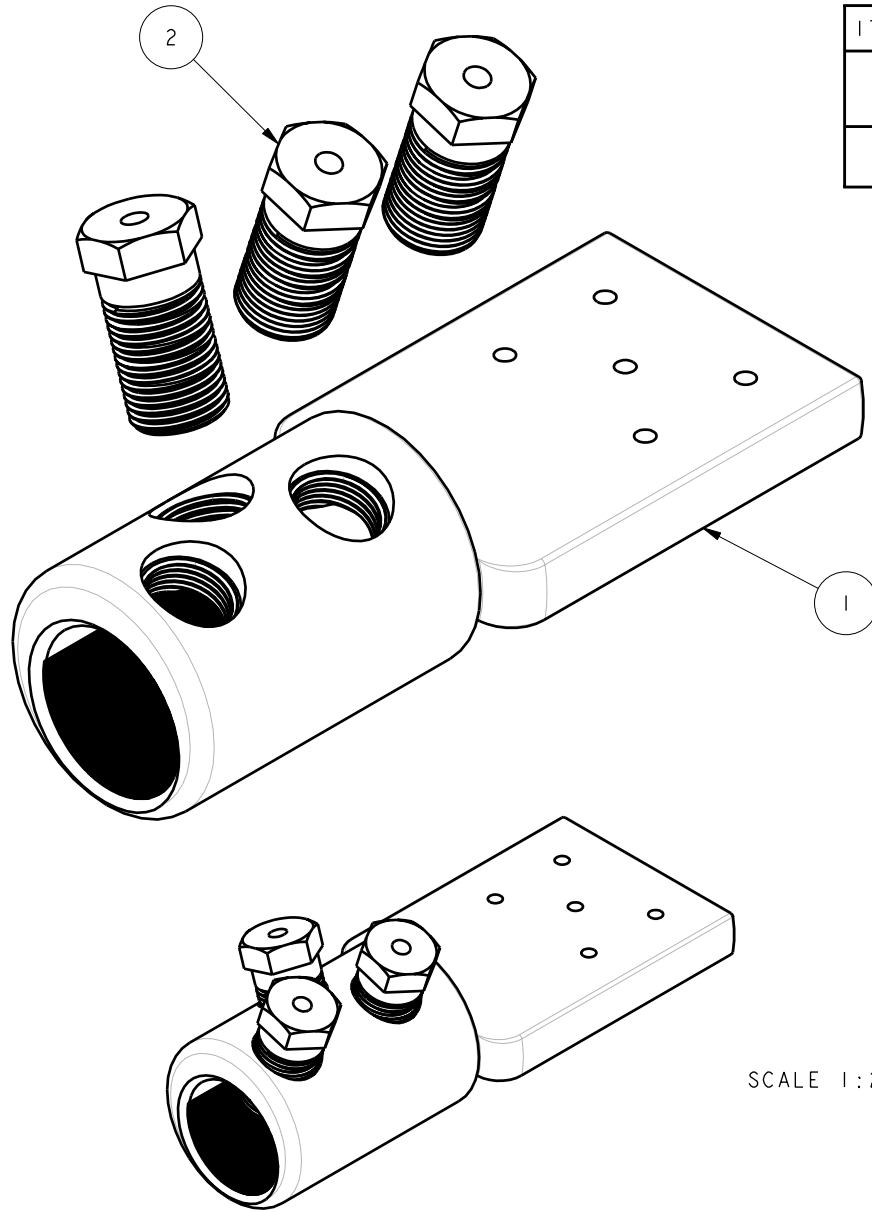


ITEM	PART/DRG NO	QTY	DESCRIPTION
1	01-403-0180	1	MV ALUMINIUM END TERMINATION BODY 49.0 O/D 33.5 I/D CENTRE PALM OVERHEAD TYPE BLANK
2	01-701-0061	3	M18x1.5 19 A/F 41.0 LONG BRASS MULTI-SHEAR BOLT (REMOVABLE)



SCALE 1:2

C	BAH-017010061 WAS BAH-017010010	BH-00157	20/03/06
B	PICTORIAL CHANGE ONLY - RAD 8 ON PALM WAS RAD 1	BH-00148	17/02/06
A	FIRST ISSUE	BH-00146	08/02/06
Revision	Description	Name/DMR	Date
Design/Drawn	D M EATON	Date.	08-Feb-06
PCN/RPN No	CA2103-000	Checked/Approved by	Scale (UOS) 3:4
Drawing/Part No.	02-403-0181	Drawing type	ASSEMBLY/CUSTOMER
		THIRD ANGLE PROJECTION	Revision C



Tyco Electronics UK Ltd  
Freebournes Road, Witham  
Essex, CM8 3AH, UK.  
Tel: +44 1376 509509  
Fax: +44 1376 509511  
<http://energy.tycoelectronics.com>

Material	VARIES
Finish	VARIES
Tolerances (UOS)	-
B&H Short Desc.	VETA330HBUTB

IF IN DOUBT ASK - DO NOT SCALE

Part Description  
MV ALUMINIUM END TERMINATION CONNECTOR  
49.0 O/D 33.5 I/D CENTRE PALM OVERHEAD  
TYPE BLANK c/w REMOVABLE MULTI-SHEAR BOLTS

REMOVE ALL BURRS AND SHARP EDGES - SURFACES TO BE FREE FROM SCRATCHES AND DEFECTS - ALL THREADS TO BS3643 PT 2

© 2006 TYCO ELECTRONICS UK LTD., WITHAM, UK