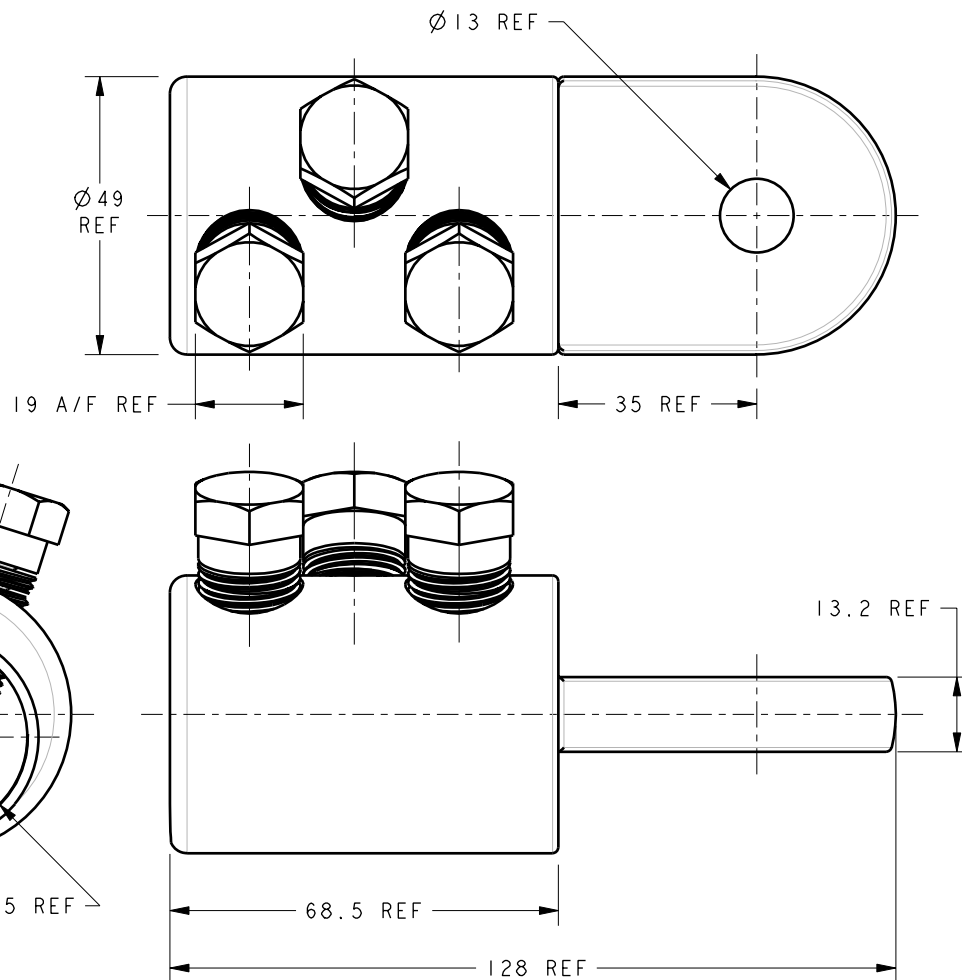
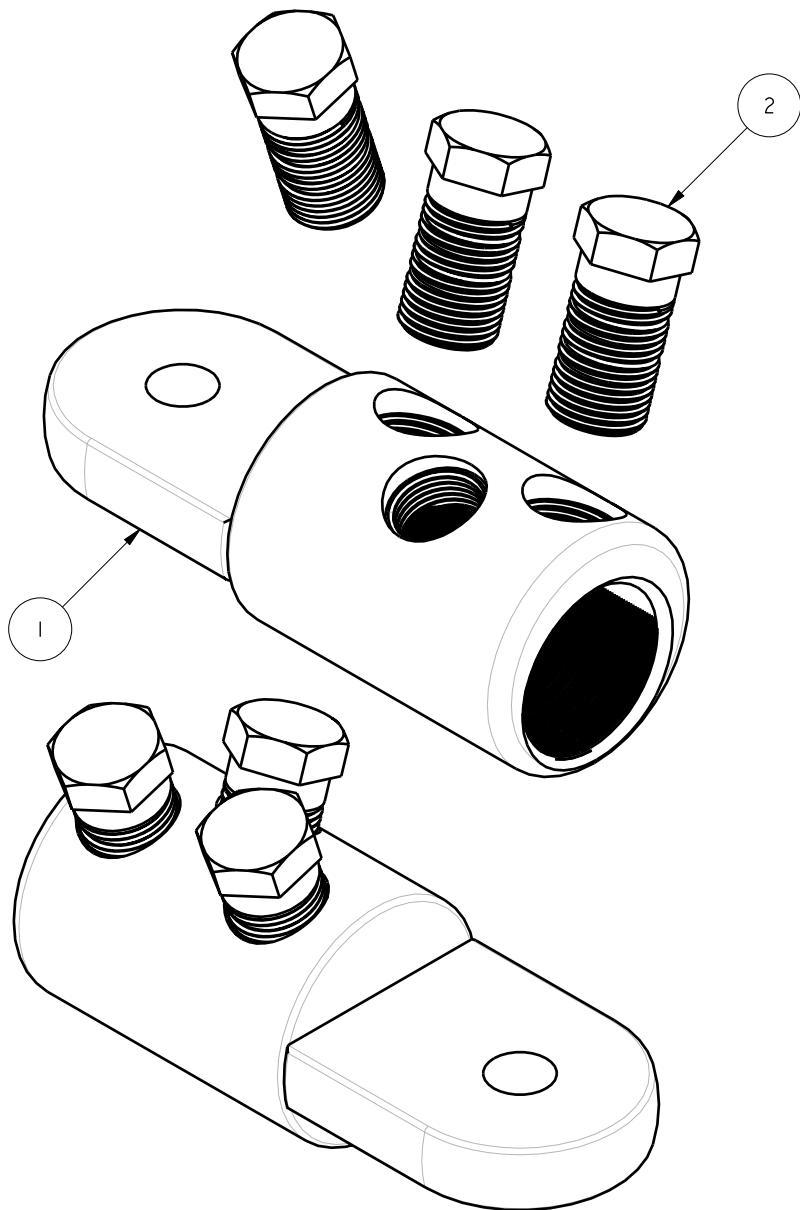


ITEM	PART/DRG NO	QTY	DESCRIPTION
1	01-403-0101	1	MV COPPER END TERMINATION BODY - 49.0 O/D 33.5 I/D CENTRE PALM WITH Ø13.0 HOLE
2	01-701-0010	3	M18x1.5 19 A/F 41.0 LONG BRASS MULTI-SHEAR BOLT



Tyco Electronics UK Ltd  
Freebournes Road, Witham  
Essex, CM8 3AH, UK.  
Tel: +44 1376 509509  
Fax: +44 1376 509511  
<http://energy.tycoelectronics.com>

Material	VARIABLES
Finish	VARIABLES
Tolerances (UOS)	-
B&H Short Desc.	VETC3312UTB

IF IN DOUBT ASK - DO NOT SCALE	
Part Description	MV COPPER END TERMINATION - 49.0 O/D 33.5 I/D CENTRE PALM WITH Ø13.0 HOLE c/w MULTI-SHEAR BOLTS

A	FIRST ISSUE	BH-00102	12/10/05
Revision	Description	Name/DMR	Date
Design/Drawn	D M EATON	Date:	12-Oct-05
PCN/RPN No	952966-000	Checked/Approved by	Scale (UOS) 3:4
Drawing/Part No.	02-403-0102	Drawing Type	ASSEMBLY/CUSTOMER
		THIRD ANGLE PROJECTION	Revision A 4

REMOVE ALL BURRS AND SHARP EDGES - SURFACES TO BE FREE FROM SCRATCHES AND DEFECTS - ALL THREADS TO BS3643 PT 2

© 2005 TYCO ELECTRONICS UK LTD. WITHAM. UK