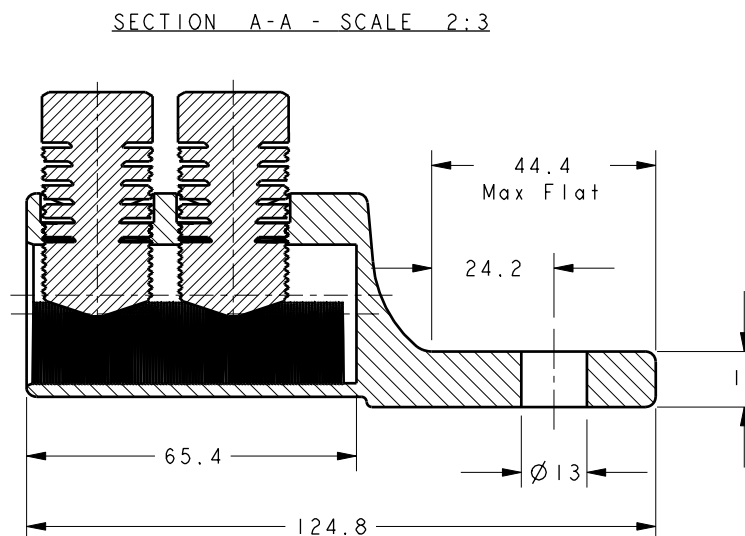
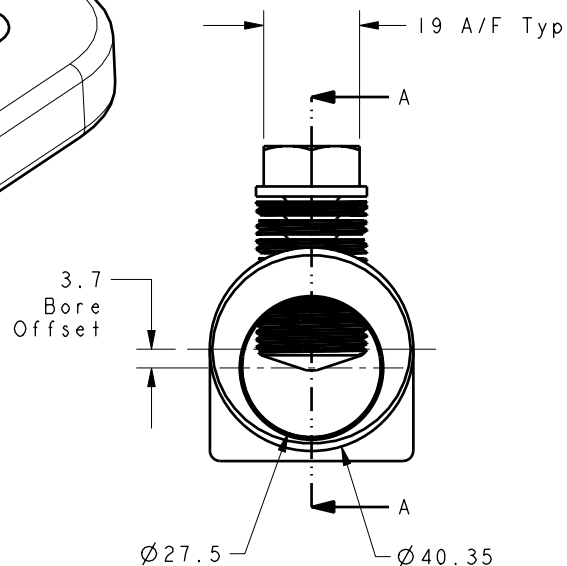
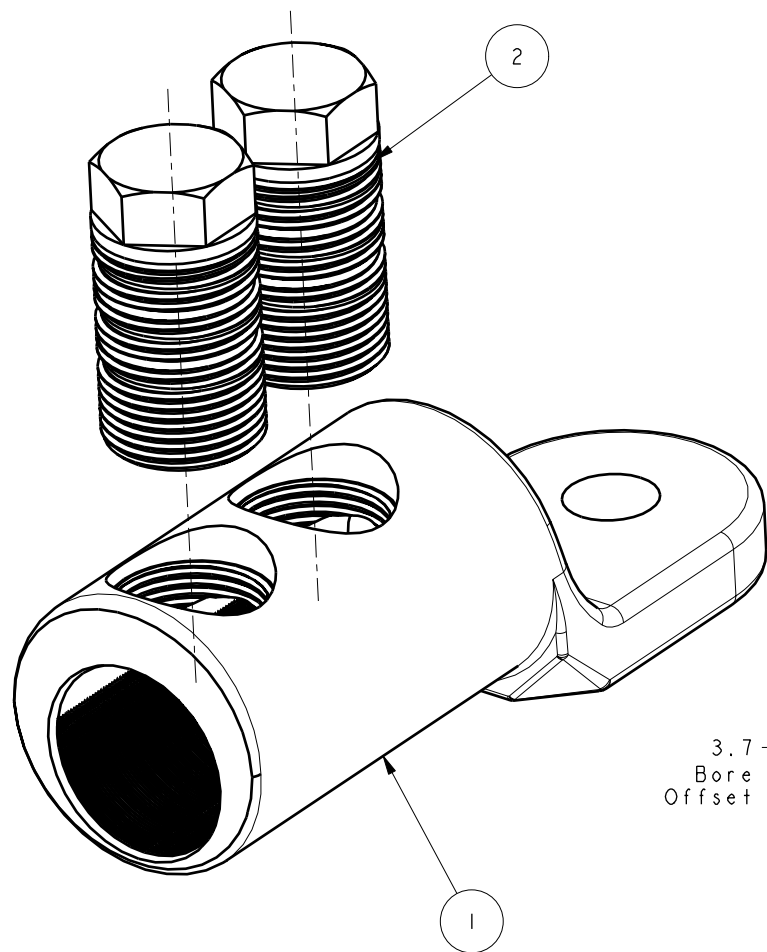


ITEM	PART/DRG NO	QTY	DESCRIPTION
1	01-403-0027	1	MV ALUMINIUM END TERMINATION BODY 40.35 O/D 27.5 I/D - OFFSET PALM WITH Ø13.0 HOLE
2	01-701-0029	2	M22x1.5 19 A/F 44.5 LONG BRASS MULTI-SHEAR BOLT



Issued to: Commercial	Quality	Stores	Production	A		FIRST ISSUE		S.P.W	8.10.03
				Revision	Description			Name	Date
				Design/Drawn	S.P.WEST	Date	08-Oct-03	Scale	1:1 (UOS)
				Checked by	Approved by			 THIRD ANGLE PROJECTION	A4 Revision A
				Drawing/Part No.	02-403-0031				

REMOVE ALL BURRS AND SHARP EDGES - ALL THREADS TO BS3643 PT 2 © THIS DRAWING IS COPYRIGHT AND IS ISSUED ON THE STRICT UNDERSTANDING THAT IT IS NOT REPRODUCED, COPIED OR DISCLOSED TO A THIRD PARTY WITHOUT THE CONSENT IN WRITING OF TYCO ELECTRONICS