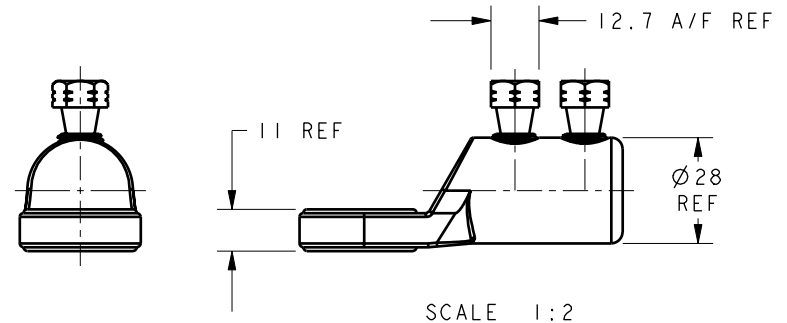
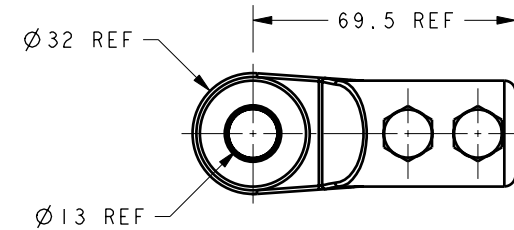
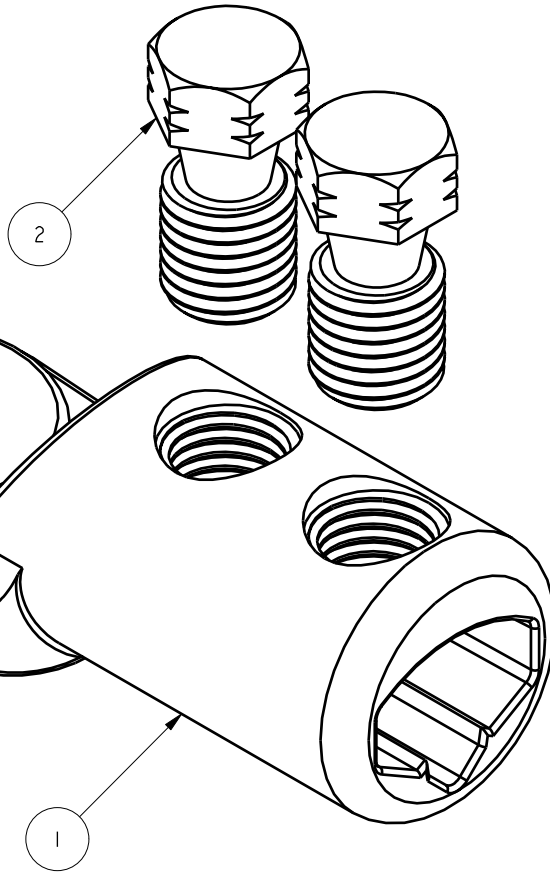


SCALE 1:2

| ITEM | PART/DRG NO | QTY | DESCRIPTION   |
|------|-------------|-----|---|
| 1    | 01-402-0027 | 1   | LV ALUMINIUM END TERMINATION BODY WITH SECTORAL BORE TO SUIT 120mm <sup>2</sup> - OFFSET PALM WITH Ø13.0 HOLE |
| 2    | 01-700-0055 | 2   | M12x1.5 13 A/F 28.0 LONG ALUMINIUM SINGLE-SHEAR BOLT  |



SCALE 1:2



Tyco Electronics UK Ltd  
 Freebournes Road, Witham  
 Essex, CM8 3AH, UK.  
 Tel: +44 1376 509509  
 Fax: +44 1376 509511  
<http://energy.tycoelectronics.com>

|                  |                        |
|------------------|------------------------|
| Material         | VARIES                 |
| Finish           | VARIES                 |
| Tolerances (UOS) | -                      |
| B&H Short Desc.  | LVET12012(SECT)/AG2M12 |

|  |  |
|--|--|
| IF IN DOUBT ASK - DO NOT SCALE                           |  |
| Part Description   |  |
| LV ALUMINIUM END TERMINATION CONNECTOR                   |  |
| - 28.0 O/D WITH SECTORAL BORE TO SUIT 120mm <sup>2</sup> |  |
| - OFFSET PALM WITH Ø13.0 HOLE (AG2M12)                   |  |

|                     |             |                        |                   |
|---------------------|-------------|------------------------|-------------------|
| A                   | FIRST ISSUE | BH-00045               | 14/04/05          |
| Revision            | Description | Name/DMR               | Date              |
| Design/Drawn        | D M EATON   | Date.                  | 14-Apr-05         |
| PCN/RPN No          | 016338-000  | Scale (UOS)            | 3:2               |
| Checked/Approved by |             | THIRD ANGLE PROJECTION | A 4               |
| Drawing/Part No.    | 02-402-0028 | Drawing Type           | ASSEMBLY/CUSTOMER |
|                     |             | Revision               | A                 |