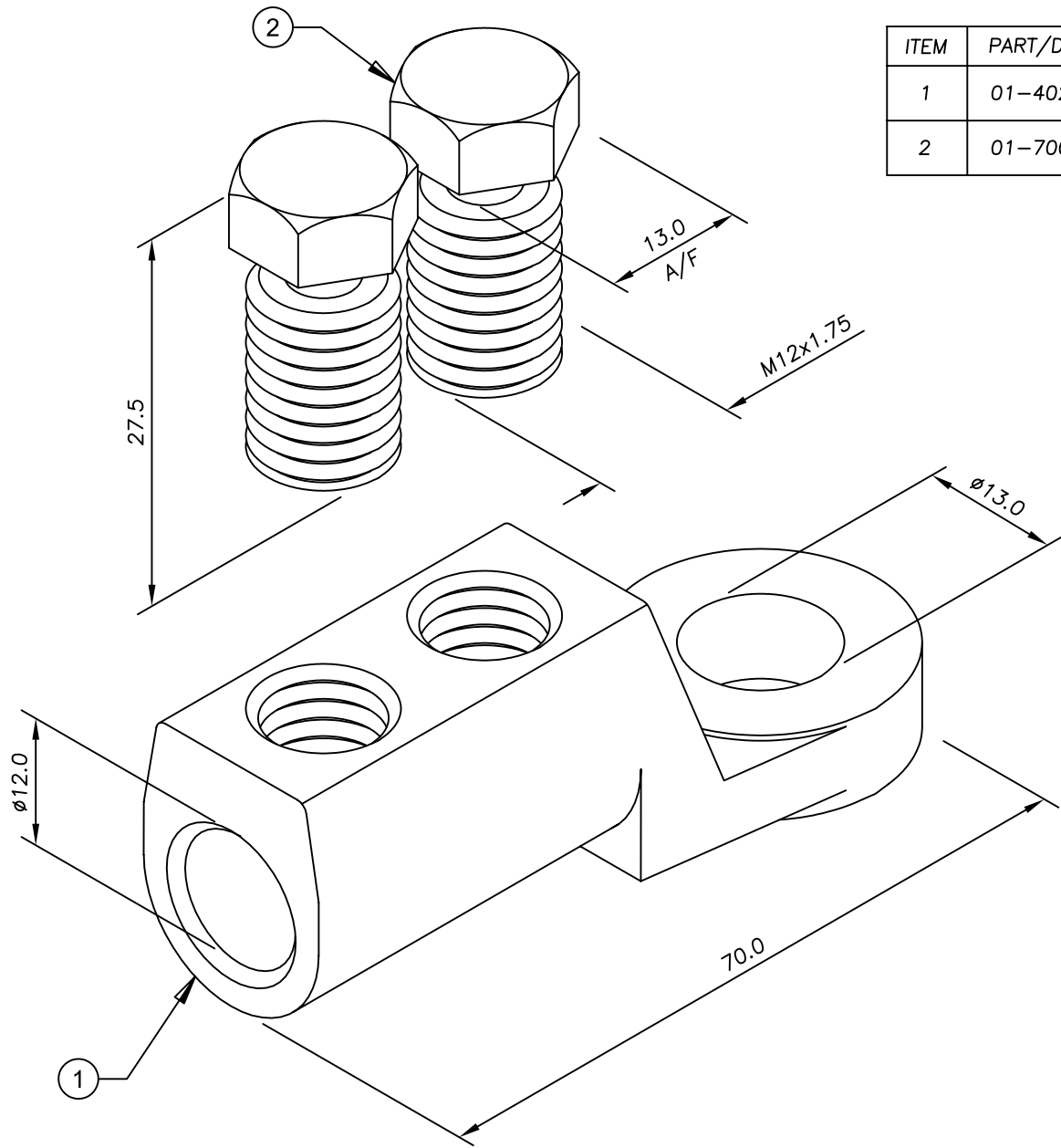


ITEM	PART/DRG NO.	QTY.	DESCRIPTION
1	01-402-0079	1	LV BRASS END TERMINATION BODY - Ø12.0 BORE - OFFSET PALM WITH Ø13.0 HOLE
2	01-700-0042	2	M12x1.75 13 A/F 27.5 LONG BRASS SINGLE-SHEAR BOLT



Issued to: Commercial Quality Stores Production

tyco
Electronics
Energy Division

B&H
Middlemore Lane West,
Redhouse Ind. Est. Aldridge,
West Midlands WS9 8EA
Phone: +44(0)1922 744144
Fax: +44(0)1922 744150

Material VARIES	Part Description LV BRASS END TERMINATION - Ø12.0 BORE - OFFSET PALM WITH Ø13.0 HOLE & M12 13 A/F SHEAR BOLTS
Finish NATURAL	
Tolerances (UOS) ±0.3	
Remove all Burrs and Sharp Edges All Threads to BS3643 Pt 2	

B	PART No WAS BET60-12, DRG No WAS E18-B01-A03	S.P.W	22.1.02
A	FIRST ISSUE	S.P.W	7.12.00
Revision	Description	Name	Date
Design/Drawn	S.P.WEST	Date.	7 DEC 2000
		Scale (UOS)	1.5:1
Checked by		Approved by	
Drawing/Part No.	02-402-0011	Drawing Type	ASSEMBLY
		Revision.	B